

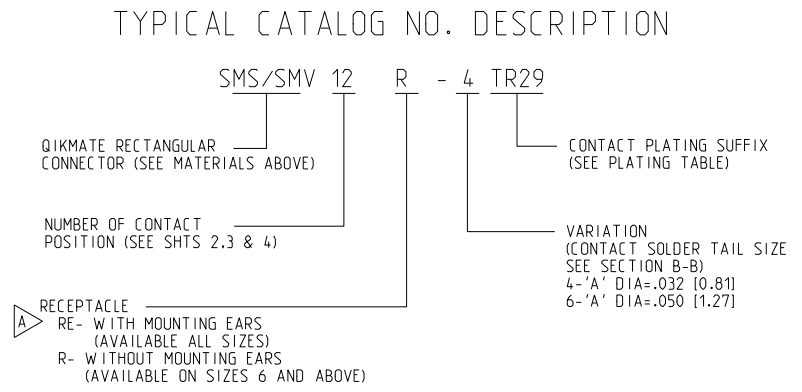
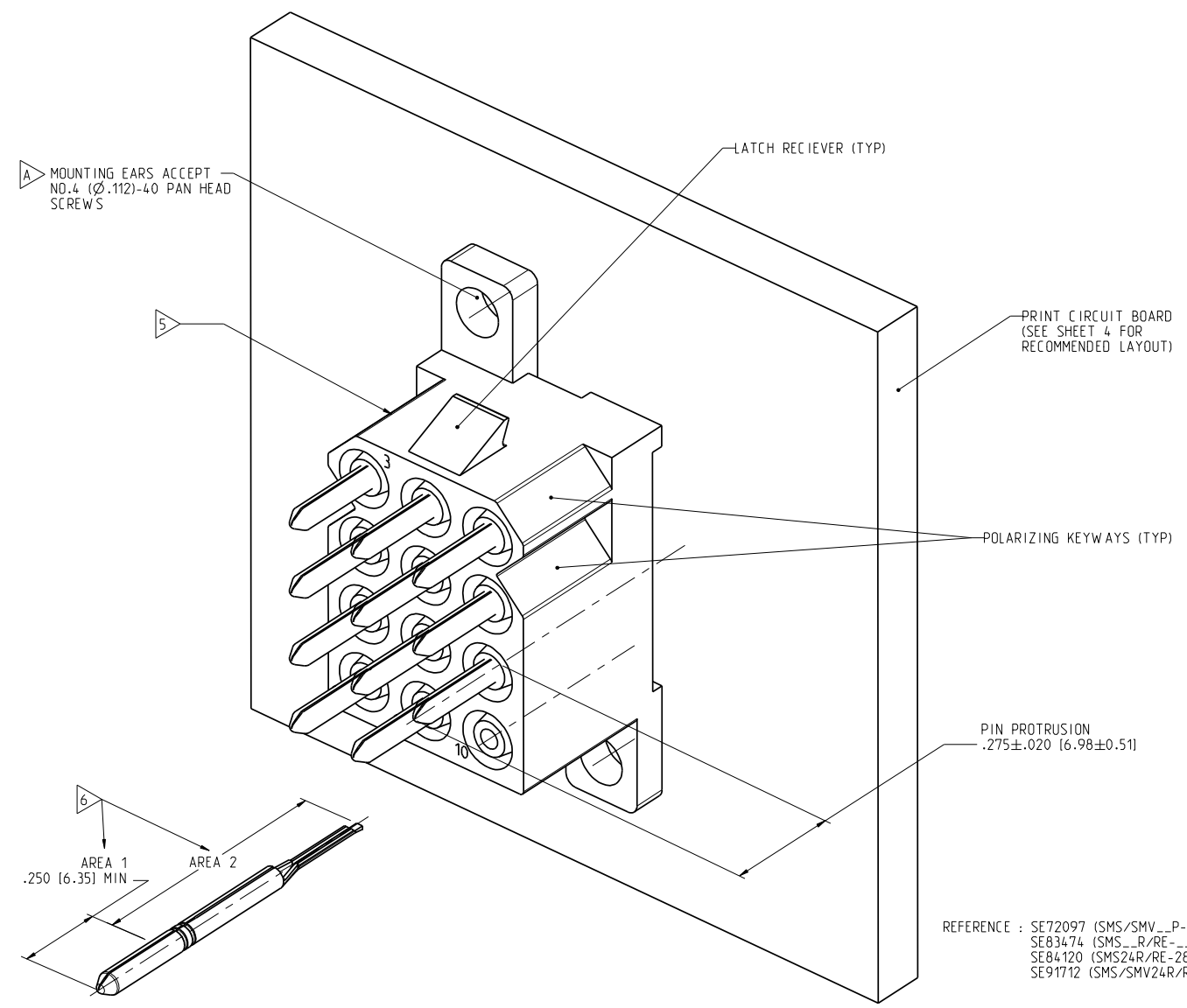
THIS DRAWING IS A CONTROLLED DOCUMENT FOR SOURIAU USA, INC. CONTACT THE DOCUMENT CONTROL CENTER FOR THE LATEST REVISION.

THE INFORMATION CONTAINED IN THIS DRAWING IS CONFIDENTIAL AND MAY NOT BE DISCLOSED WITHOUT WRITTEN CONSENT FROM SOURIAU USA, INC.

4		
DWG. NO.	TABLE-2: CONTACT PLATING	
SE81873		
CONTACT MATERIAL	PLATING SUFFIX	PLATING DESCRIPTION
PHOSPHOR BRONZE	TR29	TIN-ALLOY PREPLATED
BRASS-CA260	TW4	TIN-ALLOY POST-PLATED
	D70	.000050 [0.00013] MIN GOLD OVER .0000750 [0.00190] MIN NICKEL
	S2	AREA 1 .000050 [0.00127] MIN GOLD OVER .000200 [0.00508] MIN NICKEL
		AREA 2 .000050 [0.00013] MIN GOLD OVER .000200 [0.00508] MIN NICKEL
	S4	AREA 1 .000050 [0.00127] MIN GOLD OVER .000075 [0.00190] MIN NICKEL
		AREA 2 .00005 [0.00013] MIN GOLD OVER .000075 [0.00190] MIN NICKEL
S5	AREA 1 .000030 [0.00076] MIN GOLD OVER .000075 [0.00190] MIN NICKEL	
	AREA 2 .00005 [0.00013] MIN GOLD OVER .000075 [0.00190] MIN NICKEL	

3			
TABLE-1 CONNECTOR BODY MATERIAL			
PART NO.	MATERIAL	SPECIFICATION	COLOR
SMS__R/RE-_____	NYLON 6/6	ASTM-D4066-01A UL94-V2	BLACK
SMV__R/RE-_____		UL94-V0	

- NOTES: UNLESS OTHERWISE SPECIFIED.
- CONTACT IDENTIFICATION APPEARS ON MATING FACE ONLY.
 - ORIENTATION OF SOLDER TAILS MAY DIFFER FROM ILLUSTRATION.
 - THIS CONNECTOR MATES WITH SOURIAU CATALOG NO. SMS/SMV__P-1 SEE SE72097.
 - CANADIAN STANDARD ASSN (CSA) SYMBOL MAY APPEAR ON TERMINATION SIDE OF CONNECTOR.
 - CONNECTOR BODY MATERIAL PER TABLE-1
 - SEE CONTACT PLATING PER TABLE-2



K	REVISED PER ECN 10853	SCP 05-05-09	NPP 05-05-09
9	REDRAWN ON CAD TO 'E' SIZE, SHTS 2.3 & 4 .525±.015 WAS .52 AND .275±.015 WAS .27 FOR ALL SIZES (ECN3129)	DET 10-24-94	PEP 10-24-94
REV	DESCRIPTION	BY DATE	CHKD DATE

LINEAR MEASURE:	
THIRD ANGLE PROJECTION	
TOLERANCES UNLESS OTHERWISE SPECIFIED	
No. OF PLACES	INCH [mm]
ONE PLACE	±.1 [±3]
TWO PLACES	±.02 [±0.5]
THREE PLACES	±.010 [±0.25]
ANGLES±1°	

DRAWING TITLE
BOARD MOUNT QIKMATE RECTANGULAR CONNECTOR

CAT NO. **SMS/SMV-R/RE- (SEE TABLE)**

CAGE NO: 09922 SIZE: C

CUSTOMER

INTERPRET THIS DRAWING IN ACCORDANCE WITH ASME Y14.5M - 1994.

SOURIAU
Conversion Technology
www.souriau.com

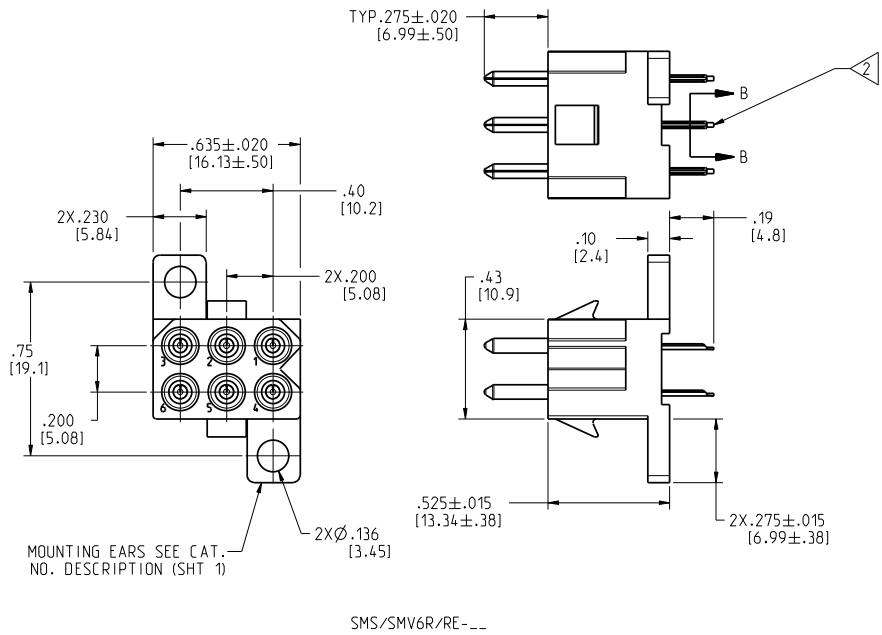
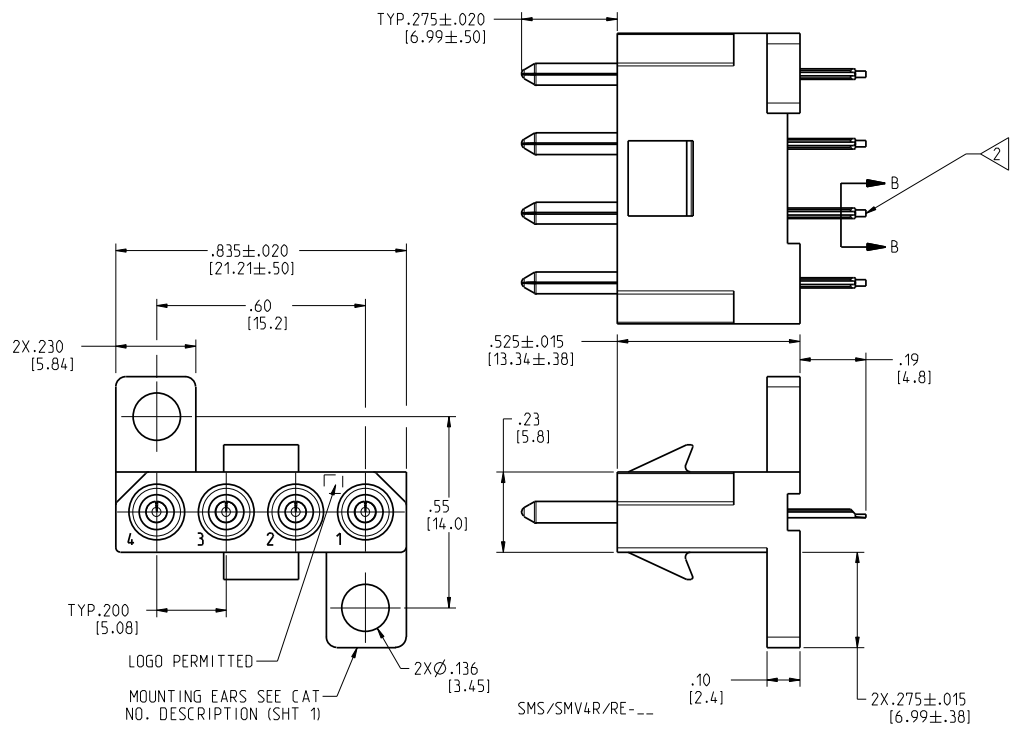
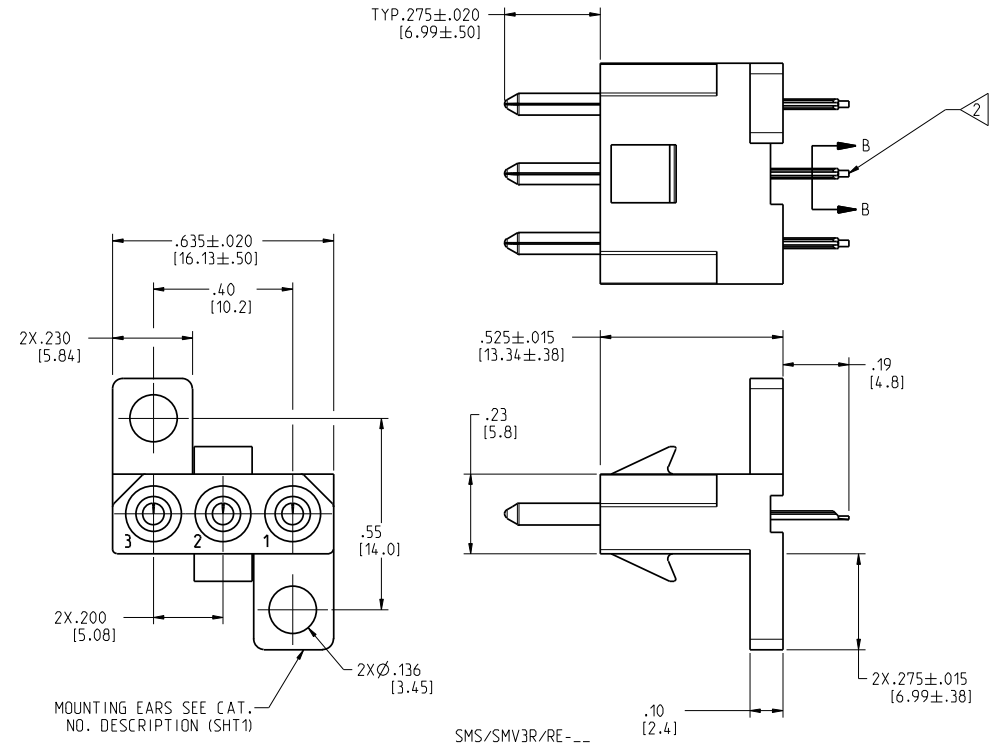
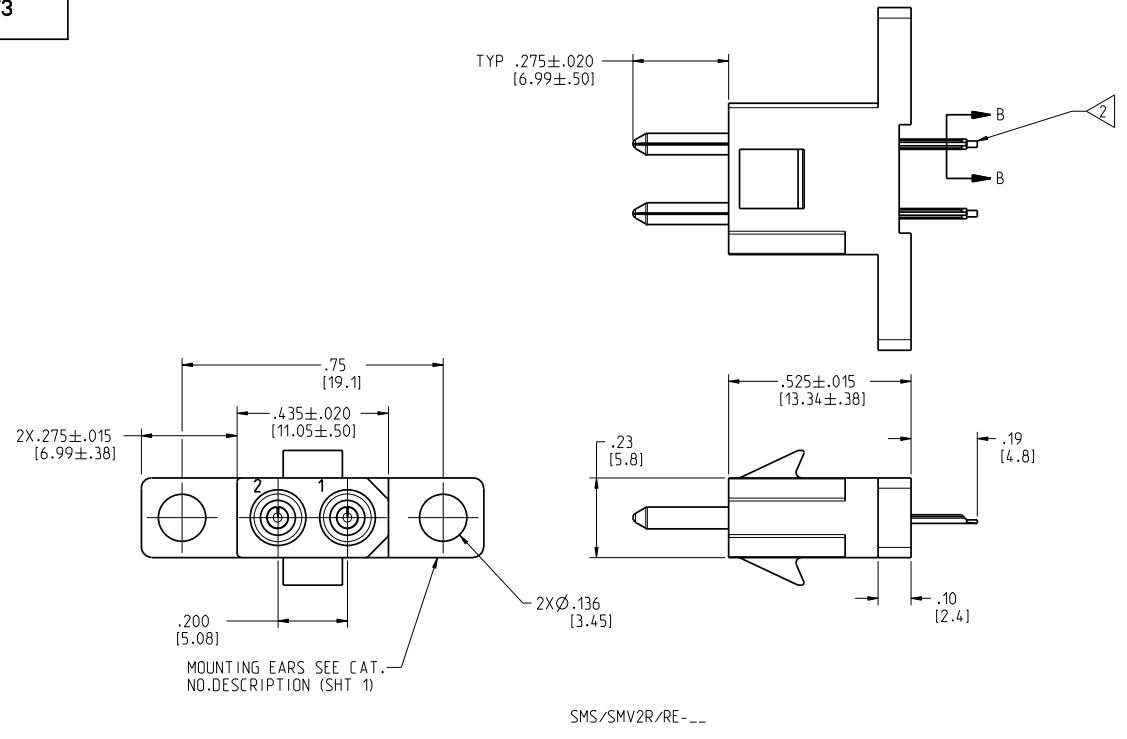
DRAWN: SCP	05-05-09
CHKD: NP	05-05-09
DSGN: DL	12-20-78
MFG: DH	05-05-09
QC: BB	05-05-09
DRAWING SCALE: 3:1	
DRAWING NO.	REV
SE81873	K
1 OF 4	

REFERENCE : SE72097 (SMS/SMV__P-1)
SE83474 (SMS__R/RE-__)
SE84120 (SMS24R/RE-2856)
SE91712 (SMS/SMV24R/RE-45_____)

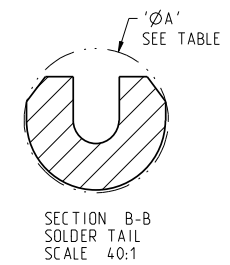
SUPERSEDES: SD81873-8

DWG. NO.
SE81873

THIS DRAWING IS A CONTROLLED DOCUMENT FOR SOURIAU USA, INC. CONTACT THE DOCUMENT CONTROL CENTER FOR THE LATEST REVISION.



THE INFORMATION CONTAINED IN THIS DRAWING IS CONFIDENTIAL AND MAY NOT BE DISCLOSED WITHOUT WRITTEN CONSENT FROM SOURIAU USA, INC.



CATALOG NO.	DIAMETER "A"
SMS/SMV_R/RE-4---	.032 [0.81]
SMS/SMV_R/RE-6---	.050 [1.27]

LINEAR MEASURE:	<input type="checkbox"/> INCH [mm]	<input type="checkbox"/> INCH [mm]
THIRD ANGLE PROJECTION		
TOLERANCES UNLESS OTHERWISE SPECIFIED		
No. OF PLACES	INCH [mm]	
ONE PLACE	±.1 [±3]	
TWO PLACES	±.02 [±0.5]	
THREE PLACES	±.010 [±0.25]	
ANGLES ±1°		

ALL REVISIONS SEE SHEET-1		-	-
REV	DESCRIPTION	BY DATE	CHKD DATE
DRAWING TITLE			
BOARD MOUNT QIKMATE RECTANGULAR CONNECTOR			
CAT NO. SMS/SMV_R/RE- (SEE TABLE)			
CAGE NO: 09922	SIZE: C		
CUSTOMER			
INTERPRET THIS DRAWING IN ACCORDANCE WITH ASME Y14.5M - 1994.		www.souriau.com	
DRAWN: SCP	05-05-09		
CHKD: NP	05-05-09		
DSGN: DL	12-20-78		
MFG: DH	05-05-09		
QC: BB	05-05-09		
DRAWING SCALE: 3:1			
DRAWING NO. SE81873		REV K	
2 OF 4			

4

3

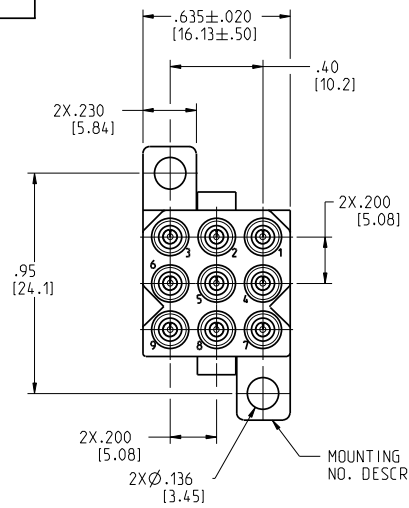
2

1

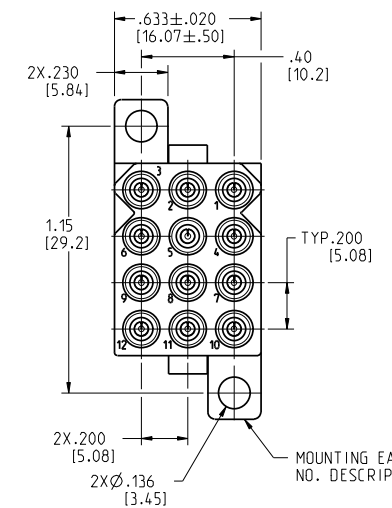
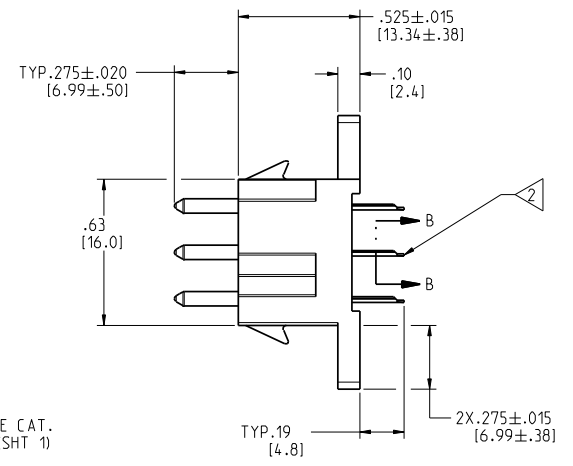
PRO-E

THIS DRAWING IS A CONTROLLED DOCUMENT FOR SOURIAU USA, INC. FOR THE LOCATION OF THE DOCUMENT CENTER FOR THE LATEST REVISION. CONTACT THE DOCUMENT CENTER FOR THE LATEST REVISION.

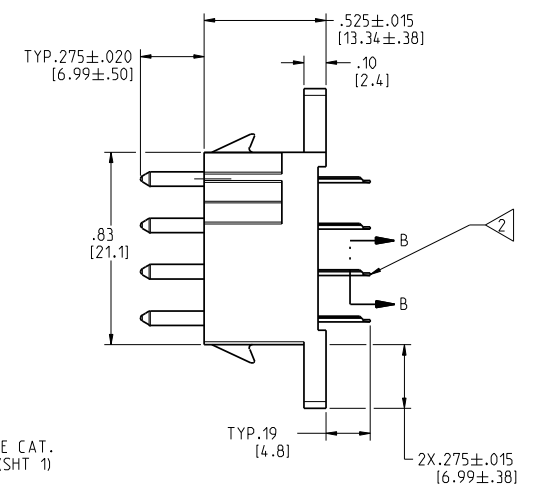
DWG. NO.
SE81873



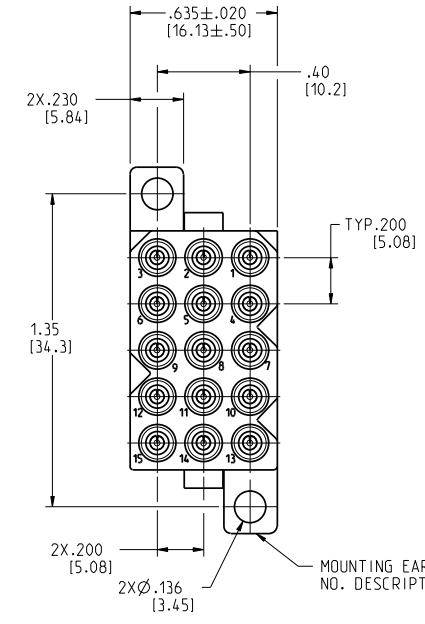
MOUNTING EARS SEE CAT. NO. DESCRIPTION (SHT 1)
SMS/SMV9R/RE---



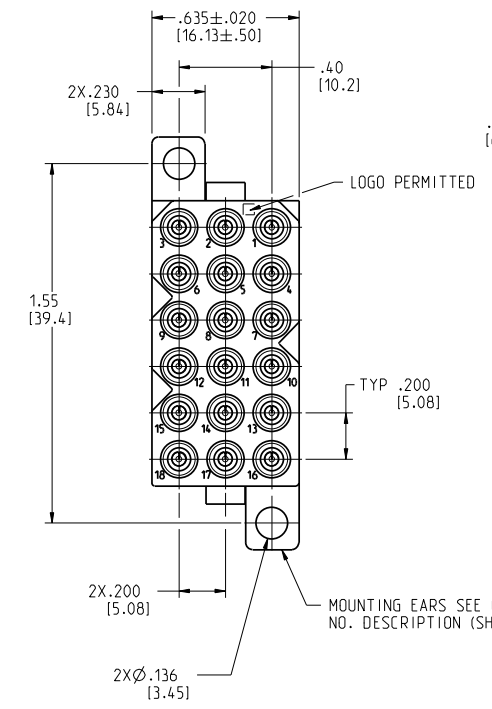
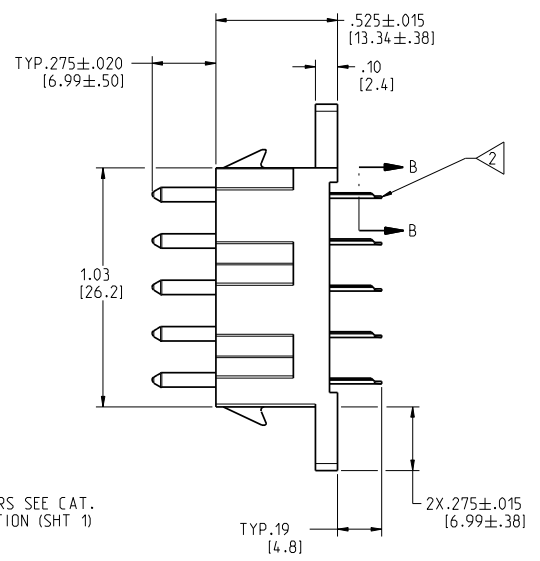
MOUNTING EARS SEE CAT. NO. DESCRIPTION (SHT 1)
SMS/SMV12R/RE---



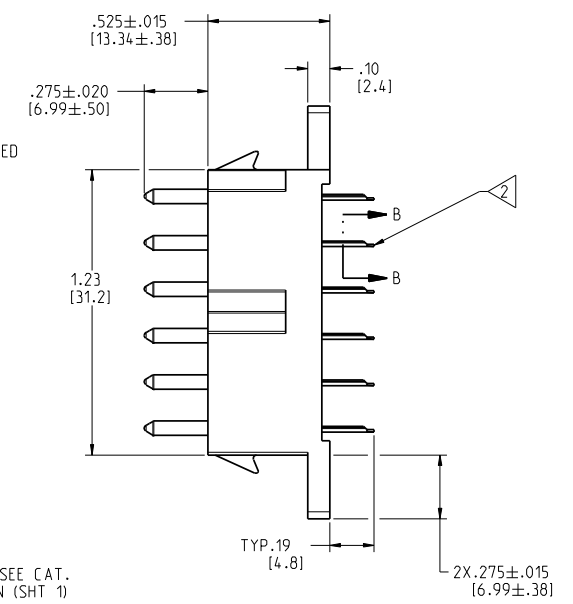
C



MOUNTING EARS SEE CAT. NO. DESCRIPTION (SHT 1)
SMS/SMV15R/RE---



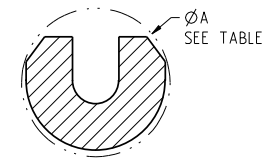
SMS/SMV18R/RE---



B

B

THE INFORMATION CONTAINED IN THIS DRAWING IS CONFIDENTIAL AND MAY NOT BE DISCLOSED WITHOUT WRITTEN CONSENT FROM SOURIAU USA, INC.



SECTION B-B
SOLDER TAIL
SCALE 40:1

CATALOG NO.	DIAMETER "A"
SMS/SMV__R/RE-4---	.032 [0.81]
SMS/SMV__R/RE-6---	.050 [1.27]

LINEAR MEASURE:	<input type="checkbox"/> INCH [mm]	<input type="checkbox"/> INCH [mm]
THIRD ANGLE PROJECTION		
TOLERANCES UNLESS OTHERWISE SPECIFIED		
No. OF PLACES	INCH [mm]	
ONE PLACE	±.1 [±3]	
TWO PLACES	±.02 [±0.5]	
THREE PLACES	±.010 [±0.25]	
ANGLES	±1°	

ALL REVISIONS SEE SHEET-1			
REV	DESCRIPTION	BY DATE	CHKD DATE
DRAWING TITLE			
BOARD MOUNT QIKMATE RECTANGULAR CONNECTOR			
CAT. NO. SMS/SMV__R/RE- (SEE TABLE)			
CAGE NO: 09922	SIZE: C		
CUSTOMER			
INTERPRET THIS DRAWING IN ACCORDANCE WITH ASME Y14.5M - 1994.		www.souriau.com	
DRAWN: SCP	05-05-09		
CHKD: NP	05-05-09		
DSGN: DL	12-20-78		
MFG: DH	05-05-09		
QC: BB	05-05-09		
DRAWING SCALE: 2:1			
DRAWING NO. SE81873		REV K	
3 OF 4			

A

4

3

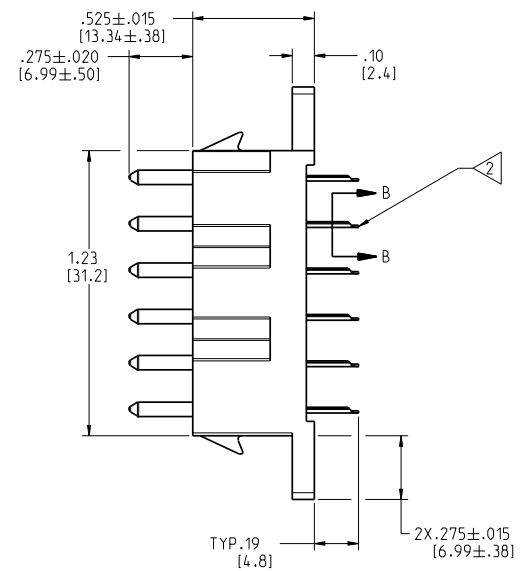
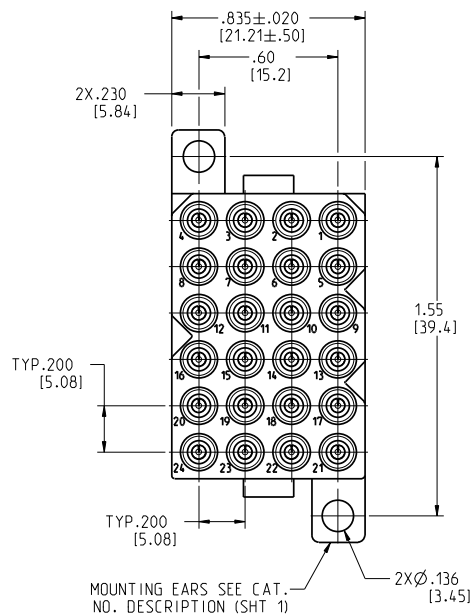
2

1

PRO-E

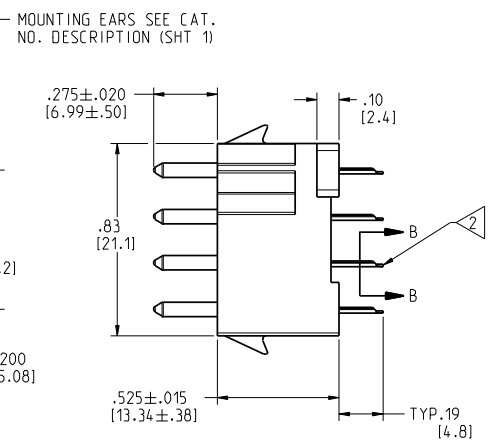
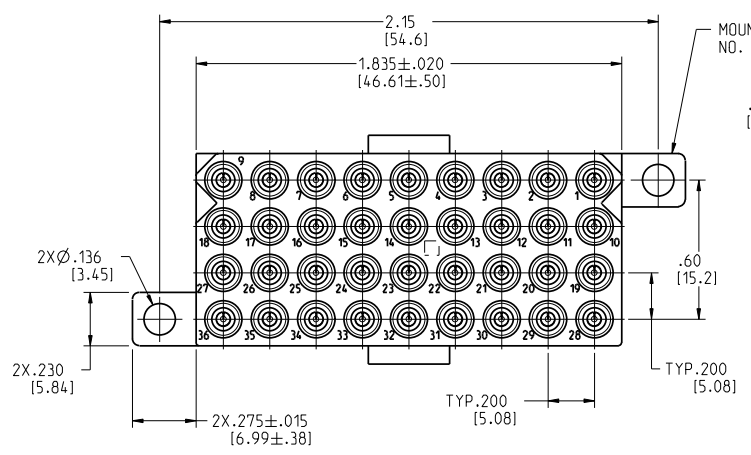
DWG. NO.
SE81873

THIS DRAWING IS A CONTROLLED DOCUMENT FOR SOURIAU USA, INC. CONTACT THE DOCUMENT CONTROL CENTER FOR THE LATEST REVISION.



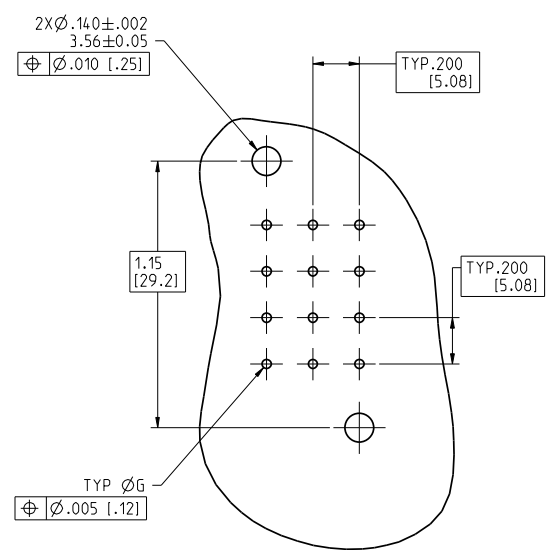
MOUNTING EARS SEE CAT. NO. DESCRIPTION (SHT 1)

SMS/SMV24R/RE---



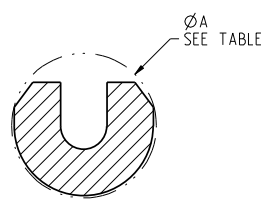
MOUNTING EARS SEE CAT. NO. DESCRIPTION (SHT 1)

SMS/SMV36R/RE----



TYP RECOMMENDED PRINT CIRCUIT BOARD LAY OUT (12 POSITION SHOWN)

CATALOG NO.	"ØG ±.002[0.05]
SMS/SMV_R/RE-4---	.047 [1.9]
SMS/SMV_R/RE-6---	.067 [1.70]



SECTION B-B
SOLDER TAIL
SCALE 40:1

CATALOG NO.	DIAMETER 'A'
SMS/SMV_R/RE-4---	.032 [0.81]
SMS/SMV_R/RE-6---	.050 [1.27]

REV	DESCRIPTION	BY DATE	CHKD DATE
-	ALL REVISIONS SEE SHEET-1	-	-

BOARD MOUNT QIKMATE RECTANGULAR CONNECTOR

CAT NO. **SMS/SMV_R/RE- (SEE TABLE)**

LINEAR MEASURE:	INCH [mm]
THIRD ANGLE PROJECTION	
TOLERANCES UNLESS OTHERWISE SPECIFIED	
ONE PLACE	±.1 [±3]
TWO PLACES	±.02 [±0.5]
THREE PLACES	±.010 [±0.25]
ANGLES	±1°

CAGE NO: 09922 SIZE: C
CUSTOMER

INTERPRET THIS DRAWING IN ACCORDANCE WITH ASME Y14.5M - 1994.

www.souriau.com

APPROVAL	DATE
DRAWN: SCP	05-05-09
CHKD: NP	05-05-09
DSGN: DL	12-20-09
MFG: DH	05-05-09
QC: BB	05-05-09
DRAWING SCALE: 1:1	
DRAWING NO.	REV
SE81873	K
4 OF 4	

THE INFORMATION CONTAINED IN THIS DRAWING IS CONFIDENTIAL AND MAY NOT BE DISCLOSED WITHOUT WRITTEN CONSENT FROM SOURIAU USA, INC.

4

3

2

1

PRO-E