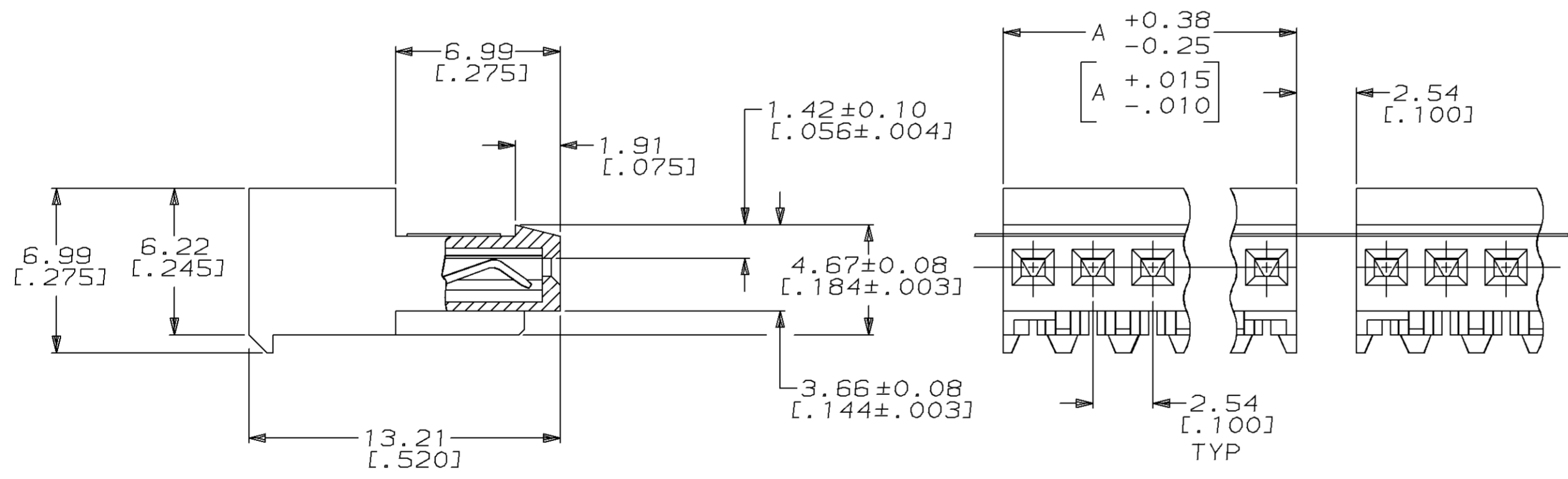
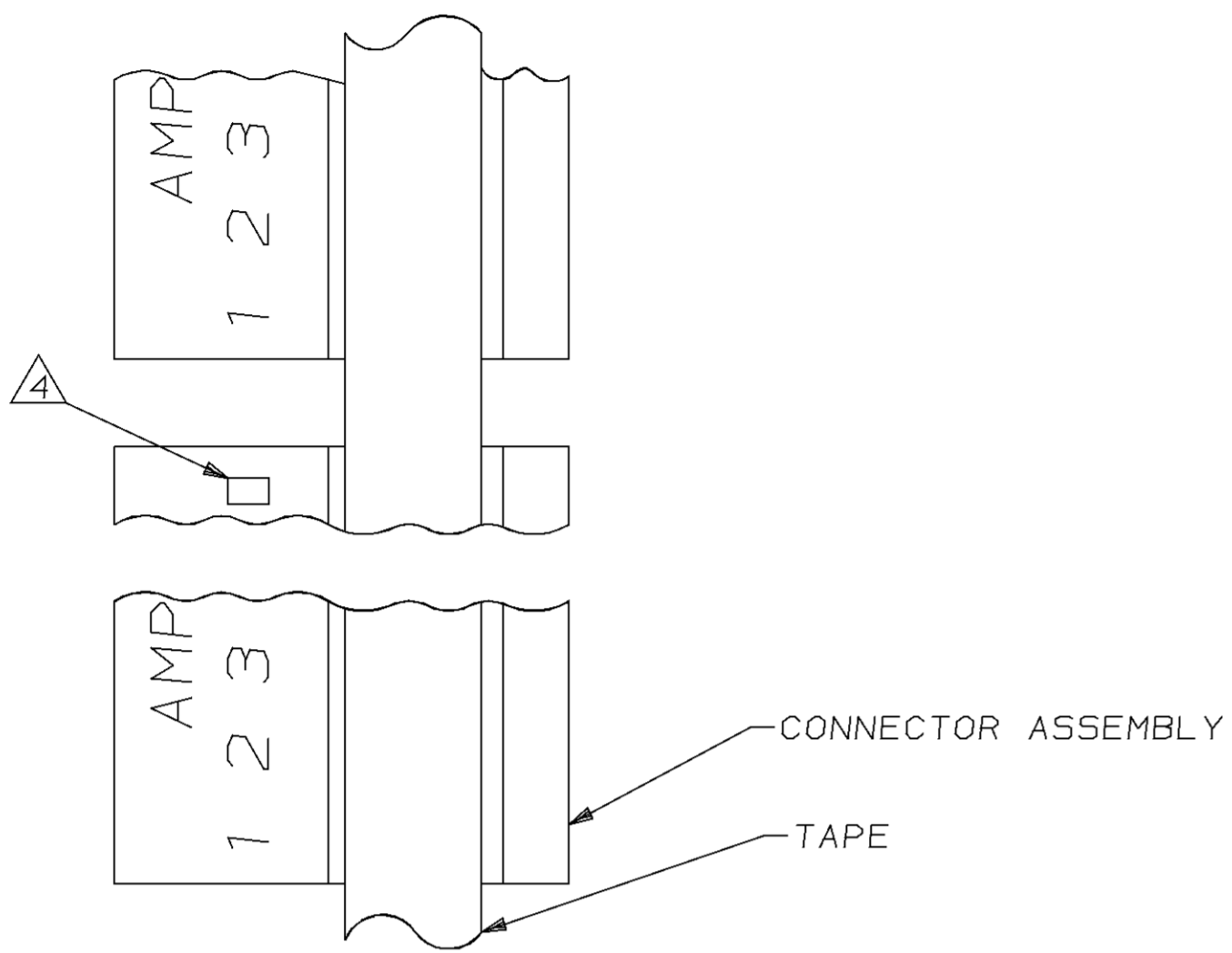


THIS DRAWING IS UNPUBLISHED. RELEASED FOR PUBLICATION ,19 .
 © COPYRIGHT 19 BY AMP INCORPORATED. ALL INTERNATIONAL RIGHTS RESERVED.

LOC		DIST		P		F		ZONE		LTR		REVISIONS		DATE	APPD
CM	54												F REACT -12 PER EC 0730-0178-95	10-24-95	RV

- 1 MATERIAL: CONNECTOR - NYLON UL94V-2 (BLUE).
CONTACTS - 0.30[.012] THICK COPPER ALLOY
(0.00038 [.000015] GOLD)
- 2. CONTACTS ACCEPT 26 AWG WIRE WITH 1.52[.060] MAX INSULATION DIAMETER.
- 3. CONTACTS MUST ACCEPT 0.64±0.03[.025±.001] SQUARE POST AND REMAIN LOCKED IN POSITION.
- 4 IDENTIFICATION NUMBER FOR LAST CIRCUIT MAY NOT APPEAR ON ALL ASSEMBLIES.
- 5. DIMENSIONS IN BRACKETS ARE IN INCHES.
- 6. HOUSING FEATURES ARE: CLOSED END WITH LOCKING RAMP.



DIM A	NO OF CIRCUITS	PART NO
30.48 [1.200]	12	1-641380-2
7.62 [.300]	3	641380-3

DO NOT SCALE PRINT. UNLESS SPECIFIED DIMENSIONS IN mm [INCHES] TOLERANCES ON : 2 PLC DEC ± - 3 PLC DEC ± 0.13 [.005] ANGLES ± -		DR 4-22-91 B. LEWIS		AMP Incorporated Harrisburg, PA 17105-3608	
MATERIAL		CHK 4-22-91 R. SWING			
FINISH		APPD 4-22-91 G. MILLER		NAME	
		APPD 4-22-91 G. MILLER		MTA-100 CONNECTOR ASSEMBLY, 26 AWG, STANDARD, TAPE MOUNTED	
		PRODUCT SPEC 108-1050		SIZE	
		APPLICATION SPEC 114-1019		CAGE CODE 00779	
		WEIGHT -		DRAWING NO 641380	
				SCALE 5:1	
				SHEET 1 OF 1	