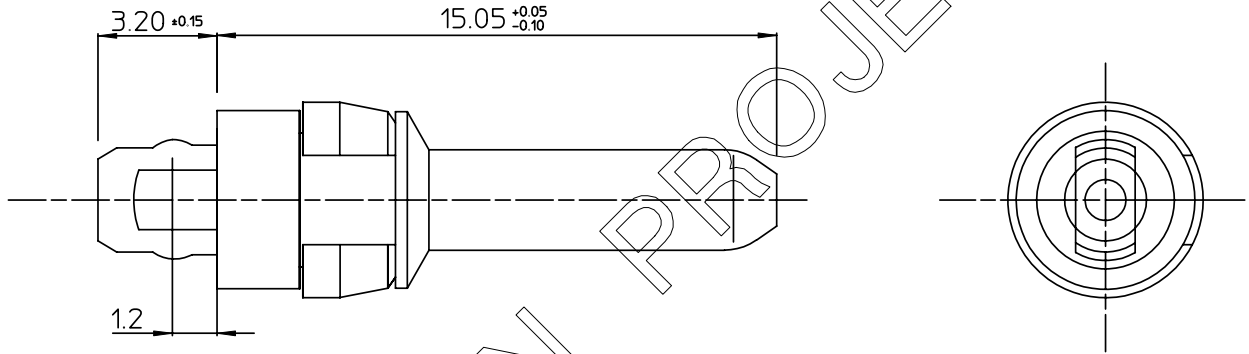


DIT IS ONZE EIGENDOM EN MAG NOCH NAGEMAAKT, HERDRUKT, OVERGEMAAKT AAN DERDEN, NOCH VOOR FABRIKATIE GEBRUIKT WORDEN, ZONDER ONZE SCHRIFTELIJKE TOELATING. BIJ NIET GEBRUIK IS DE TERUGZENDE VERPLICHT.

THIS IS OUR EXCLUSIVE PROPERTY. IT IS NOT TO BE COPIED, REPRINTED OR DISCLOSED TO A THIRD PARTY, NOR USED FOR MANUFACTURING WITHOUT OUR WRITTEN CONSENT, AND HAS TO BE RETURNED TO US IN CASE OF NO USAGE

REV.	DATE	DESCRIPTION	BY	C'K'D'
A	14-01-02	BZ0007	MFRET	
B	04-06-52	105-0091	ALEX B	BKP
C	21-06-06	106-0080	VIVEK	BKP



**NOTE:**

1. FOR MISSING INFO SEE DRAWING BS,C ,201624,028
2. THIS PRODUCT (LF) MEETS EUROPEAN UNION DIRECTIVES AND OTHER COUNTRY REGULATIONS AS DESCRIBED IN GS-22-008
3. LEAD FREE INDICATOR : LF = LEAD FREE



PLATING CODE (REF DWG No. BS,C ,201624,028)

PERFORMANCE CHARACTERISTICS:

- \*MIN. PRESS-FIT RETENTION FORCE : 20N
- \*MAX. CURRENT: 40 A
- \*ALLOWED PCB THICKNESS : MIN. 1.8 mm.
- \*MAX. CONTACT RESISTANCE: 5 mΩ


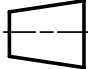

RECOMMENDED PLATED THROUGH HOLE:

- \*DRILLED HOLE : Ø 3.19 - 3.25 mm.
- \*FINISHED HOLE : Ø 3.02 - 3.20 mm.
- \*Cu PLATING : 25 µm MIN.
- \*Sn/SnPb PLATING : 5 µm MIN.

C

BS,A ,201624,032

GEN. ST.	01	02	03	04	05	06	07	08	0D	50	60	70	80	90																	
INT. ST.	10	11	12	13	14	18	20	31	32	33	34	38	39	40	42	43	44	45	46	48	56	70	72	73	75	76	81	82	83	84	88

1DEC ±0,2 2DEC ±0,1 ANGLES ±1°	<b>APPR.</b>	<b>DATE</b>	<b>SIGN.</b>	MPACS STR HDR PRESS-FIT POWER CONT Fm/Lb
	DRAFT	05-12-01	M.Fret	<b>CAT. No.</b> RM12PIE63-----
WE RESERVE THE RIGHT TO CHANGE DIMENSIONS OR REQUIREMENTS WITHOUT PRIOR NOTICE.	CHECKED			 <a href="http://www.fciconnect.com">www.fciconnect.com</a>
	PROD. MGR.			
	PR. ENG. MGR.			
ALL DIMENSIONS IN MM	PR. MGT. MGR.			
<b>REFERENCES</b>				
				BS,A ,201624,032
				C
				DRAWING NR. CUSTOMER DRAWING REVISION