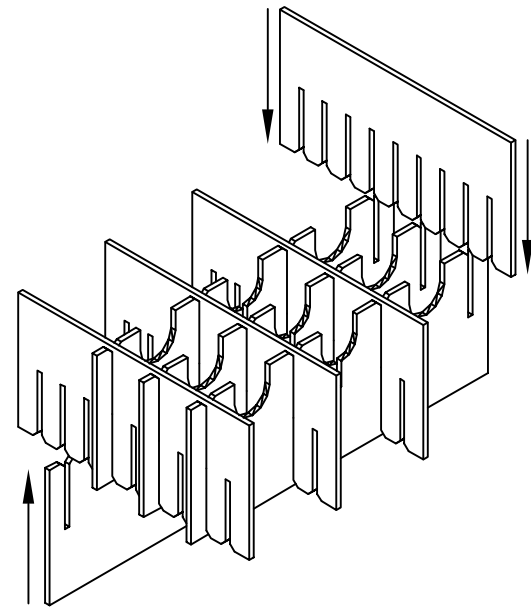
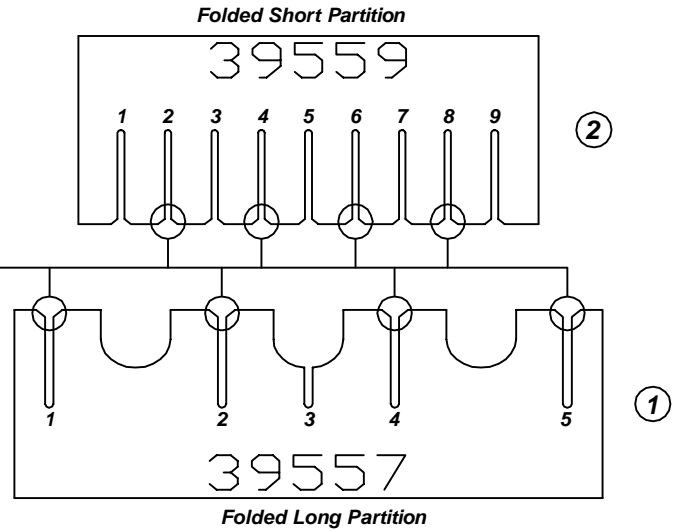
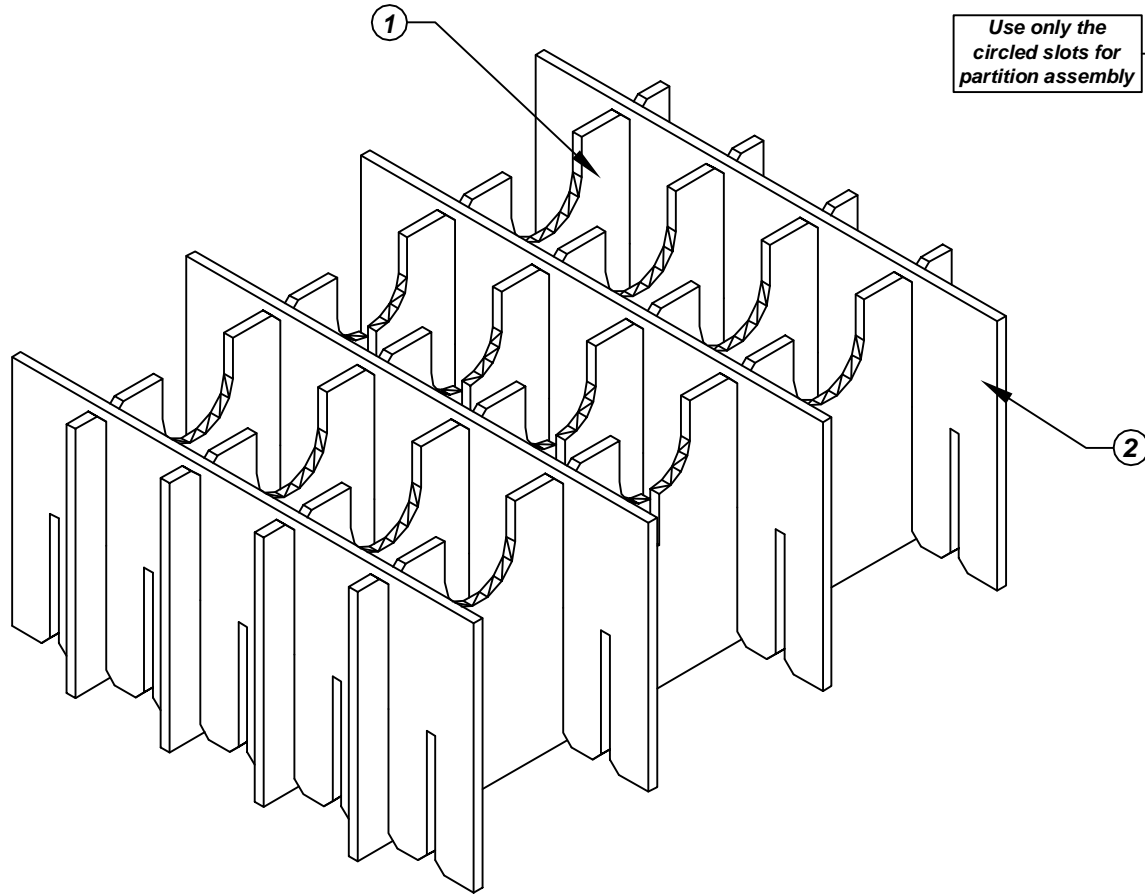


# Assembly Instructions for - 37242



Made in America

F/N ①	Part # 39557	Dimensions: 13-7/16" x 16-7/8"	Description: 436/438 - LP Long Partition	Qty: 4
F/N ②	Part # 39559	Dimensions: 13-7/16" x 13-1/8"	Description: 436 - SP Short Partition	Qty: 4

## 37242 - 15 Cell Inplant Handler Cell Size - 6-3/4" x 4-5/8" x 2-3/8"

Notes:  
For use with the following storage container & lid:  
37511 - Storage Container  
37551 - Lid

PROTEKTIVE PAK  
13520 MONTE VISTA AVENUE, CHINO, CA 91710  
PHONE (909) 627-2578, FAX (909) 363-7331  
ProtektivePak.com



DRAWING NUMBER  
**IPH-37242**

DATE  
Dec.  
2007