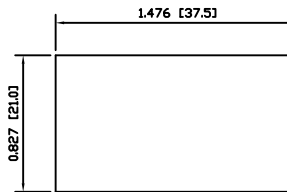
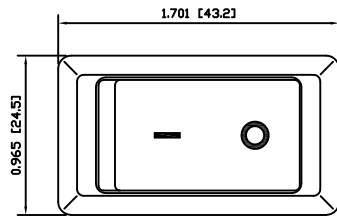


SUGGESTED PANEL CUTOUT



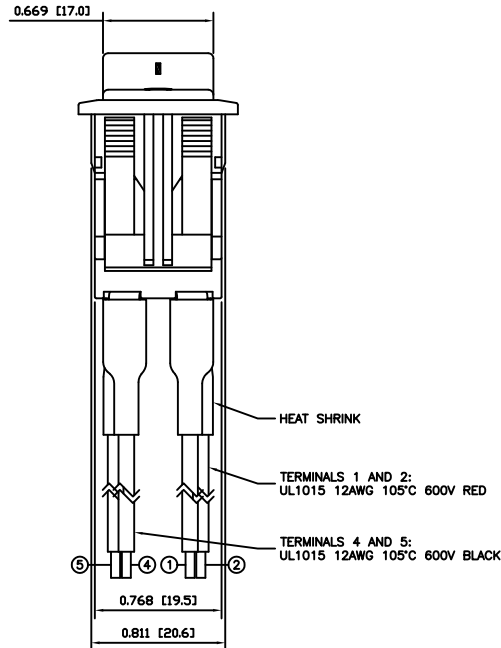
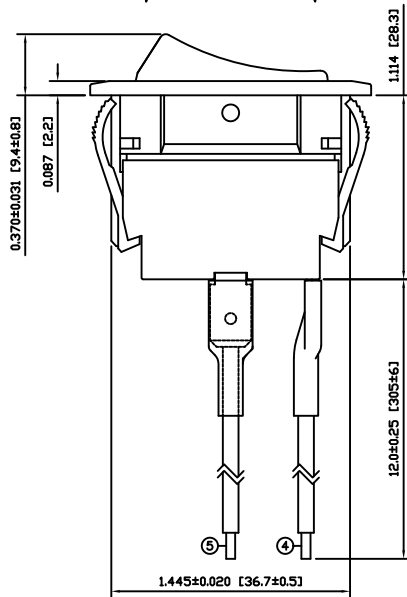
MATERIALS

- BODY:  
Polyamide 6/6 (PA66), UL94 V-2
- ACTUATOR:  
Polyamide 6/6 (PA66), UL94 V-2
- SEALING MEMBRANE:  
Polyvinyl Chloride (PVC)
- SPRING:  
Piano Wire
- MOBILE CONTACT BAR:  
Copper
- CONTACT PADS:  
Silver Clad Copper
- RIVETS:  
Copper
- TERMINALS:  
Brass  
UL1015 12AWG Welded  
Heat Shrink Tubing

SPECIFICATIONS

- FUNCTION:  
2P1T OFF-ON
- RATINGS:  
ANSI/UL 508 and CAN/CSA C22.2 No.14 (E195908):  
20A 125VAC [cURus]  
15A 277VAC [cURus]  
2HP 110/250VAC [cURus]
- CONTACT RESISTANCE:  
Initial: 50mΩ Max. at 50VAC
- ELECTRICAL LIFE:  
6,000 Cycles [cURus]
- TEMPERATURE:  
Operating: 0°C to 40°C [cURus]
- INGRESS PROTECTION:  
IP54
- APPROVALS:  
 RoHS COMPLIANT

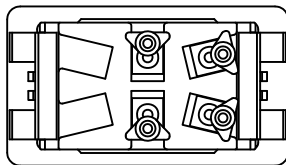
POSITION 2      POSITION 1



COLORS AND MARKINGS

- BODY COLOR:  
Black
- ACTUATOR COLOR:  
Black
- MARKING:  
I/O Vertical (1)
- MARKING COLOR:  
White

SCHEMATIC



ACTUATOR	B	10/05/26	CAB
BODY	A	10/05/26	CAB
COLORS	A	09/12/07	CAB
MATERIALS	A	10/05/26	CAB
SPECIFICATIONS	C	10/03/01	CAB
REFERENCE	REV.	DATE	BY

THE INFORMATION CONTAINED IN THIS DOCUMENT IS PROPRIETARY TO E-SWITCH AND IS NOT TO BE COPIED OR TRANSFERRED

A	INITIAL RELEASE	19080	10/05/26	CAB
REV.	DESCRIPTION	PCR	DATE	DRAWN BY

DIMENSIONS	
INCHES [MILLIMETERS]	
GENERAL TOLERANCES	
±0.008 [±0.2] / ±1'	
SCALE	PROJECTION
DRAWING NOT TO SCALE	

RVWZ142D1121		
ITEM NUMBER	DATE	REVISION
34-RVWZ142D1121	MAY 26, 2010	A