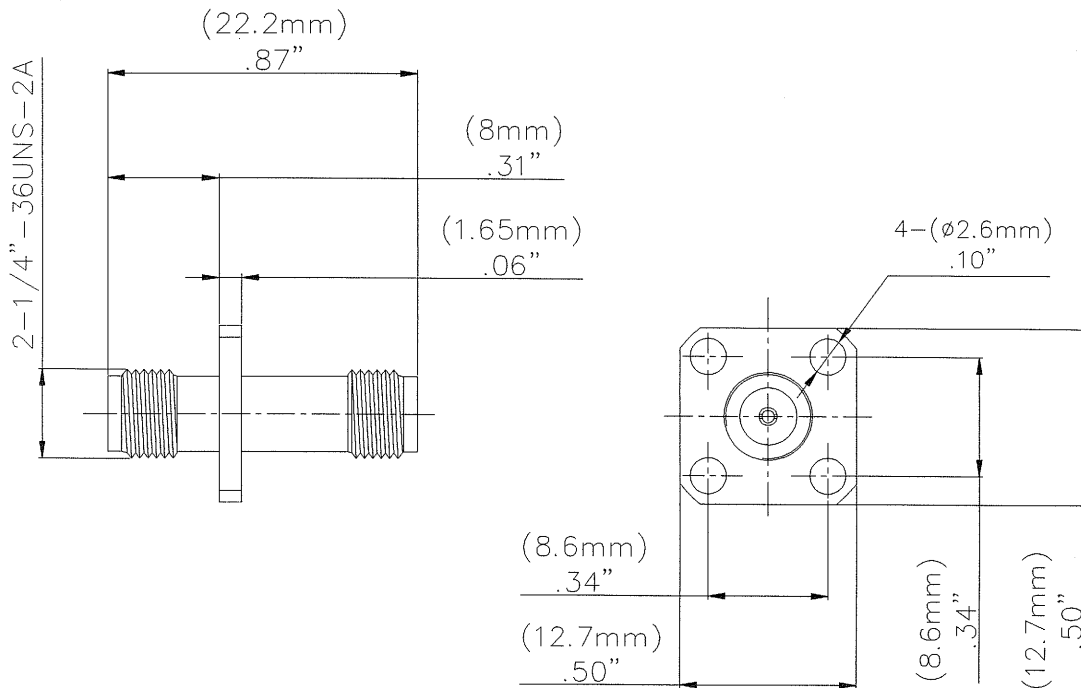


MUELLER®

MODEL: BU-P72973

SMA Flange Mount Connector (Female to Female)



MATERIALS:

Body – Gold Plated Brass

Contacts – Gold plated Beryllium Copper

Insulator – PTFE

RATING:

Voltage: Hands free testing to 500VRMS Max.

Temperature: -50°C to 105°C

Frequency: 0 to 18 GHz

Impedance: 50 Ohms