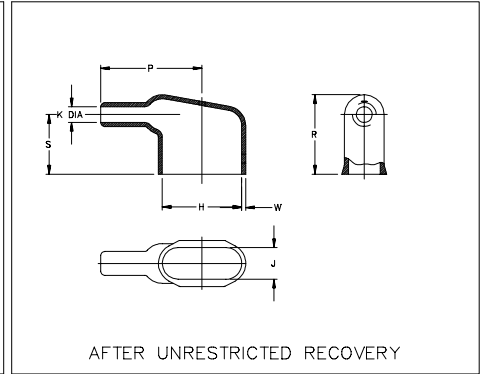
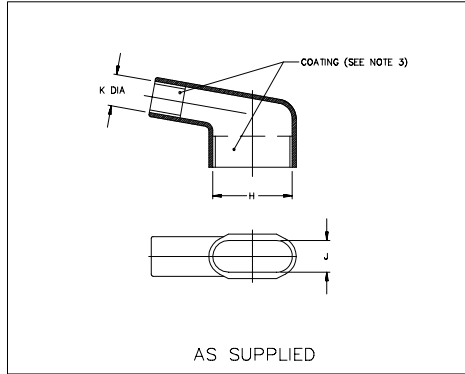


Thermofit<sup>®</sup> Molded Parts  
 Specification Control Drawing  
 Limited Distribution

Part Number : 234A932-X-04  
 Description : Boot, Rectangular,  
 Environmental, Subminiature,  
 90°, End Entry

NOTES

- All dimensions are in  $\frac{\text{inches}}{\text{[millimeters]}}$
- Dimensions appearing in table are as follows:  
 a - As Supplied  
 b - After Unrestricted Recovery
- Coating is optional. As supplied dimensions appearing in table are for uncoated parts. When coating is added, entry diameters will be reduced by .06 max.



PART NUMBER	H		J		K		P	R	S	W	Weight lbs±10%	This Boot Fits Cannon
	Min	±5%	Min	±5%	Min	Max						
	a	b	a	b	a	b						
234A932-X-04	1.85 [47,0]	1.66 [42,2]	.60 [15,2]	.42 [10,7]	.55 [14,0]	.32 [8,1]	1.69 [43,0]	1.10 [27,9]	.87 [22,1]	.04 [1,0]	.0099	DBD-25

**Raychem**

RAYCHEM CORPORATION  
 300 CONSTITUTION DRIVE  
 MENLO PARK, CALIFORNIA 94025  
 (415) 361-6055

Revision : B  
 Date : 04/23/92

Part Number : 234A932-X-04  
 Description : Boot, Rectangular,  
 Environmental, Subminiature,  
 90°, End Entry

Thermofit<sup>®</sup> Molded Parts  
 Specification Control Drawing  
 Limited Distribution

Part Number : 234A932-X-04  
 Description : Boot, Rectangular,  
 Environmental, Subminiature,  
 90°, End Entry

COMPATABILITY CHART					
MATERIAL DASH NO.	MATERIAL DESCRIPTION	RT SPEC	COATING SLASH NO.	COATING S NO.	COATING DESCRIPTION
-3	Polyolefin, Semi-rigid	RT-301	/42	S-1017	Adhesive

ORDERING INFORMATION

234A932 -3 -04 /42

Base part number \_\_\_\_\_

Material dash number \_\_\_\_\_  
 (See Compatability Chart)

Modification number \_\_\_\_\_  
 (If necessary, see front of scd binder  
 for a complete list)

Adhesive slash number \_\_\_\_\_  
 (If necessary, see Compatability Chart)

THIS DRAWING IS SUBJECT TO CHANGE WITHOUT NOTICE; CONSULT YOUR  
 NEAREST FIELD REPRESENTATIVE FOR CURRENT REVISION

If this document is printed it becomes uncontrolled.  
 Check for the latest revision.

**Raychem**

RAYCHEM CORPORATION  
 300 CONSTITUTION DRIVE  
 MENLO PARK, CALIFORNIA 94025  
 (415) 361-6055

Revision : B  
 Date : 04/23/92

Part Number : 234A932-X-04  
 Description : Boot, Rectangular,  
 Environmental, Subminiature,  
 90°, End Entry