

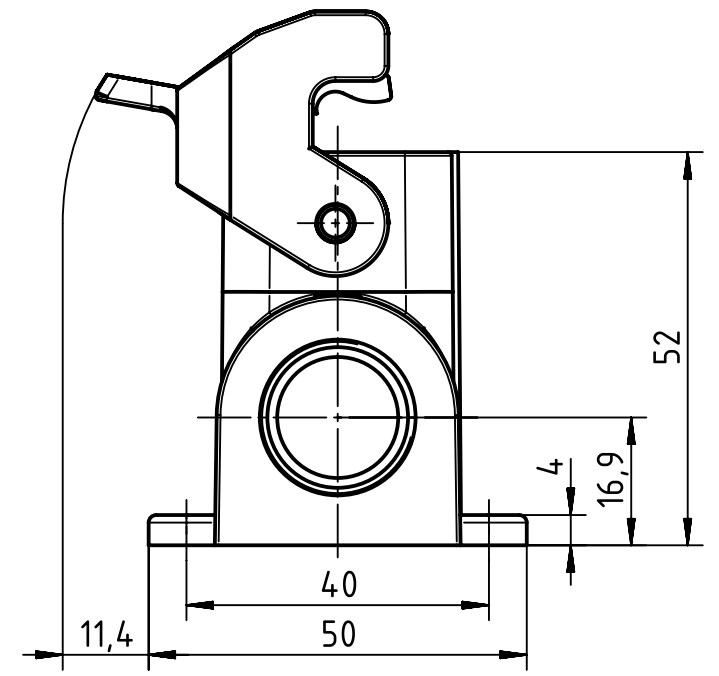
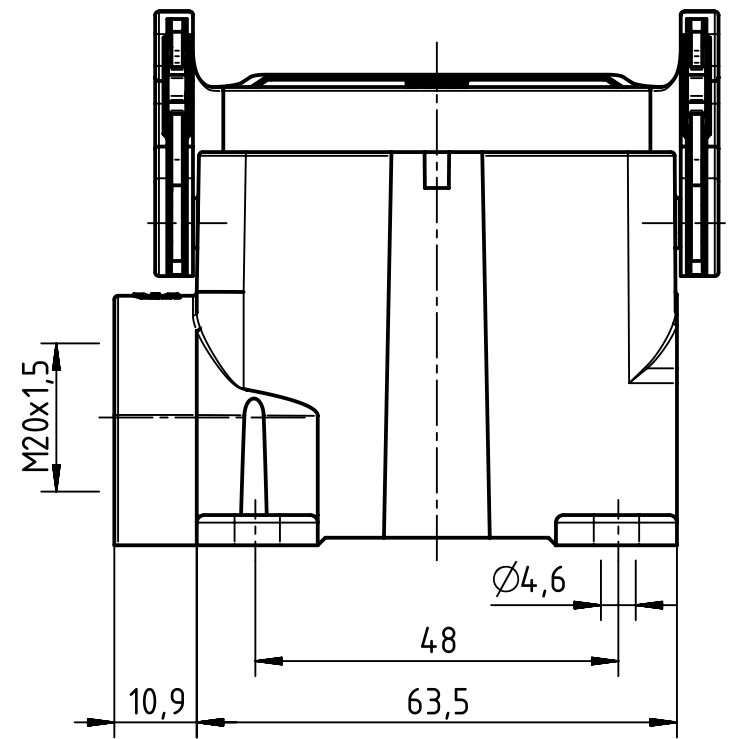
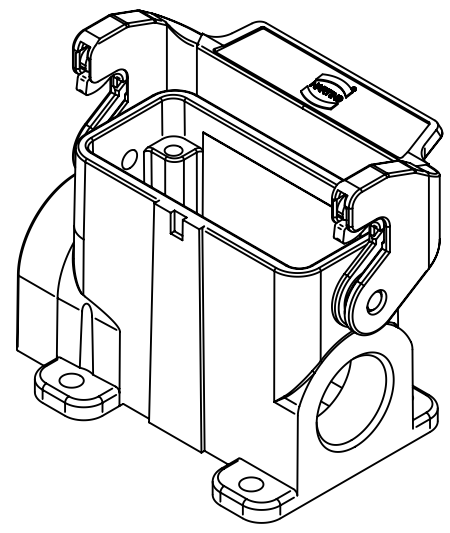
1 2 3 4 5 6


A

B

C

D



	All Dimensions in mm Original Size DIN A4		Scale 1:1		Free size tol.		Ref. Sub. TB 19 20 010 0290 v. 02.08.02					
	All rights reserved Department EL PD - DE		Created by HOLLERT		Inspected by TIEMANNA		Standardisation SCHMIDTM		Date 2014-04-04		State Final Release	
HARTING Electric GmbH & Co. KG D-32339 Espelkamp			Title Base Surface HC 1 Lvr 2 Entry M20						Doc-Key / ECM-Nr. 100189749/UGD/004/B 500000072617			
			Type TB		Number 19 20 010 0290				Rev. B		Page 1/1	