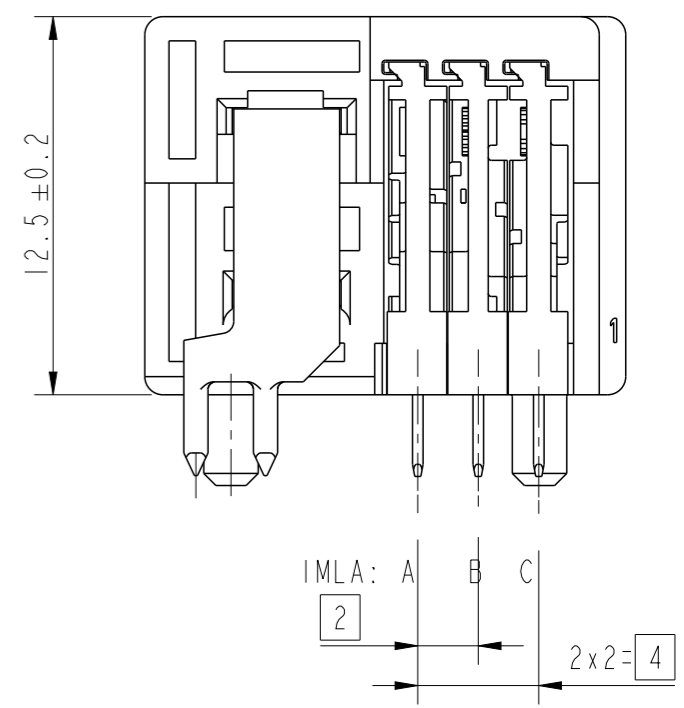
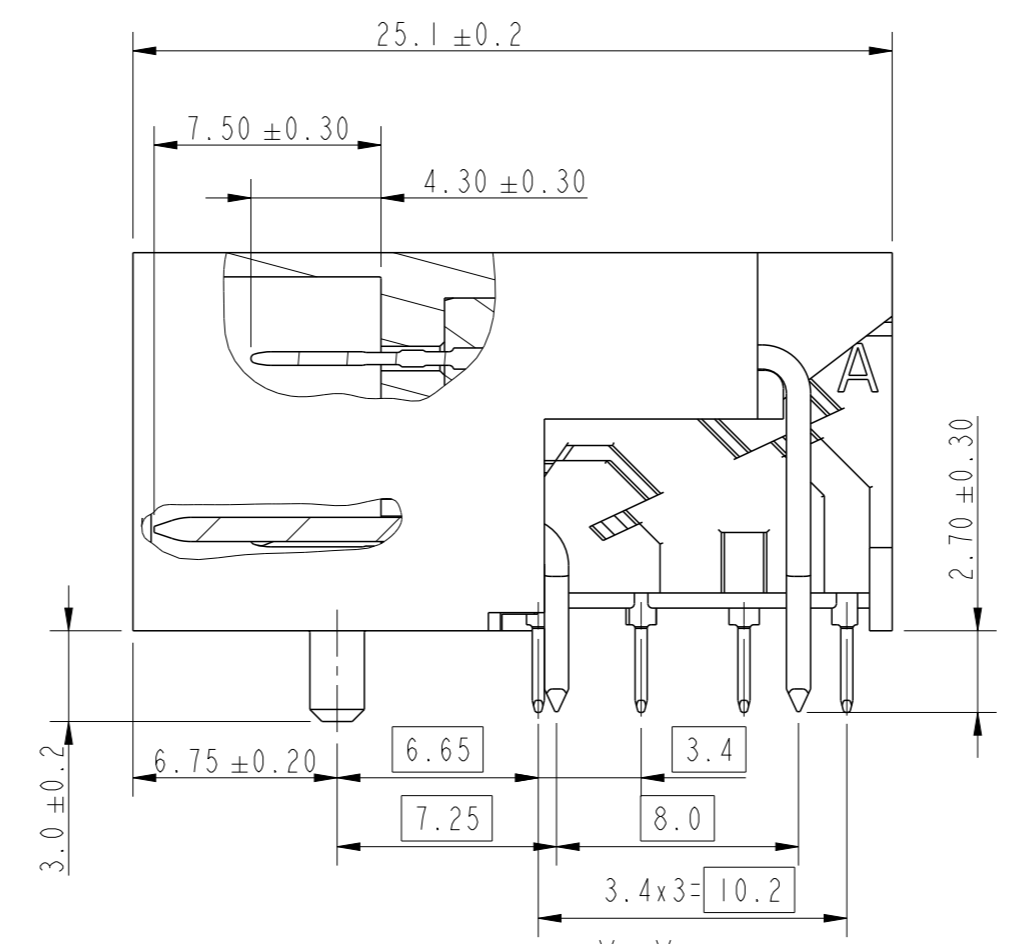
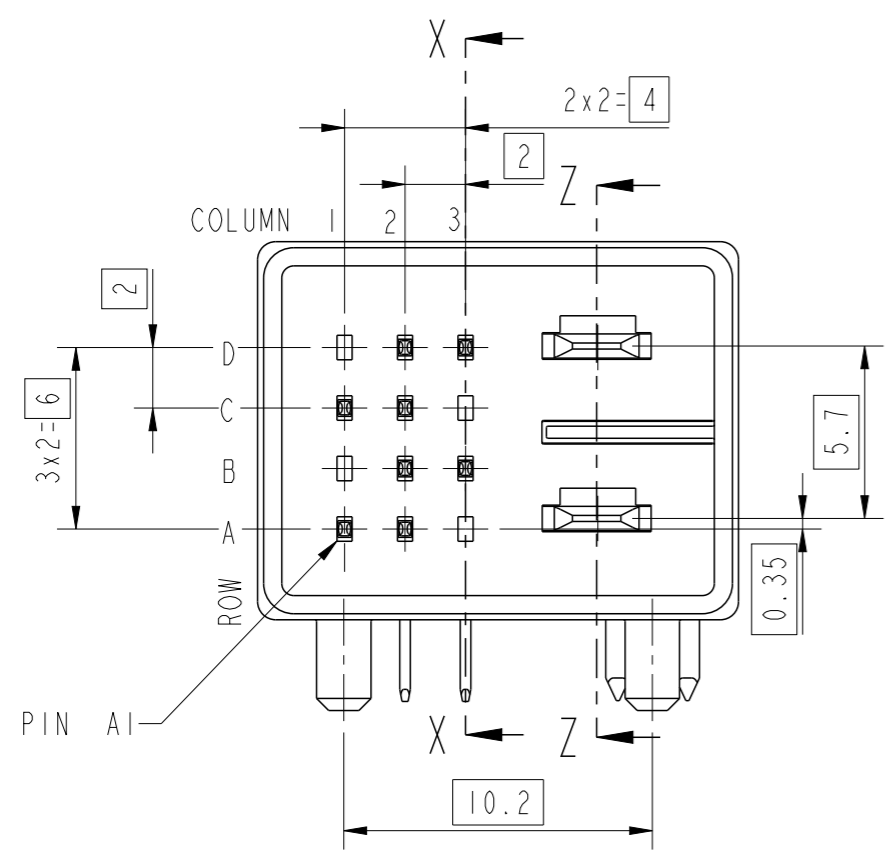
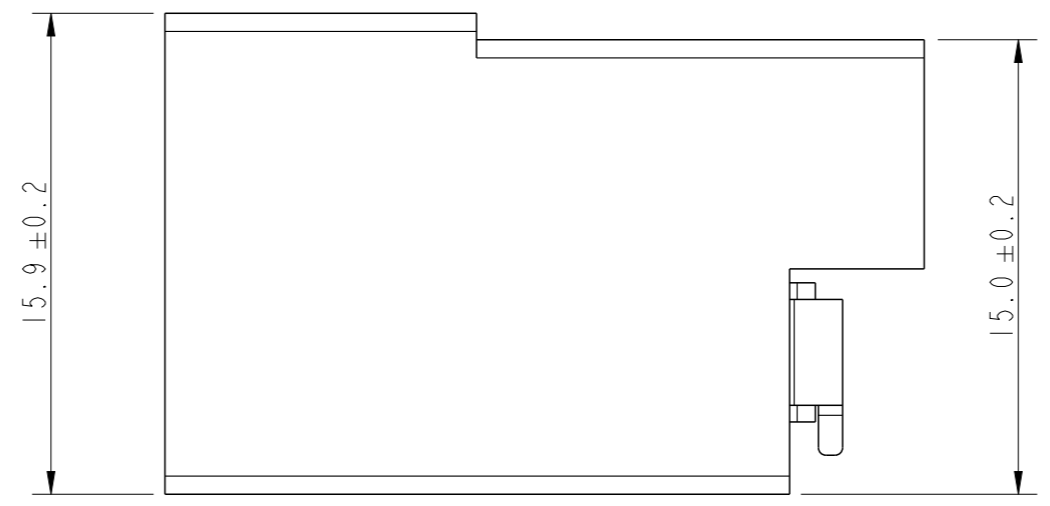


PRODUCT NUMBER  
SEE TABLE

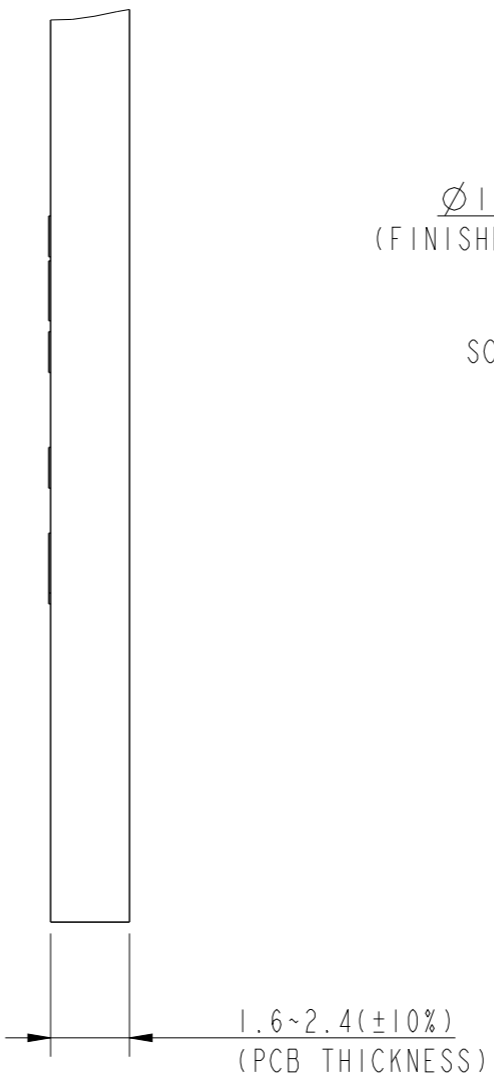
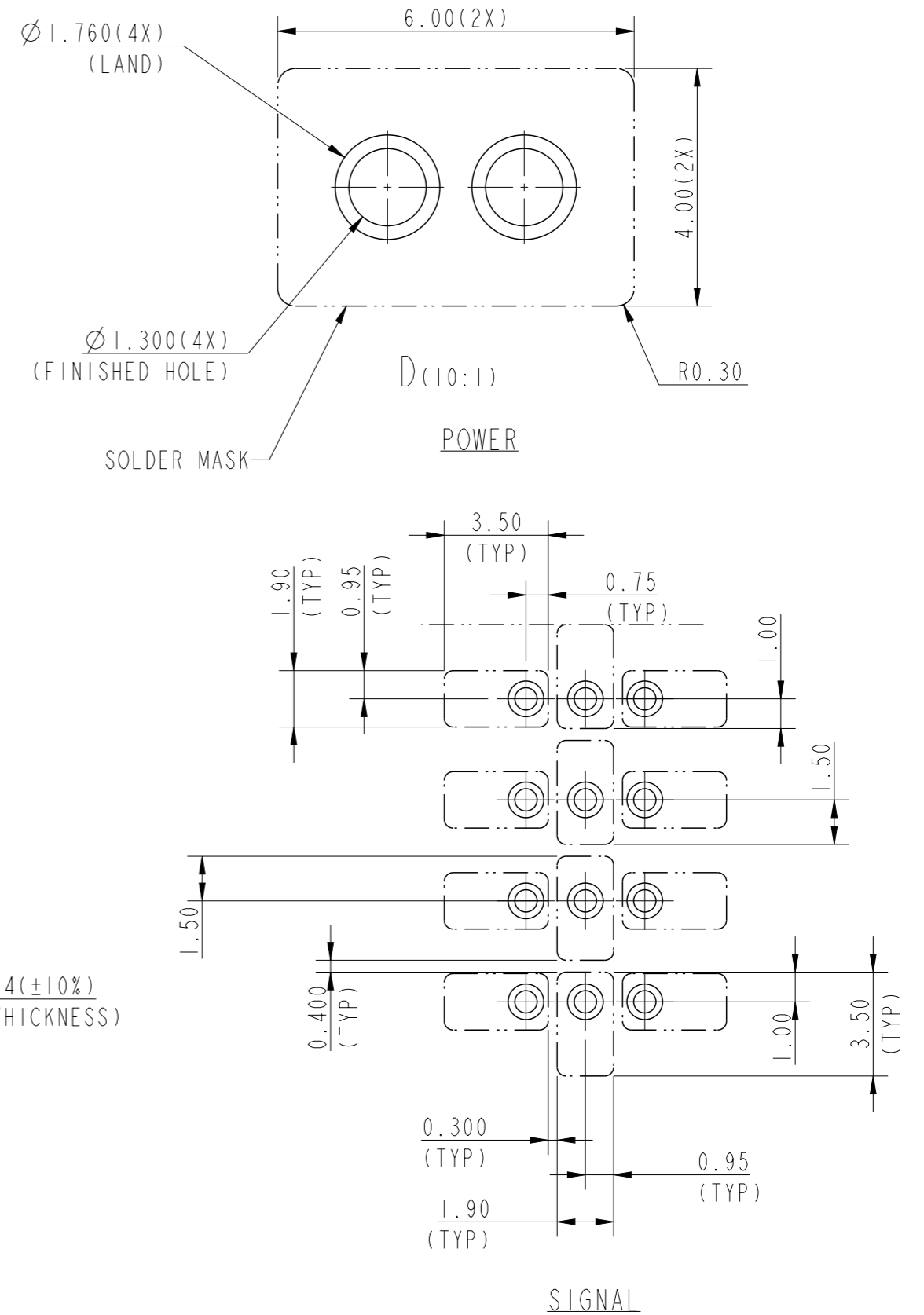
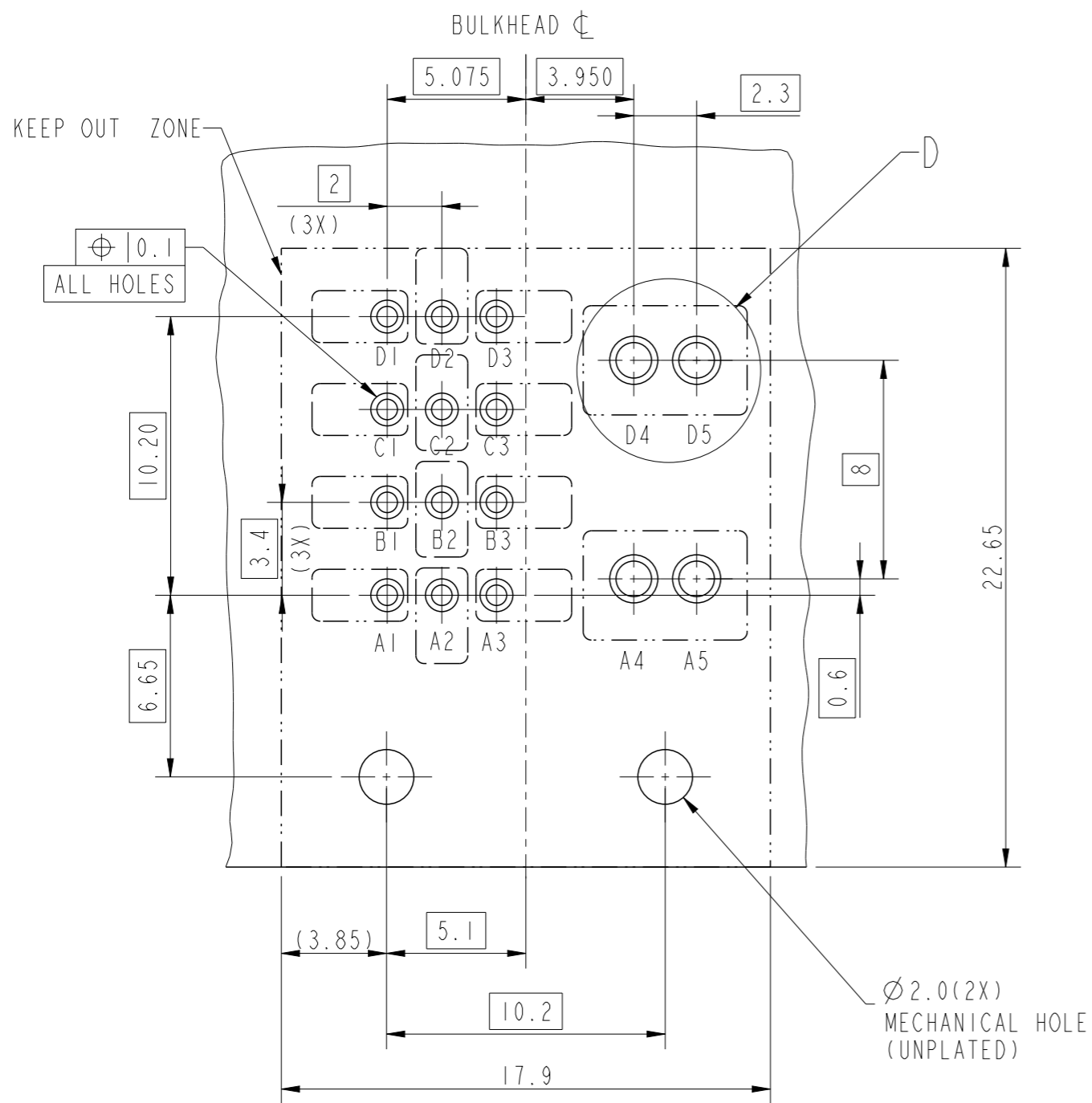


AFCI PART NO	ROW	COLUMN 1	COLUMN 2	COLUMN 3
10140949-101LF (VIEWS SHOWN IN THIS SHEET)	D	-	X	X
	C	X	X	-
	B	-	X	X
	A	X	X	-
10140949-102LF	D	X	X	X
	C	X	X	-
	B	X	X	X
10140949-103LF	D	X	X	X
	C	X	X	X
	A	X	X	X

SECTION X-X  
Z-Z  
SCALE 4:1

spec ref	-	dr	Jibin John	2017/09/26	projection	mm	size	A3	scale	1:1	
tolerance std	ISO 406 ISO 1101	eng	B T Varghese	2017/10/26			ecn no	ELX-I-28252-1	rel level	Released	
surface	linear	chr	-	apppr			K-Paul Biju	2017/10/26		product family	VERIO
ISO 1302	angular	0°	±2°	<b>Amphenol FCI</b>		title VERIO HYBRID (SIGNAL&POWER) RA BOARD CONNECTOR SIGNAL & PWR PIP TERMINATION	dwg no 10140949	rev C	cat. no. -	Product - Customer Drw	sheet 1 of 4

VIEW FROM COMPONENT SIDE

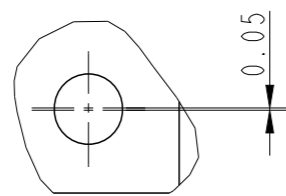
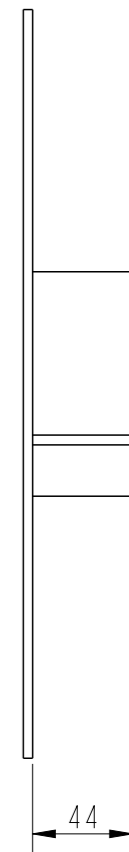
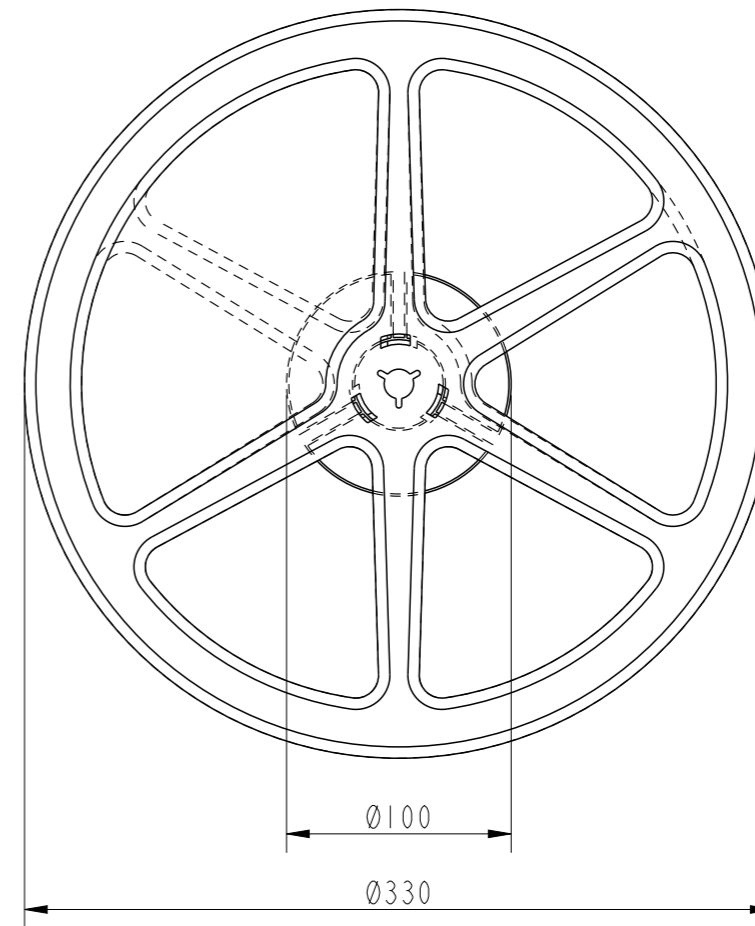
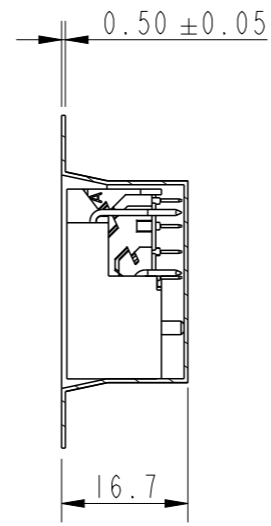
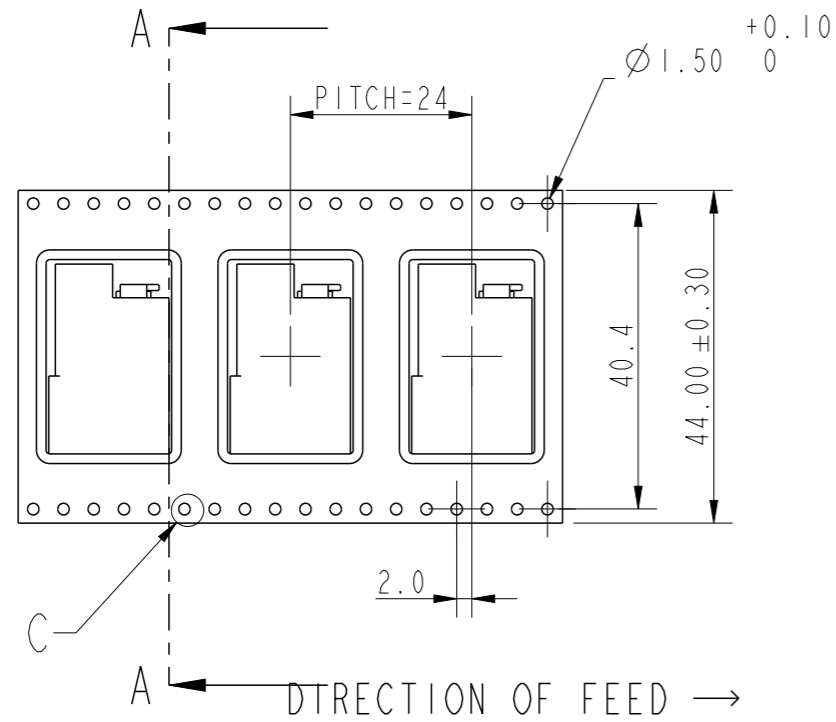


NOTE:  
 ABOVE PCB IS FOR THE P/N 10140949-103LF  
 FOR P/N 10140949-101LF, REMOVE HOLES A3,B1,C3 AND D1  
 FOR P/N 10140949-102LF, REMOVE HOLES A3 AND C3

	SIGNAL PTH DETAILS	POWER PTH DETAILS
DRILLED HOLE	0.82-0.87mm	1.37-1.42mm
COPPER PLATING	25-50 $\mu$ m	25-50 $\mu$ m
TIN PLATING	0.8-1.2 $\mu$ m	0.8-1.2 $\mu$ m
FINISHED HOLE DIA	0.70-0.80mm	1.25-1.35mm

spec ref	-	dr	Jibin John	2017/09/26	projection	mm	size	A3	scale	2:1
tolerance std	ISO 406 ISO 1101	eng	B T Varghese	2017/10/26			ecn no	ELX-1-28252-1	rel level	Released
TOLERANCES UNLESS OTHERWISE SPECIFIED		chr	-	2017/10/26			product family			
surface	linear	0.X	±0.3		VERIO HYBRID (SIGNAL&POWER) RA BOARD CONNECTOR		dwg no	10140949	rev	C
		0.XX	±0.10		SIGNAL & PWR PIP TERMINATION		cat. no.	Product - Customer Drw	sheet 2 of 4	
	angular	0°	±2°							

PACKAGING SPECIFICATION

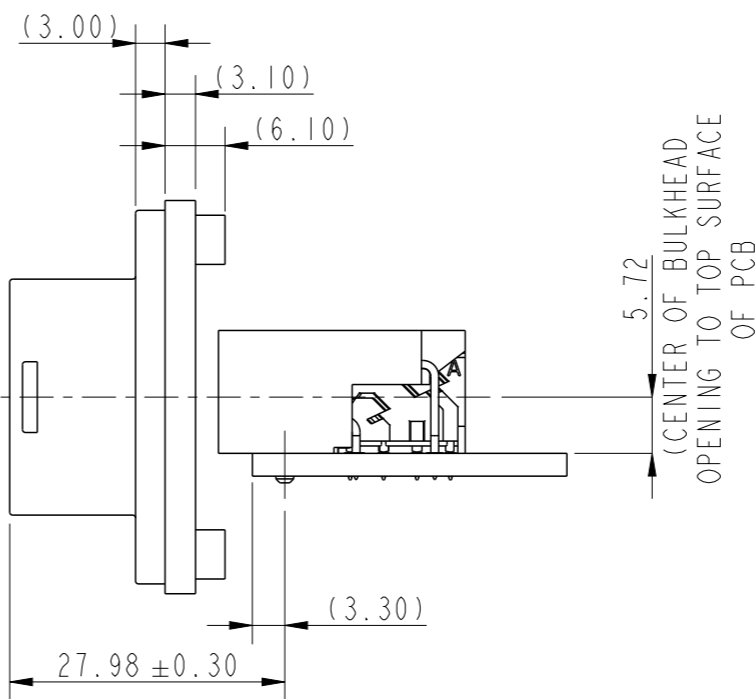
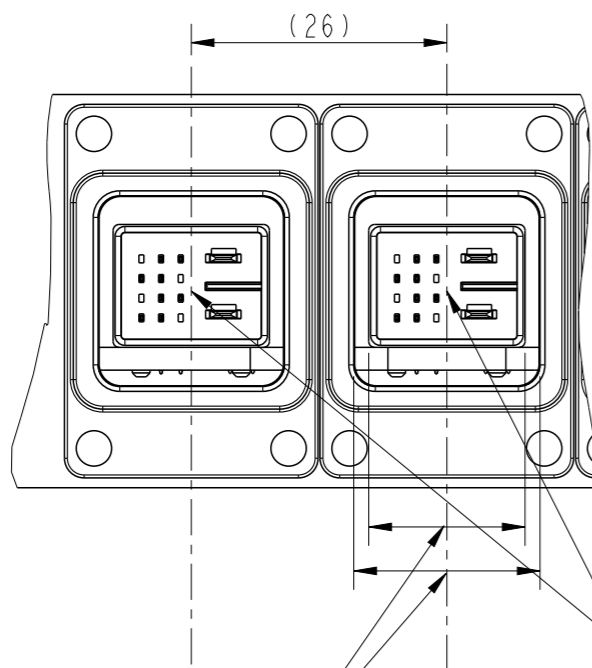
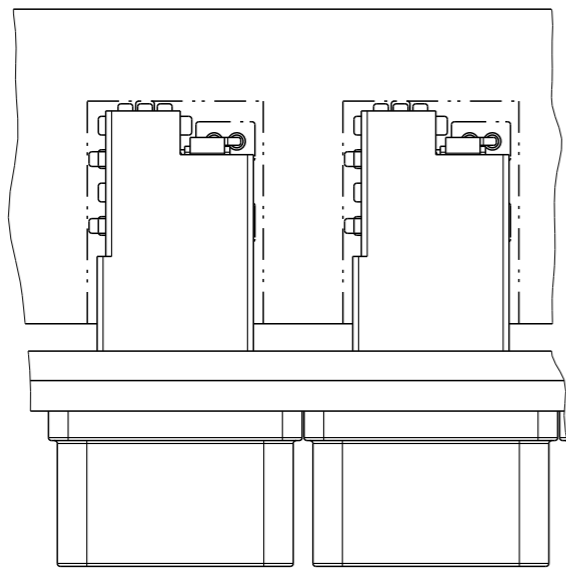


TAPE & REEL PACKING DETAILS

NOTES:

1. PACKAGING DETAILS AS PER EIA-481 STD.
2. MATERIAL : (ANTISTATIC)  
CARRIER TAPE : POLYSTYRENE  
COVER TAPE : POLYSTYRENE

spec ref	-	dr	Jibin John	2017/09/26	projection	mm	size	A3	scale	1:1	
tolerance std	ISO 406 ISO 1101	eng	B T Varghese	2017/10/26			ecn no	ELX-I-28252-1			
TOLERANCES UNLESS OTHERWISE SPECIFIED		chr	-	-			rel level	Released			
surface	linear	appr	K-Paul Biju	2017/10/26	product family	-	dwg no	10140949		rev	C
ISO 1302	angular			VERIO HYBRID (SIGNAL&POWER) RA BOARD CONNECTOR SIGNAL & PWR PIP TERMINATION		cat. no.	-	Product - Customer Drw	sheet 3 of 4		
	0.X										
	0.XX										
	0.XXX										
	0°										
	±0.3										
	±0.10										
	±0.050										
	±2°										



BULKHEAD OPENING CENTRE LINE

± 0.60  
CENTERING OF THE BOARD  
CONNECTOR WITH BULKHEAD  
CAVITY

NOTES:

1. MATERIAL :  
- RESIN - LCP, GLASS FILLED, FLAME RETARDANT ACC  
FLAMMABILITY CLASSIFICATION - UL94-V0  
- SIGNAL & POWER CONTACTS - COPPER ALLOY
2. PLATING :  
- GOLD OVER PALLADIUM NICKEL ON CONTACT AREA OF SIGNALS  
- PURE TIN ON TERMINAL AREA OF SIGNALS  
- PURE TIN ON POWER CONTACTS
3. PRODUCT SPECIFICATION (CONNECTOR): GS-12-1427
4. APPLICATION SPECIFICATION: GS-20-0523
5. PACKAGING - TAPE & REEL
6. UNDER PLATING FOR CONTACTS IS 1.27µm NICKEL.
7. PRODUCT WILL WITHSTAND EXPOSURE TO 260° FOR 60 SECONDS IN A CONVECTION, INFRA RED OR VAPOUR PHASE REFLOW OVEN
8. PRODUCT WHERE THE PARTNUMBER ENDS IN LF MEETS EUROPEAN DIRECTIVES AND OTHER COUNTRY REGULATIONS AS DESCRIBED IN GS-47-0004.
9. REFER DRAWING 10140965 FOR BULKHEAD DETAILS

Amphenol  
FCi

© 2016 AFCI

spec ref	-			dr	Jibin John	2017/09/26	projection	mm	size	A3	scale	1:2	
tolerance std	ISO 406 ISO 1101			eng	B T Varghese	2017/10/26			ecn no			ELX-I-28252-1	
TOLERANCES UNLESS OTHERWISE SPECIFIED			chr	-	-	rel level			Released				
surface	linear	0.X	±0.3	appr	K-Paul Bijju	2017/10/26	product family	-	dwg no		10140949		
		0.XX	±0.10	<b>Amphenol FCI</b>			VERIO HYBRID (SIGNAL&POWER) RA BOARD CONNECTOR SIGNAL & PWR PIP TERMINATION		cat. no. - Product - Customer Drw		rev		C
	angular	0°	±2°								sheet 4 of 4		