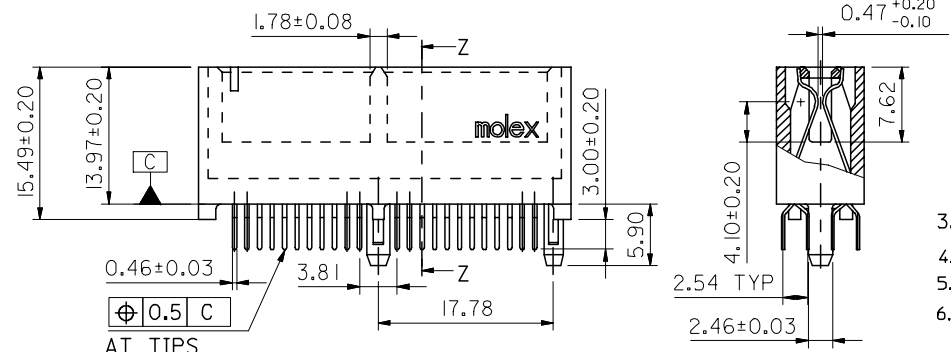
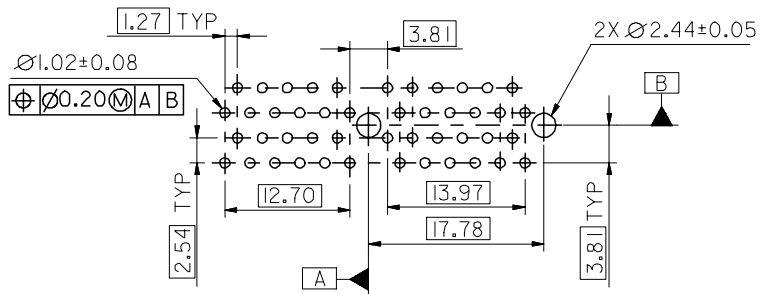


SLOT TO INDICATE CKT #1



AT TIPS

SECTION Z-Z



RECOMMENDED CONNECTOR MOUNTING HOLE PATTERN

NOTES:

1. MATERIAL:

HOUSING : PPS, COLOR: BROWN
 TERMINAL: PHOSPHOR BRONZE

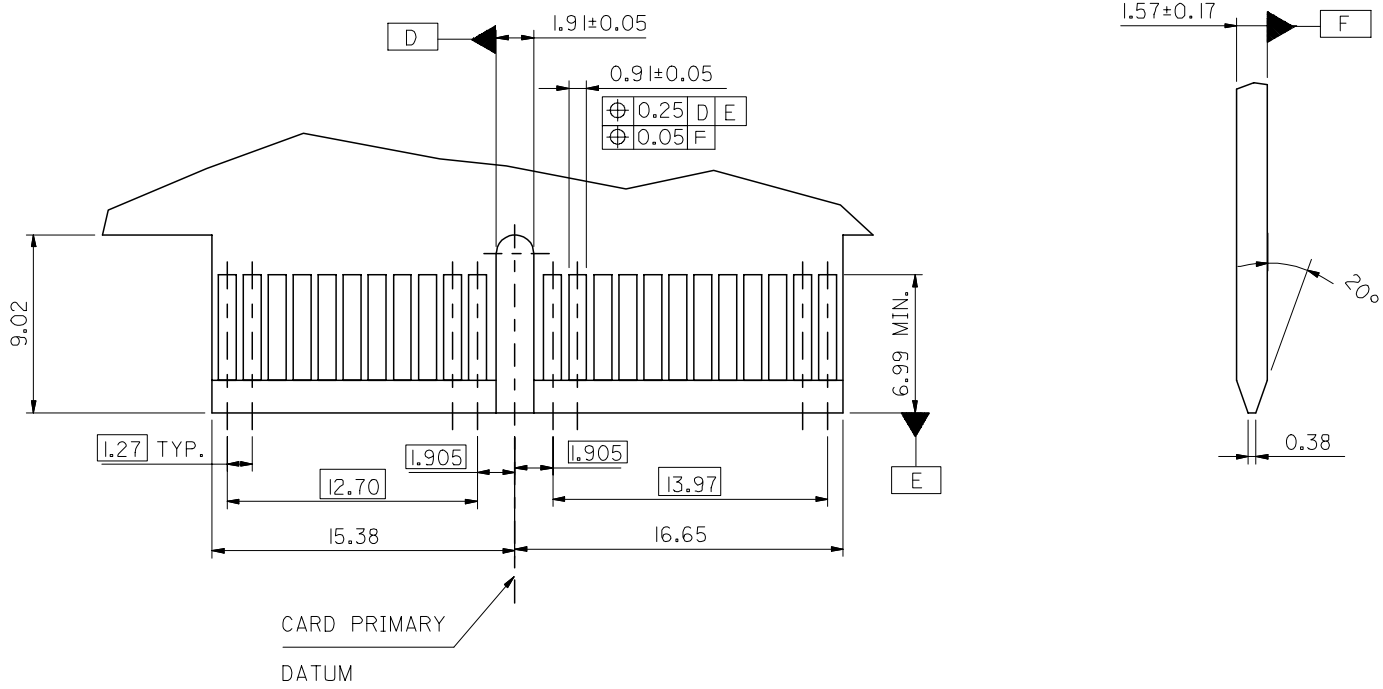
2. FINISH 0 - GOLD FLASH IN CONTACT AREA, 1.52um/60uin MIN. TIN IN SOLDER TAIL, BOTH OVER 0.76um/30uin MIN. NICKEL OVERALL.
 1 - 0.25um/10uin MIN. GOLD IN CONTACT AREA, 1.52um/60uin MIN. TIN IN SOLDER TAIL, BOTH OVER 0.76um/30uin MIN. NICKEL OVERALL.
 2 - 0.76um/30uin MIN. GOLD IN CONTACT AREA, 1.52um/60uin MIN. TIN IN SOLDER TAIL, BOTH OVER 0.76um/30uin MIN. NICKEL OVERALL.

3. PRODUCT SPECIFICATION : PER TO PS-48200-002
 4. TEST SUMMARY : PER TS-48200-002
 5. PACKAGE SPECIFICATION : PER PK-48200-002
 6. LEAD FREE AND ROHS COMPLIANCE PRODUCT

PART NO. LEGEND : 48200 - 23 * *

PEG VERSION	PLATING VERSION
0 : PLASTIC PEG	0
	1
	2

EWR 2006-0035 EC NO: SH2006-0520 DRW: ALLIN 2006/06/26 CHKD: 2006/06/27 APPR: WWSCHANG 2006/06/30	QUALITY SYMBOLS	GENERAL TOLERANCES (UNLESS SPECIFIED) DIMENSION STYLE MM ONLY SCALE 1:1 DESIGN UNITS METRIC THIRD ANGLE PROJECTION	4 PLACES ± --- ± ---	DRAWN BY TOM DATE 2005/02/04	TITLE ASS'Y 1.27MM EDGE CARD CONNECTOR (46 CKTS) (LEAD-FREE VERSION) MOLEX INCORPORATED
	▽=0		3 PLACES ± --- ± ---	CHECKED BY ALL IN DATE 2005/02/04	
	∇=0		2 PLACES ± 0.25 ± ---	APPROVED BY WWSCHANG DATE 2005/02/04	
			1 PLACE ± 0.25 ± ---	MATERIAL NO. SEE TABLE DOCUMENT NO. SD-48200-002 SHEET NO. 1 OF 2	
			ANGULAR ± 3 °		
			DRAFT WHERE APPLICABLE MUST REMAIN WITHIN DIMENSIONS		



RECOMMENDED MATING P.C.BOARD EDGE CONFIGURATION

SEE SHEET 1 EC NO: SH2006-0520 DRWN: ALLIN CHKD: APPR: WWSCHANG	2006/06/26 2006/06/27 2006/06/30	DESCRIPTION REV	QUALITY SYMBOLS	GENERAL TOLERANCES (UNLESS SPECIFIED)	DIMENSION STYLE	SCALE	DESIGN UNITS	THIRD ANGLE PROJECTION																		
			$\nabla = 0$ $\nabla \square = 0$	<table border="1"> <thead> <tr> <th></th> <th>mm</th> <th>INCH</th> </tr> </thead> <tbody> <tr> <td>4 PLACES</td> <td>± ---</td> <td>± ---</td> </tr> <tr> <td>3 PLACES</td> <td>± ---</td> <td>± ---</td> </tr> <tr> <td>2 PLACES</td> <td>± 0.25</td> <td>± ---</td> </tr> <tr> <td>1 PLACE</td> <td>± 0.25</td> <td>± ---</td> </tr> <tr> <td colspan="3">ANGULAR ± 3 °</td> </tr> </tbody> </table>		mm	INCH	4 PLACES	± ---	± ---	3 PLACES	± ---	± ---	2 PLACES	± 0.25	± ---	1 PLACE	± 0.25	± ---	ANGULAR ± 3 °			MM ONLY	1:1	METRIC	
				mm	INCH																					
			4 PLACES	± ---	± ---																					
3 PLACES	± ---	± ---																								
2 PLACES	± 0.25	± ---																								
1 PLACE	± 0.25	± ---																								
ANGULAR ± 3 °																										
			<table border="1"> <tr> <td>DRAWN BY</td> <td>DATE</td> <td>TITLE</td> </tr> <tr> <td>TOM</td> <td>2005/02/04</td> <td>ASS'Y 1.27MM EDGE CARD CONNECTOR (46 CKTS) (LEAD-FREE VERSION)</td> </tr> <tr> <td>CHECKED BY</td> <td>DATE</td> <td></td> </tr> <tr> <td>ALL IN</td> <td>2005/02/04</td> <td></td> </tr> <tr> <td>APPROVED BY</td> <td>DATE</td> <td></td> </tr> <tr> <td>WWSCHANG</td> <td>2005/02/04</td> <td></td> </tr> </table>	DRAWN BY	DATE	TITLE	TOM	2005/02/04	ASS'Y 1.27MM EDGE CARD CONNECTOR (46 CKTS) (LEAD-FREE VERSION)	CHECKED BY	DATE		ALL IN	2005/02/04		APPROVED BY	DATE		WWSCHANG	2005/02/04						
DRAWN BY	DATE	TITLE																								
TOM	2005/02/04	ASS'Y 1.27MM EDGE CARD CONNECTOR (46 CKTS) (LEAD-FREE VERSION)																								
CHECKED BY	DATE																									
ALL IN	2005/02/04																									
APPROVED BY	DATE																									
WWSCHANG	2005/02/04																									
			<table border="1"> <tr> <td>MATERIAL NO.</td> <td>DOCUMENT NO.</td> <td>SHEET NO.</td> </tr> <tr> <td></td> <td>SD-48200-002</td> <td>2 OF 2</td> </tr> </table>	MATERIAL NO.	DOCUMENT NO.	SHEET NO.		SD-48200-002	2 OF 2																	
MATERIAL NO.	DOCUMENT NO.	SHEET NO.																								
	SD-48200-002	2 OF 2																								

DRAFT WHERE APPLICABLE MUST REMAIN WITHIN DIMENSIONS

SEE TABLE

SIZE A3

THIS DRAWING CONTAINS INFORMATION THAT IS PROPRIETARY TO MOLEX INCORPORATED AND SHOULD NOT BE USED WITHOUT WRITTEN PERMISSION