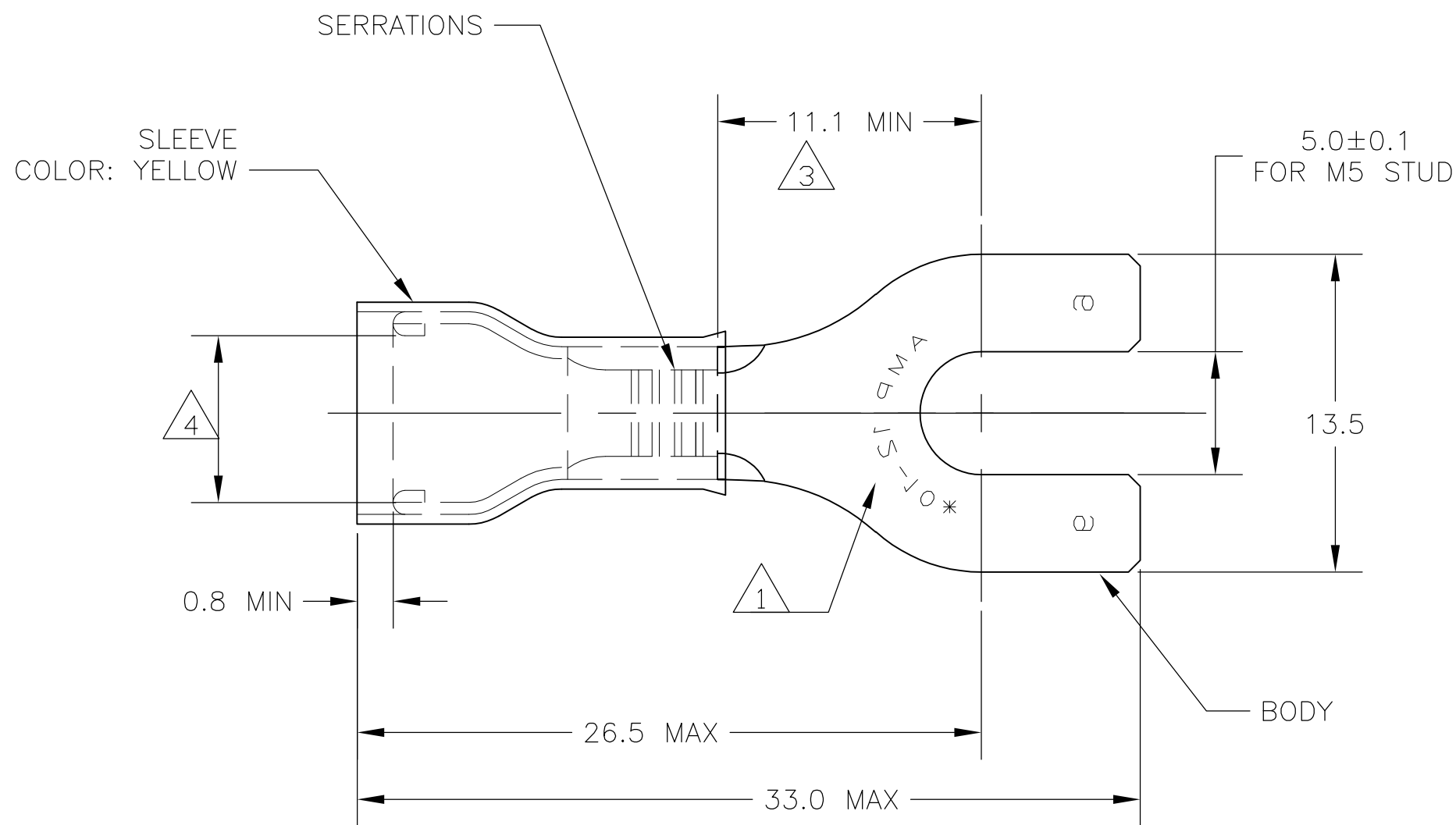


THIS DRAWING IS UNPUBLISHED. RELEASED FOR PUBLICATION
 © COPYRIGHT BY TYCO ELECTRONICS CORPORATION. ALL RIGHTS RESERVED.

LOC	DIST	REVISIONS			
P	LTR	DESCRIPTION	DATE	DWN	APVD
G	14	C1	REV PER ECR 07-015095	25JUN07	JR TM



- 1 STAMP "AMP 12-10*", LOCATION APPROX AS SHOWN.
- 2 TONGUE THICKNESS IS 1.0±0.05
- 3 APPLIES TO EDGE OF METAL WIRE BARREL TO CENTER OF STUD HOLE.
- 4 WIRE INSULATION DIA RANGE 3.8-6.4
- 5 BODY - COPPER PER ASTM B-152 SLEEVE - COPPER PER ASTM B-152 INSULATION - NYLON
- 6 BODY - TIN PL PER ASTM B-545 SLEEVE - TIN PL PER ASTM B-545 INSULATION - COLOR - YELLOW
- 7 105°C MAX OPERATING TEMPERATURE.
- 8 300 VOLT MAX
- 9 2.62-6.64mm² [5,180 - 13,100 CMA] SOLID OR STRANDED

500	LOOSE PIECE	130620
QTY	PACKAGE TYPE	PART NO

THIS DRAWING IS A CONTROLLED DOCUMENT.		DWN jr_ruth 13APR07	Tyco Electronics Corporation Harrisburg, PA 17105-3608	
DIMENSIONS: mm INCHES		CHK T MICHIELUTTI 13APR07	NAME TERMINAL, SPADE, RECTANGULAR TONGUE, PIDG, WIRE SIZE 12-10	
TOLERANCES UNLESS OTHERWISE SPECIFIED:		APVD T MICHIELUTTI 13APR07	PRODUCT SPEC -	
0 PLC ± -		APPLICATION SPEC -		
1 PLC ± 0.2		SIZE A3		
2 PLC ± -		CAGE CODE 00779		
3 PLC ± -		DRAWING NO G-130620		
4 PLC ± -		RESTRICTED TO -		
ANGLES ± 5°		SCALE 4:1		
MATERIAL		SHEET 1 OF 1		
FINISH		REV C1		
-5		CUSTOMER DRAWING		
-6		SCALE 4:1 SHEET 1 OF 1 REV C1		