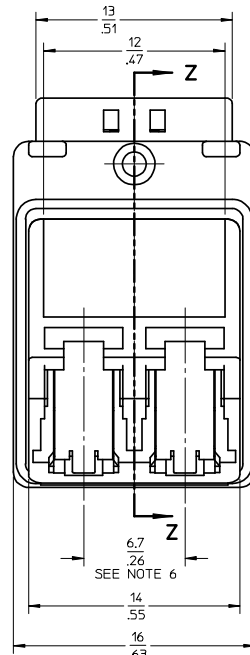
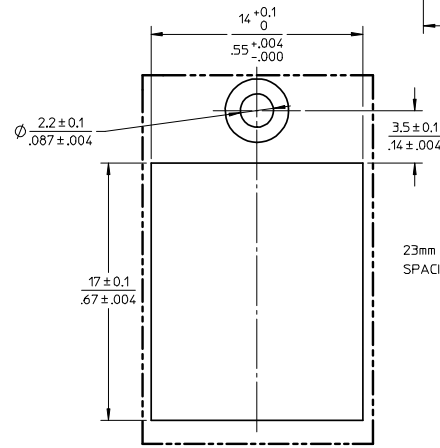
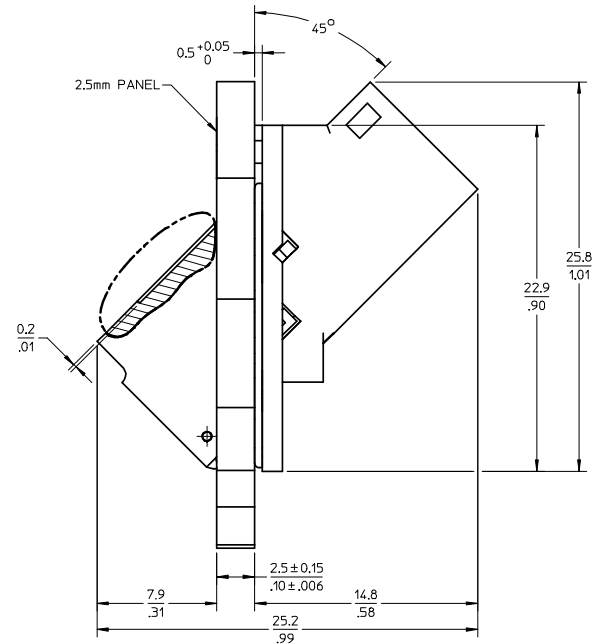


SECTION Z-Z



SEE NOTE 6



PANEL CUTOUT

NOTES:

- ALL DIMENSIONS ARE FOR REFERENCE ONLY.
- PARTS SHOWN ASSEMBLED FOR CUSTOMER REFERENCE ONLY.
- MATERIAL AND PLATING:
 - METAL RECEPTACLE HALF (LC INTERFACE) - ZINC DIE CAST W/ NICKEL PLATING
 - PLASTIC RECEPTACLE (LC/MU INTERFACE) - POLYETHER IMIDE (PEI) UL94 V-0
 - GASKET - SILICONE CONDUCTIVE ELASTOMER SNN 45.
 - SPLIT SLEEVE - ZIRCONIA
 - ALL OTHER PARTS - METAL.
- LC DUPLEX WASH CAP (DUST CAP)-TPV UL94 V-0.
- PACKAGING: FOR SHIPMENT OF THIS PRODUCT USE TRAY P/N 86934-1006 (NOT SHOWN).
- 6.7mm BETWEEN CONNECTORS. ONLY SIMPLEX CONNECTORS MAY BE USED.
- TO AVOID DAMAGING THE EMI GASKET, EXTRA CARE SHOULD BE TAKEN WHEN INSERTING ADAPTER INTO PANEL.

WORK AREA PLOT

REV	DESCRIPTION	DATE
B	ENTER DESCRIPTION	2008/04/24
	EC NO: MF2008-0252	2008/04/24
	DRWNS:SERNST	2008/04/24
	CHKD: WCHEN	2008/04/28
	APPR:WCHEN	2008/04/28

QUALITY SYMBOLS

- ▽=0
- ▽=0

GENERAL TOLERANCES (UNLESS SPECIFIED)

	mm	INCH
4 PLACES ±	---	---
3 PLACES ±	---	---
2 PLACES ±	---	---
1 PLACE ±	---	---

ANGULAR ± 1 °

DRAFT WHERE APPLICABLE MUST REMAIN WITHIN DIMENSIONS

DIMENSION STYLE

MM ONLY	SCALE	DESIGN UNITS	THIRD ANGLE PROJECTION
SCALE 4:1	DESIGN UNITS METRIC	THIRD ANGLE PROJECTION	

DRAWN BY: SERNST DATE: 2007/06/08

CHECKED BY: DATE: APPROVED BY: SM1GO DATE: 2007/06/08

TITLE

MULTI FORMAT (LC/MU) TO LC 45 DEG EMI ADAPTER (SCREW MOUNT)

MATERIAL NO. 1061009000

DOCUMENT NO. SD-106100-9000 SHEET NO. 1 OF 1

