

4

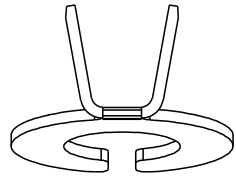
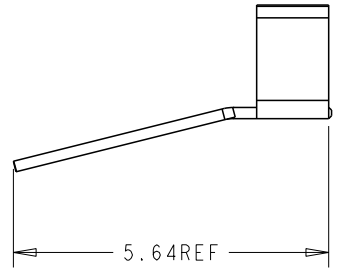
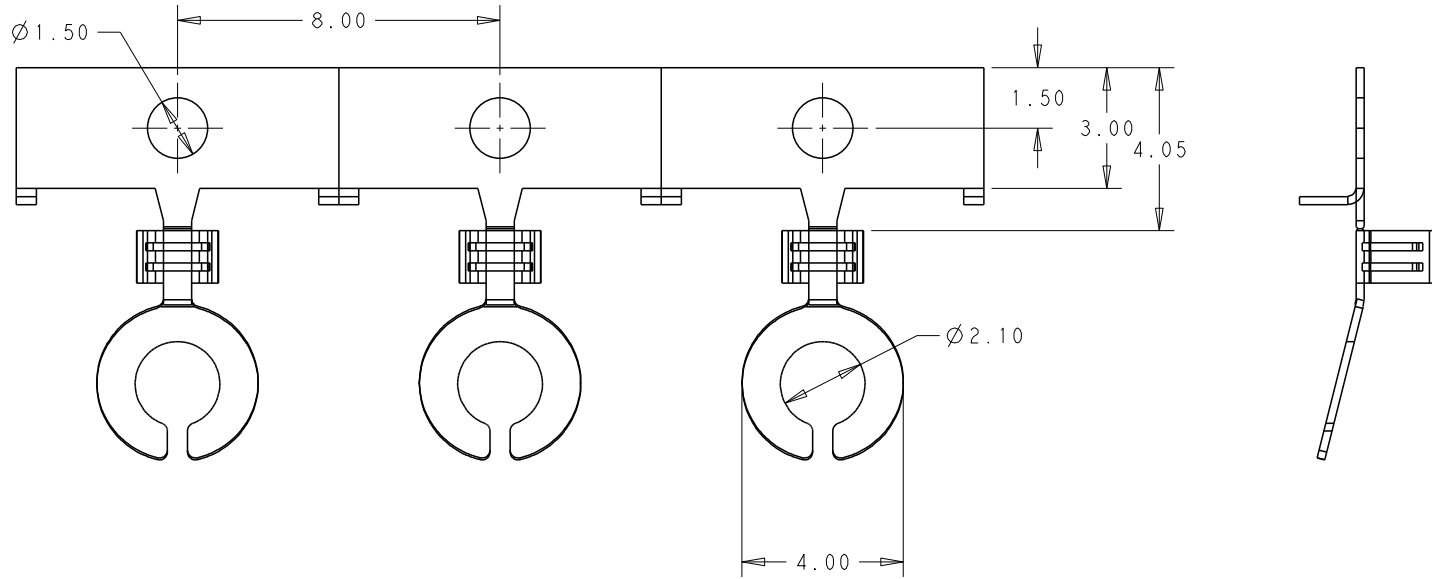
3

2


1

THIS DRAWING IS UNPUBLISHED. RELEASED FOR PUBLICATION 20
 © COPYRIGHT 20 BY - ALL RIGHTS RESERVED.

REVISIONS				
P	LTR	DESCRIPTION	DATE	APVD
	A	INITIAL RELEASED	12JUN2015	W.N/X.X



- NOTES
- 1 MATERIAL: STAINLESS STEEL, THICKNESS: 0.20±0.01mm
 - 2 WIRE SIZE: 22AWG~18AWG (0.32mm²~0.75mm²)

THIS DRAWING IS A CONTROLLED DOCUMENT.		DWN	19MAY2015		 TE Connectivity				
		CHK	19MAY2015						
		APVD	19MAY2015						
		NAME	Xiang Xu						
DIMENSIONS:		PRODUCT SPEC	108-137039		CUSTOMER DRAWING FOR GROUING CLIP				
mm		APPLICATION SPEC	114-137039						
TOLERANCES UNLESS OTHERWISE SPECIFIED:		WEIGHT	-		SIZE	CAGE CODE	DRAWING NO	RESTRICTED TO	
0 PLC	±-			A3	-	©=2271285	-		
1 PLC	±-								
2 PLC	±0.20								
3 PLC	±-								
4 PLC	±-								
ANGLES	±-								
MATERIAL	TBD								
FINISH	-								
	-								
CUSTOMER DRAWING				SCALE	8:1	SHEET	1 OF 1	REV	A