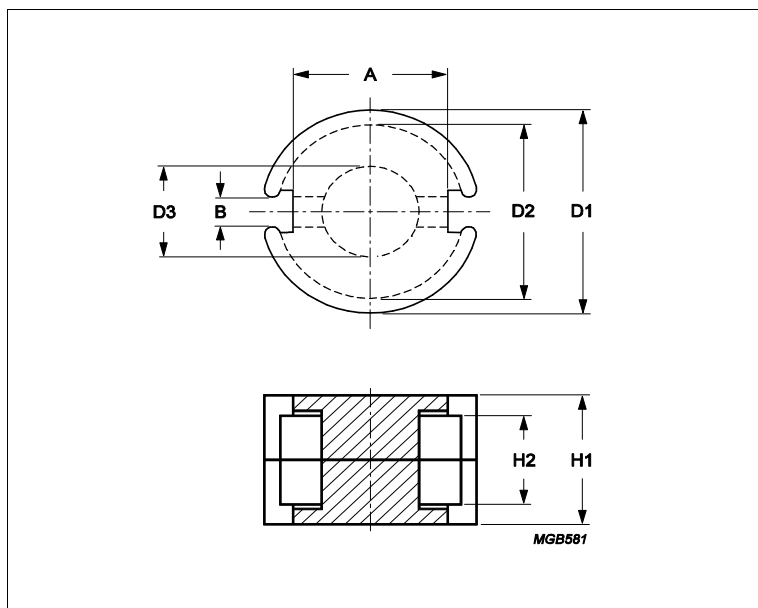


## Core **P18/11/I**



Effective parameters			
	Parameter	Value	Unit
$\Sigma(I/A)$	core factor (C1)	0.56	mm <sup>-1</sup>
<b>Ve</b>	effective volume	1270	mm <sup>3</sup>
<b>Le</b>	effective length	26.7	mm
<b>Ae</b>	effective area	47.5	mm <sup>2</sup>
<b>Amin</b>	minimum area	37.5	mm <sup>2</sup>
<b>m</b>	P18/11/I	≈ 7	g/set

Dimensions for product: P18/11/I

	Nom	Tol +	Tol -	Max	Min	Unit
<b>A</b>	13.40	0.30	0.30	13.70	13.10	mm
<b>B</b>	3.80	0.60	0.60	4.40	3.20	mm
<b>D1</b>	17.90	0.30	0.30	18.20	17.60	mm
<b>D2</b>	15.10	0.25	0.25	15.35	14.85	mm
<b>D3</b>	7.40	0.15	0.15	7.55	7.25	mm
<b>H1</b>	10.60	0.15	0.15	10.75	10.45	mm
<b>H2</b>	7.20	0.40	0.00	7.60	7.20	mm

Inductance factor

Material	Value	Tol +	Tol -	Unit
3C91	4200	25%	25%	nH/turns <sup>2</sup>
3C95	4200	25%	25%	nH/turns <sup>2</sup>
3F36	2300	25%	25%	nH/turns <sup>2</sup>
3F46	1500	25%	25%	nH/turns <sup>2</sup>

Power loss: 3C91

Measuring conditions			Max	Unit
100 kHz	200 mT	60 °C	0.640	W/set

Power loss: 3C95

Measuring conditions			Max	Unit
100 kHz	200 mT	100 °C	0.610	W/set
100 kHz	200 mT	25 °C	0.660	W/set

Power loss: 3F36

Measuring conditions			Max	Unit
----------------------	--	--	-----	------

## Core **P18/11/I**

### Power loss: 3F36

Measuring conditions			Max	Unit
500 kHz	50 mT	100 °C	0.190	W/set
500 kHz	100 mT	100 °C	1.500	W/set

### Power loss: 3F46

Measuring conditions			Max	Unit
1000 kHz	50 mT	100 °C	0.510	W/set
3000 kHz	10 mT	100 °C	0.230	W/set

### Bsat

Measuring conditions			Material	Min	Unit
25 kHz	250 A/m	100 °C	3C91	320	mT
25 kHz	250 A/m	100 °C	3C95	330	mT
25 kHz	250 A/m	100 °C	3F36	340	mT
25 kHz	250 A/m	100 °C	3F46	330	mT

### Accessories

Ordering name	Description	Ordering code
CP-P18/11-1S	Coil former, termoplastic	432202102381
CP-P18/11-1S-A	Coil former, termoplastic	433500026071
CP-P18/11-2S	Coil former, termoplastic	432202102391
CP-P18/11-3S	Coil former, termoplastic	432202102401
CP-P18/11-3S-A	Coil former, termoplastic	433500026091
CPV-P18/11-1S-6PDL	Coil former, termoplastic, vertical	433506026441
CPV-P18/11-1S-6PD-Z	Coil former, termoplastic, vertical	433506026431
CPV-P18/11-2S-6PD-Z	Coil former, termoplastic, vertical	433506026451
CPV-P18/11-3S-6PD-Z	Coil former, termoplastic, vertical	433506026471