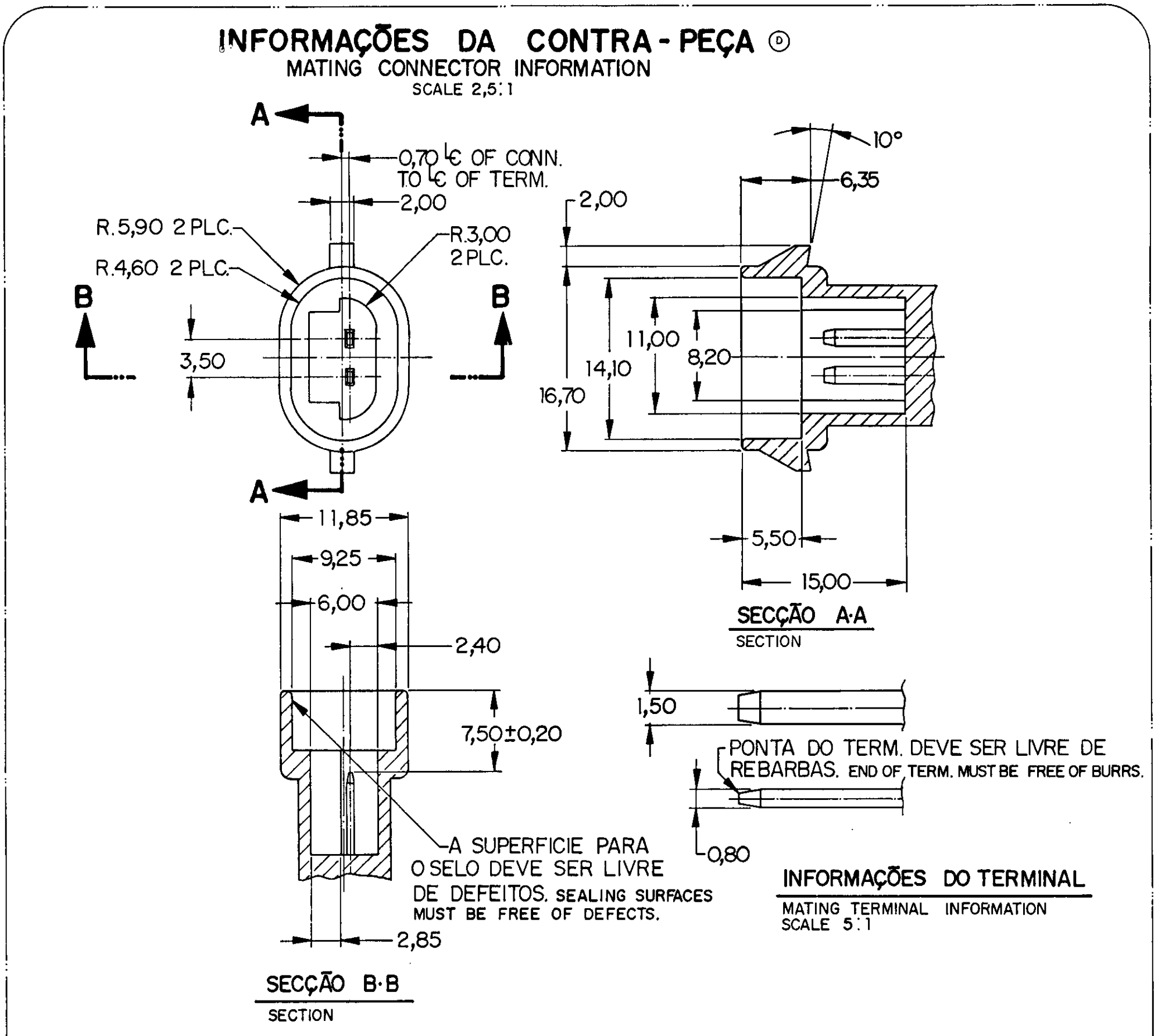
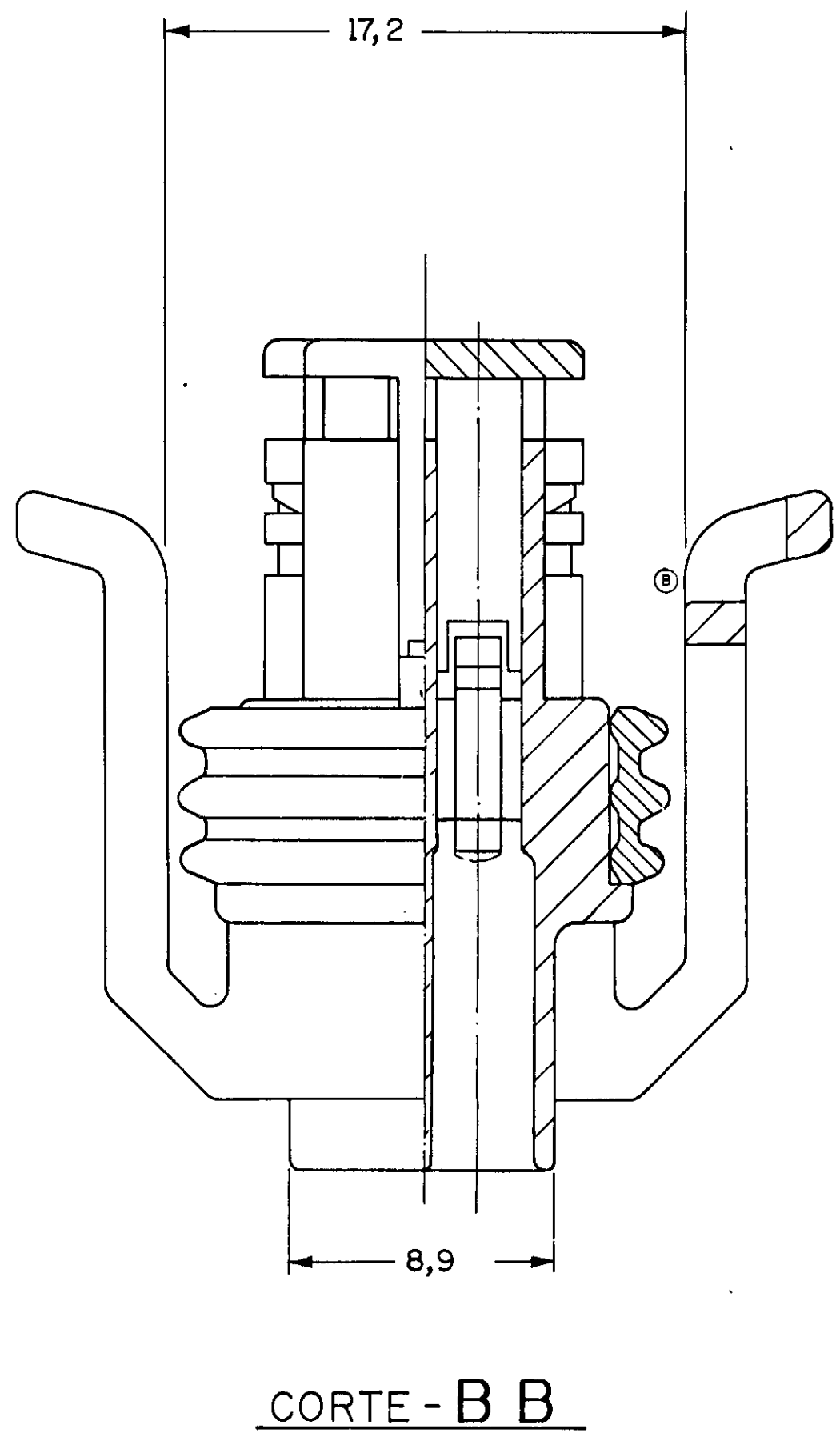
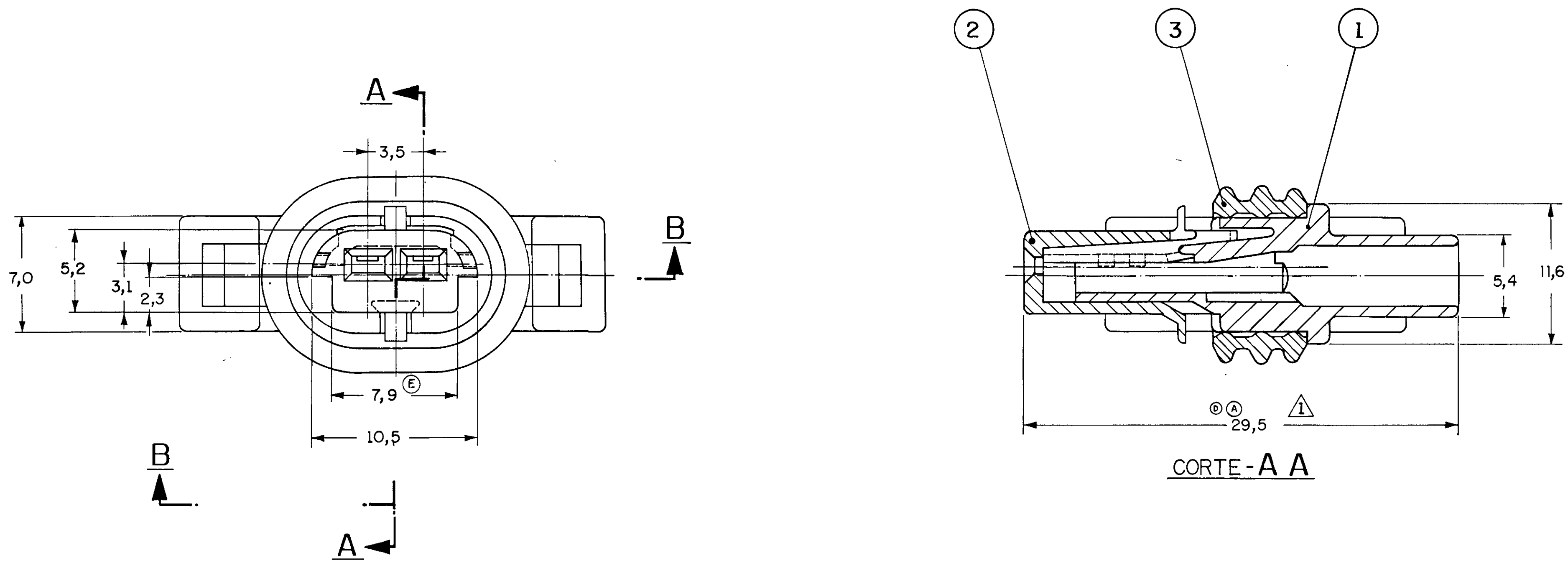


SHEET  
C444040  
1 of 1

444040		DO NOT SCALE		METRIC		3rd ANGLE PROJECTION	
		DIMENSIONS IN mm.					
REQ. PER ASSY	ITEM No	DESCRIPTION	MATERIAL	FINISH			
-	1	HOUSING, 2 POSN., MULTI LOCK REC.	PA. 6-6	VERDE / GREEN			
1	2	SPACER, 2 POSN., MULTI LOCK REC.	PA. 6-6	AMARELO / YELLOW			
-	3	SEAL RING 2 POSN.	FLUOR SILICONE	MARRON / BROWN			
1	3	SEAL RING 2 POSN.	SILICONE	VERDE / GREEN			
1	1	HOUSING, 2 POSN., MULTI LOCK REC.	PA. 6-6	PRETO / BLACK			



△-AS TRAVAS DEVEM ESTAR NA POSIÇÃO COMO MOSTRADO.  
-THE LOCKS MUST BE IN SHOWN POSITION.

2-GRAVAÇÕES QUE DEVERÃO CONSTAR:  
-MARCA REGISTRADA AMP, NÚMERO DA PEÇA AMP, IDENTIFICAÇÃO DE CIRCUITO, NÚMERO DE CAVIDADE.

-STAMP THAT MUST BE EVIDENT:  
-TRADEMARK AMP, PART NUMBER AMP, CIRCUIT IDENTIFICATION, MANUFACTURER COUNTRY CODE, CAVITY IDENTIFICATION.

TOLERANCIA NÃO ESPECIFICADA = ±0,10  
TOLERANCE NOT SPECIFIED.

OTHER TREATMENT	FINISH	MATERIAL	PART NUMBER
CUSTOMER DWG	THIS DRAWING IS UNPUBLISHED. RELEASED FOR PUBLICATION BY AMP DO BRASIL LTDA. S.P. ALL INTERNATIONAL RIGHTS RESERVED. AMP PRODUCTS MAY BE COVERED BY U.S. AND FOREIGN PATENTS AND/OR PATENTS PENDING.		
	TOLERANCES UNLESS OTHERWISE STATED	INS DIA RANGE	WIRE RANGE
	DEC. 20,3		SCALE 5:1
	ANGLES ±1°		
E ERA 8,0	EC:LB399-93	Dori	04Nov93
D1	REVISADO EC-241-93	Briz	200793
D	REVISADO EC-098-93	PF	04Nov93
C	REVISADO ECN-3343	PF	30.12.92
B	REVISADO ECN-3343	Briz	1009.92
A	ERA 27,7	Briz	31Aug92
O	ERA P91-29306	DORI	02.07.92
ISS	REVISION RECORD	DR	CHK DATE APP

DESCRIPTION: HOUSING ASSY, 2 POSN. MULTI LOCK RECP.

AWG NO: A1 DWG NO: C444040 SHEET: 1 of 1

This information is confidential and is disclosed to you on condition that no further disclosure is made by you to other than AMP personnel without written authorization from AMP DO BRASIL - S.P.