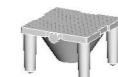
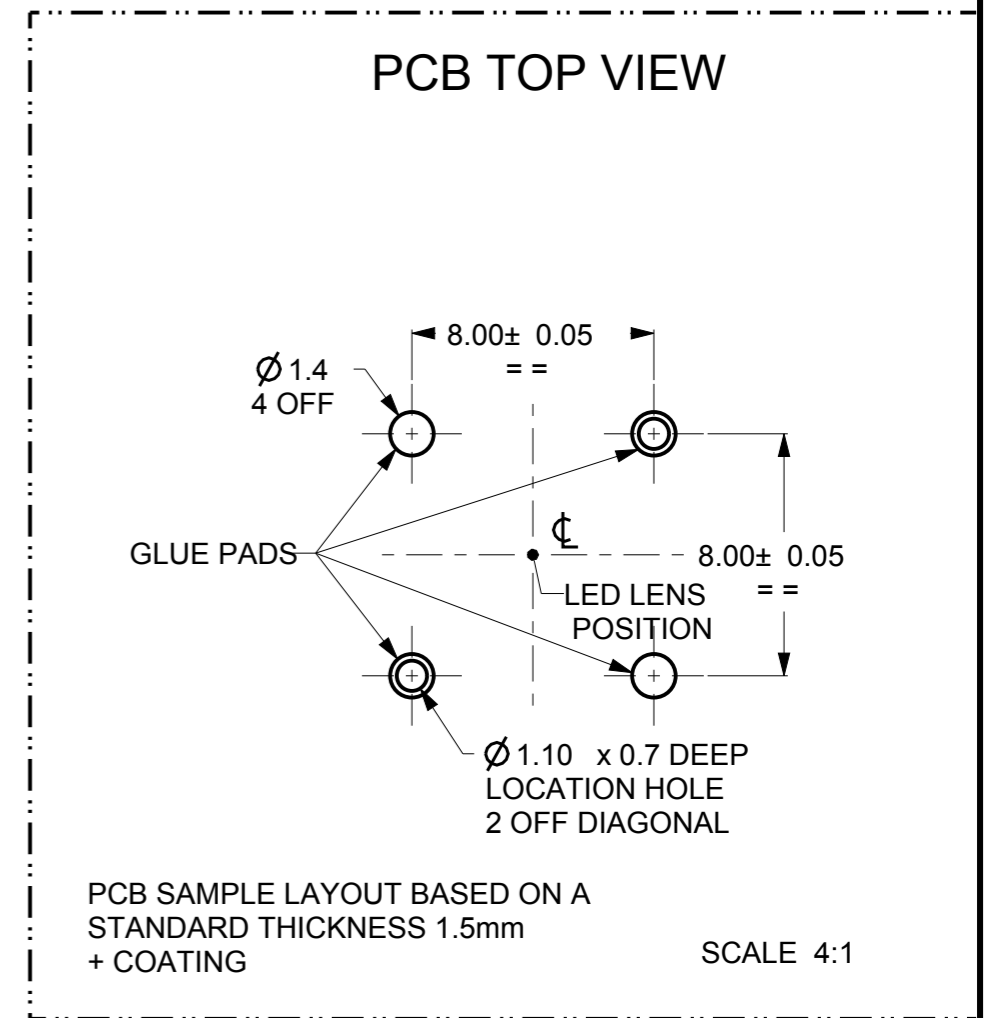
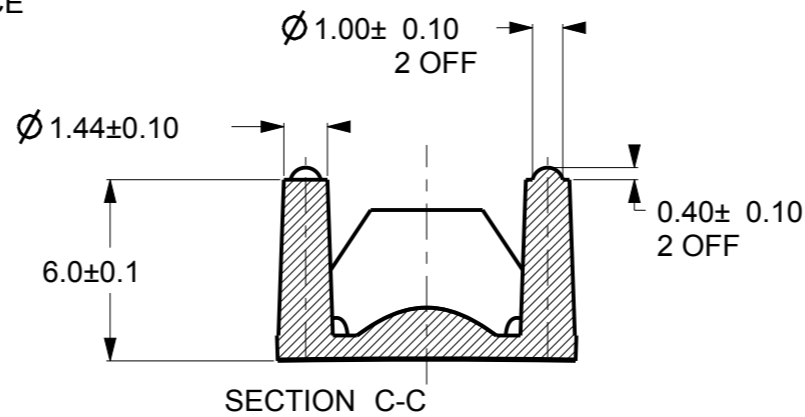
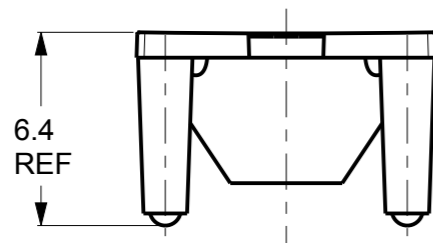
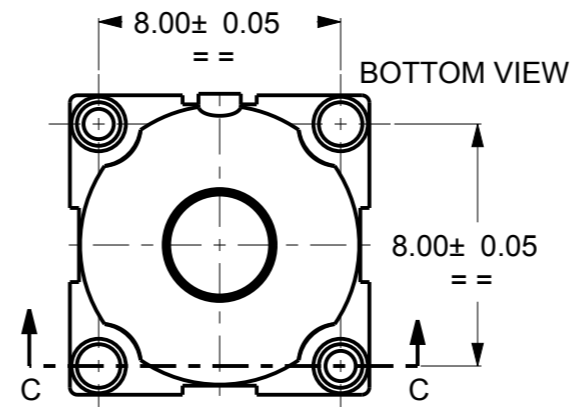
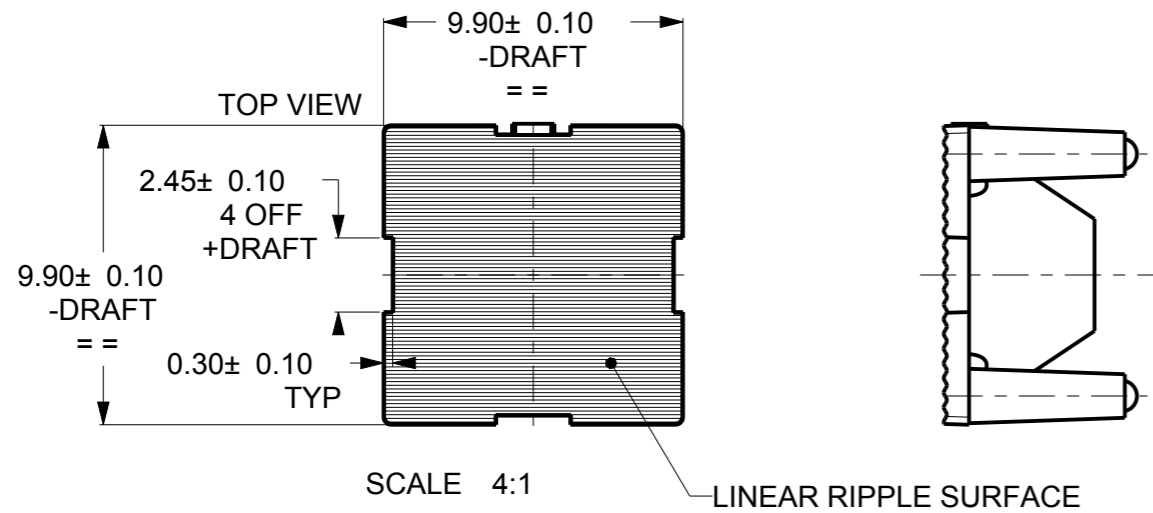


CUSTOMER DRAWING

SHEET 2 ONLY

| REV. | DATE | D.C.N. NUMBER | DESCRIPTION | CHECKED BY DATE | APPROVED BY DATE |
|------|----------|---------------|---|------------------|------------------|
| 1 | 02/04/08 | | FIRST ISSUE | NAME dd/mm/yy | NAME dd/mm/yy |
| 1 A | 17/03/11 | 03/11/1291 | NOTE CHANGE + DIM CHANGE | NAME dd/mm/yy | NAME dd/mm/yy |
| 1 B | 05/12/11 | 12-11-1322 | DRAWING UPDATED WITH NEW DRW. STANDARDS AND NEW CARCLO OPTICS FORMAT FOR FULL DETAILS SEE D.C.N | PW 16/07/12 | MH 16/07/12 |



SCALE 1:1

Sheet 2 of 2

NOTES:

- 1 - MATERIAL: POLYCARBONATE
- 2 - FINISH: COMMERCIAL POLISH FOR ALL NON OPTICAL SURFACES. OPTICAL SURFACES ARE OPTICALLY POLISHED
- 3 - OVERALL PART THICKNESS = SEE 3D FILE
- 4 - COLOUR CLEAR
- 5 - GENERAL DRAFT 2°
- 6 - SIMPLIFIED GEOMETRY SHOWN. NOT SUITABLE FOR OPTICAL RAYTRACE

| | | | | | | | | | |
|---|--|--|----|--|--------|---|-------|--|--|
| | | Title | | 10mm SQUARE ELLIPTICAL BEAM OPTIC | | | | | |
| 103 Buckingham Avenue, SL1 4PF, U.K. Tel: +44 (0)1753 575 011 Fax: +44 (0)1753 811 359 sales@carclo-optics.com www.carclo-optics.com | | Drawn by | FP | Customer | CARCLO | | Scale | AS SPEC. | |
| THIRD ANGLE PROJECTION | | GENERAL TOLERANCES UNLESS OTHERWISE STATED LINEAR ANGULAR 0 ± 0.25 0 ± 1° 0.0 ± 0.1 0.0 ± 0.5° 0.00 ± 0.05 0.00 ± 0.1° | | CARCLO Optics CONFIDENTIAL: UNAUTHORISED COPYING, DISCUSSION & DISTRIBUTION PROHIBITED | | DIMENSIONS IN mm Format Size A3 | | CAD File 60518 Part N° 10415 Drw N° 60518 | |