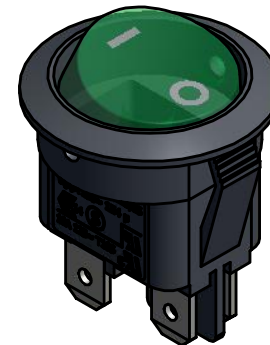
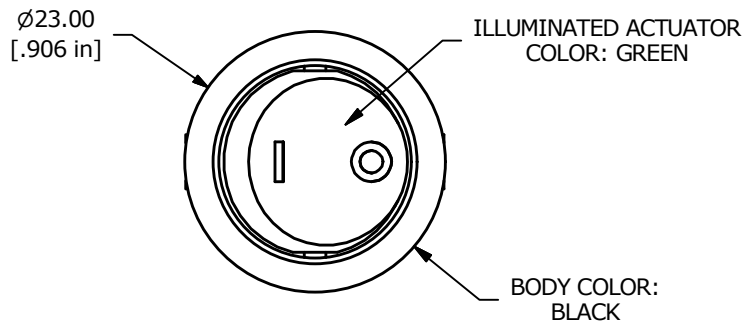


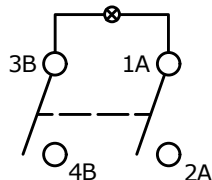
▲ PANEL CUTOUT

PANEL THICKNESS	(X) DIM.
0.75 TO 1.25	20.2mm
1.25 TO 2.00	20.4mm
2.00 TO 3.00	20.6mm



▲ SWITCH FUNCTION

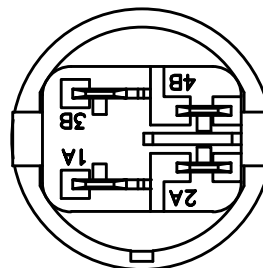
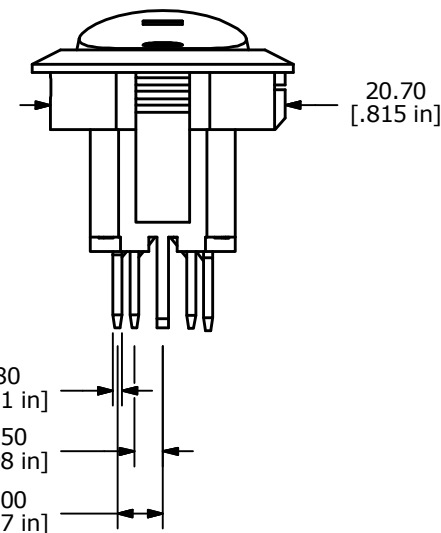
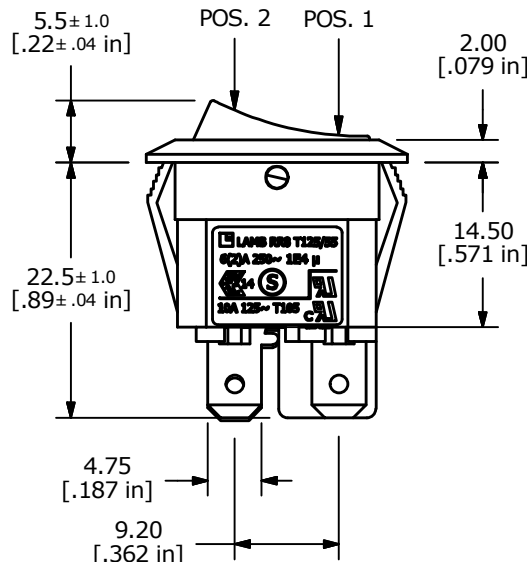
POS. 1	POS. 2
OFF	ON
OPEN	3B-4B, 1A-2A



CIRCUIT: DPST  
FUNCTIONS  
▲ OFF - ON

NOTE:

1. DIMENSIONS IN MM [INCH]
2. GENERAL TOLERANCE: X.X = ± 0.4  
X.XX = ± 0.25
3. TERMINAL NUMBERS FOR REF ONLY
- ▲ 4. CONTACT MATERIAL: SILVER
- ▲ 5. CONTACT RATING: 10A 125VAC [UL, cUL]  
6(2)A @ 250V~ μ 1E4 T125/55 [ENEC14, SEMKO]
6. CONTACT RESISTANCE: 35mΩ MAX. @ 50VAC
7. INSULATION RESISTANCE: 100MΩ MIN. @ 500VAC
8. DIELECTRIC STRENGTH: 1,500VAC FOR 1 MINUTE
9. ELECTRICAL LIFE: 6,000 CYCLES [UR, cUR]  
10,000 CYCLES [ENEC14, SEMKO: 10(4)A 250V~]
10. OPERATING TEMPERATURE: -20°C TO 105°C [UR, cUR]  
-20°C TO 125°C [ENEC14, SEMKO]
11. ▲ DENOTES CRITICAL PARAMETER
12. 2011/65/EU (ROHS) COMPLIANT
- ▲ 13. LENS COLOR, GREEN
- ▲ 14. LAMP VOLTAGE, 12V



REV	PCR NO	DESCRIPTION	DATE	BY
C	22414	UPDATED CONTACT RATING	7/28/16	MJR
B	22401	ADDED BOTTOM VIEW	7/22/16	MJR
A	20524	RELEASE FOR PRODUCTION	3/8/12	MM



TITLE RR8123102R-134				
SCALE 3:2	DATE 3/8/2012	DR BGL	DWG 38-RR8123102R134	REV C