

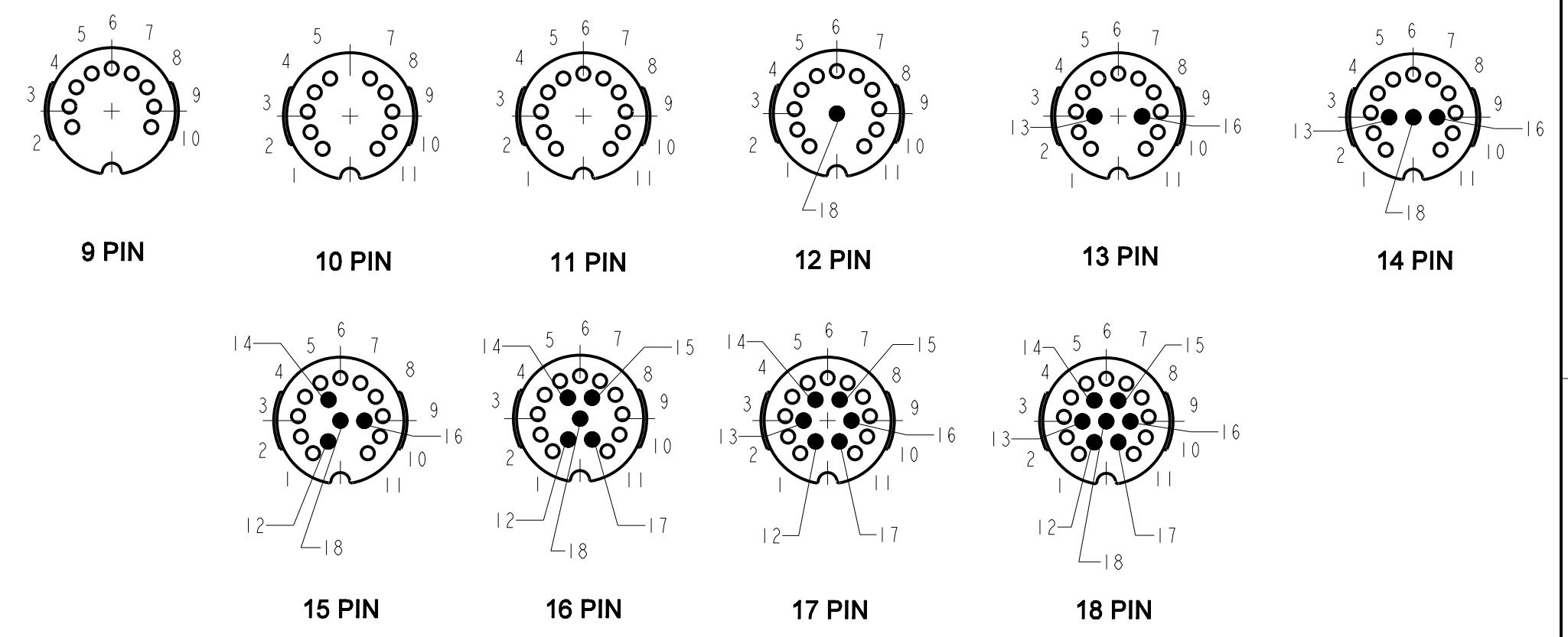
SPECIFICATIONS

MECHANICAL:
 SHOCK: MIL-STD 202 METHOD 213B, COND. K.
 VIBRATION: MIL-STD 202 METHOD 201A
 LIFE: 1000 INSERTION/WITHDRAWAL CYCLES (MINIMUM)

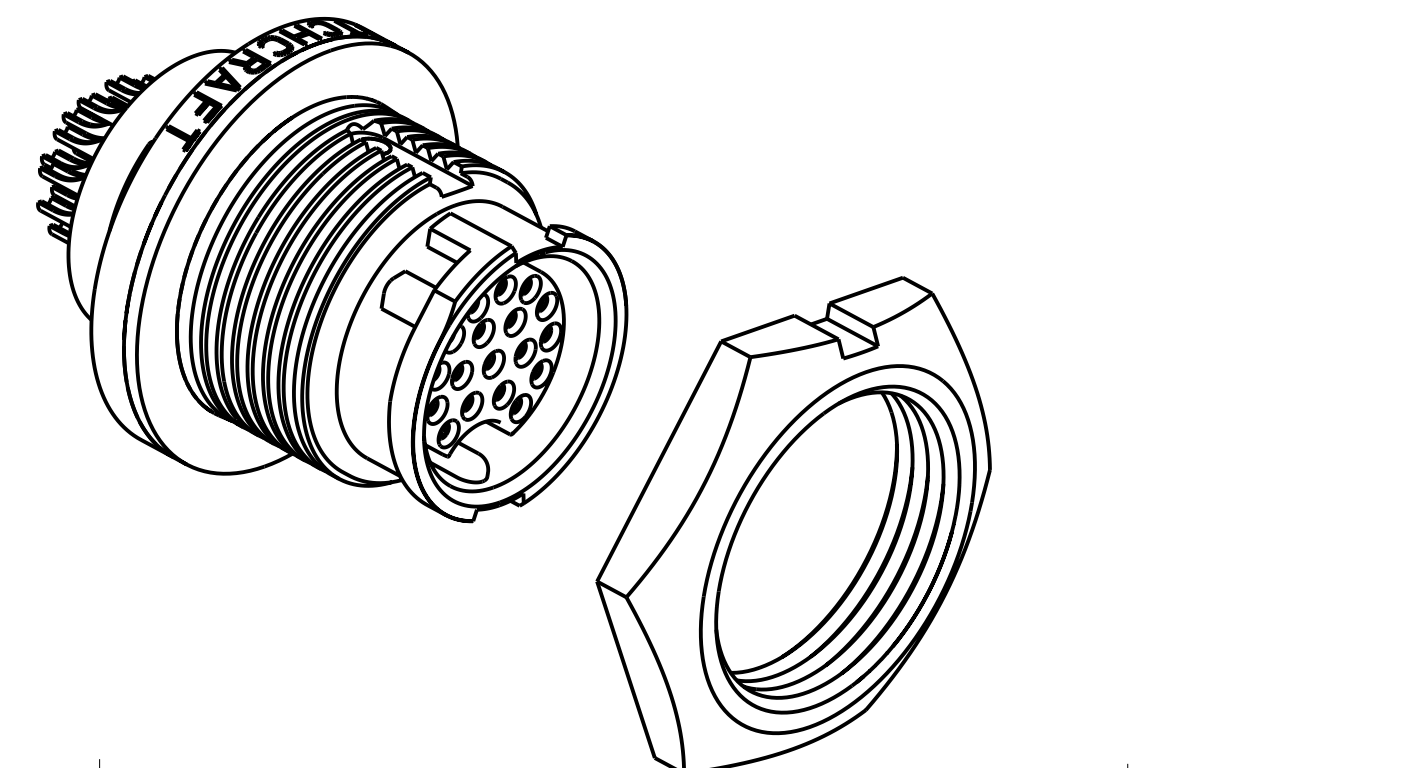
ELECTRICAL
 DIELECTRIC WITHSTANDING VOLTAGE: 250 VAC
 INSULATION RESISTANCE: 100 MEGOHMS (MIN) AT 77°F
 CONTACT RESISTANCE: 10.0 MILLOHMS MAX.
 CURRENT RATING: 2.0 AMPS

ENVIRONMENTAL
 TEMPERATURE LIMITS: -40°C TO +65°C (NON-OPERATING)
 MOISTURE RESISTANCE: MIL-STD 202 METHOD 106F
 INSULATION RESISTANCE: MIL-STD 202 METHOD 302, COND. B
 THERMAL SHOCK: MIL-STD 202 METHOD 107G
 SALT SPRAY: MIL-STD 202 METHOD 101D, COND. B
 WATER TIGHTNESS TEST: U.S. COAST GUARD CFR 46 PART 110.20

- NOTES:**
- HEX NUT TORQUE:
8 TO 10 INCH-LBS. OF TORQUE
(MUST NOT EXCEED 10 INCH-LBS.)
 - HEX NUT SHIPPED UNASSEMBLED.



CONTACT ARRANGEMENTS - VIEWED FROM REAR OF CONNECTOR (WIRING SIDE)
 HOLES USED DENOTED BY NUMBER REFERENCED IN 18 PIN LAYOUT

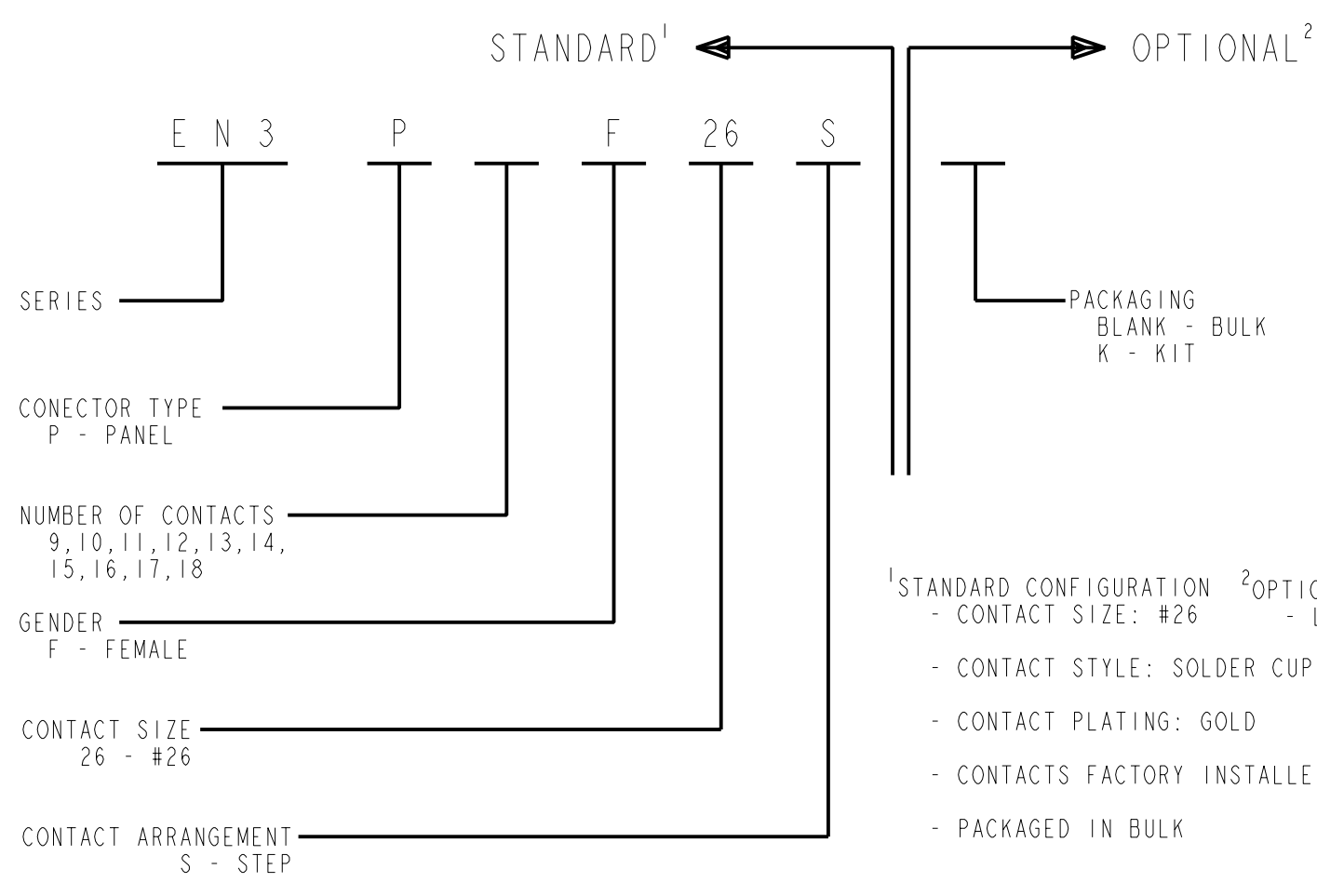
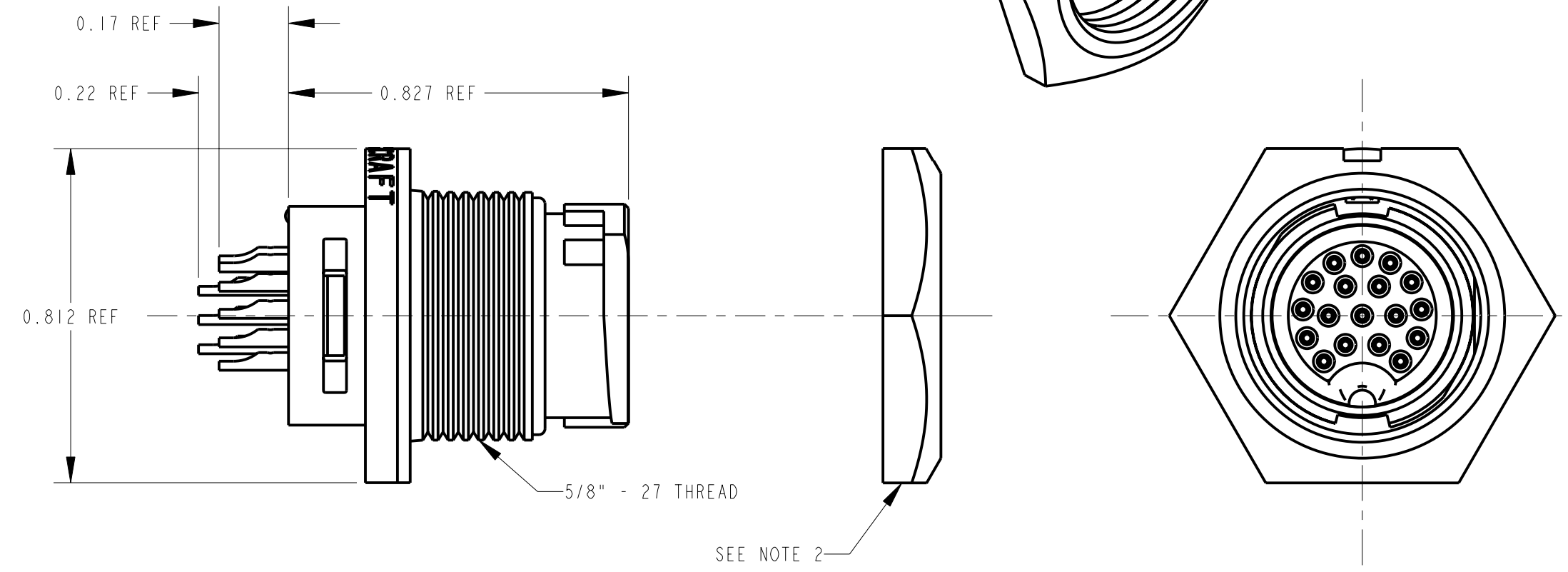


MATERIALS:
 PANEL CONNECTOR SHELL, CONTACT LOCKING DISC:
THERMOPLASTIC POLYMER GLASS FIBER, FLAME RETARDANT

CONNECTOR SHELL INTERIOR:
THERMOPLASTIC RUBBER

CONTACTS: COPPER BASE ALLOY GOLD-PLATED
OVER NICKEL UNDERPLATE

HEX NUT: THERMOPLASTIC



CUSTOMER DRAWING

★ STAR SYMBOL DENOTES CRITICAL DIMENSION				THIS DRAWING DESCRIBES A DESIGN CONSIDERED PROPRIETARY IN NATURE, DEVELOPED AND MANUFACTURED BY SWITCHCRAFT INC. AND IS RELEASED ON A CONFIDENTIAL BASIS FOR IDENTIFICATION PURPOSES ONLY.							
UNLESS OTHERWISE SPECIFIED		SIZE		WIDTH		MULT		LBS/M		TEMPER	
1. ALL DIMENSIONS IN INCHES - TWO PLACE DECIMALS ±0.01 - THREE PLACE DECIMALS ±0.005 - ANGLES ±1° - ALL DIA. CONCENTRIC WITHIN 0.005 T.I.R.				FINISH		MATERIAL		SPEC No.			
2. FEATURES ON THE SAME CENTERLINE MUST BE ALIGNED WITHIN ±0.002				FIRST USED ON		SCALE		3:1			
3. REMOVE ALL BURRS				DATE DRAWN		BY		CHKD		APVD	
DO NOT SCALE DRAWING				6-15-99		SG		6-15-99		AY	
REVISIONS				NAME		PART No.		REV			
REV				ECO NUMBER		DATE		BY		APVD	
D 24661 3-8-04 JL EB				FEMALE PANEL CONNECTORS		26 GAUGE CONTACTS-STEP VERSION		EN3P_F26S D			
C 24625 2-6-04 JL TJK				26 GAUGE CONTACTS-STEP VERSION		EN3P_F26S		D			
B 23595 2-6-04 JL TJK											
A RELEASE TO PROD. 23387 7-31-00 JL BP											