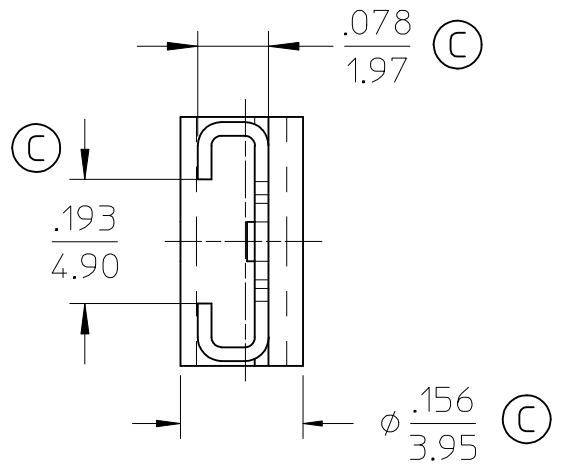
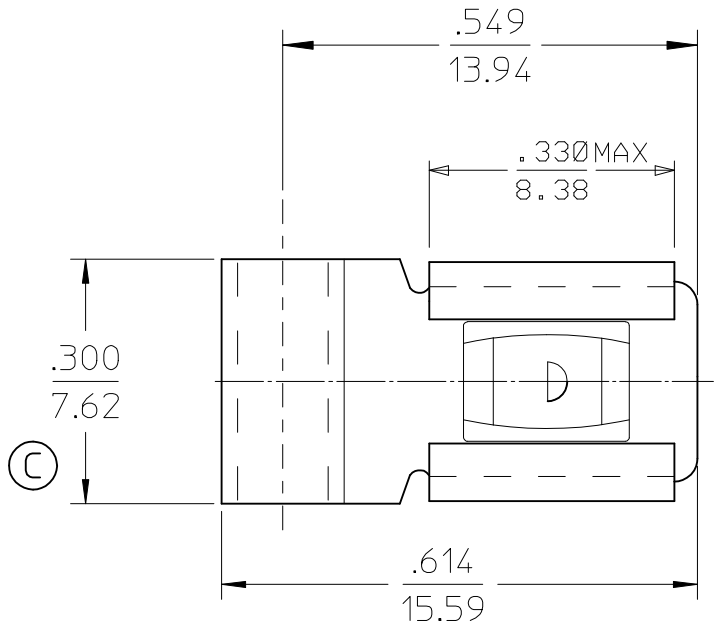
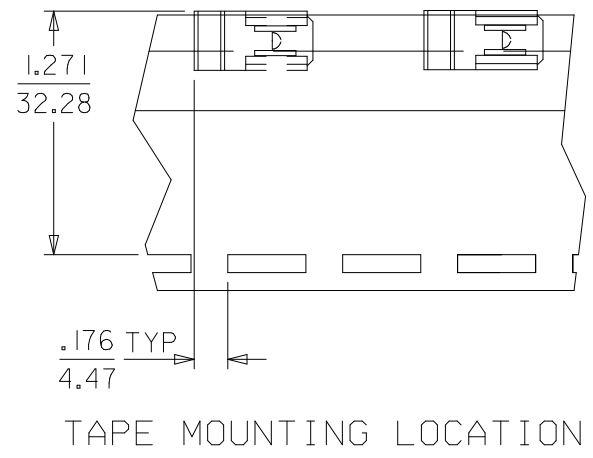


MATERIAL NUMBER	ENGINEERING NUMBER	PLATING	CARRIER
I90080062	B-175P	NON-PLATED	LOOSE PIECE
I90080038	B-175	TIN PLATED	LOOSE PIECE
I90080039	B-175T	TIN PLATED	TAPE



SALES DRAWING

- NOTES:
- MATERIAL: BRASS
 - PLATING SEE CHART.
 - RoHS COMPLIANT

UPDATE DIM PER ENG
EC NO: IPG2016-1554
DRWN:GROJAS01 2016/05/18
CHKD:JMACNEIL 2016/05/18
APPR:JMACNEIL 2016/05/31

QUALITY SYMBOLS	DESCRIPTION
▼=0	
ⓐ=0	

GENERAL TOLERANCES (UNLESS SPECIFIED)	
	mm INCH
4 PLACES	± --- ± ---
3 PLACES	± --- ± .010
2 PLACES	± 0.25 ± .010
1 PLACE	± 0.3 ± ---
ANGULAR ± ---°	
DRAFT WHERE APPLICABLE MUST REMAIN WITHIN DIMENSIONS	

DIMENSION STYLE	
IN/MM	
DRAWN BY	DATE
JLOMASTRO	10/07/06
CHECKED BY	DATE
JMACNEIL	10/07/06
APPROVED BY	DATE
JMACNEIL	10/07/06
MATERIAL NO.	SEE CHART

SCALE	DESIGN UNITS	THIRD ANGLE PROJECTION
---	INCH	ⓐ
TITLE		
FLAG UNINSULATED KRIMPTITE 12-14 AWG .250 X .032 TAB SIZE		
MOLEX INCORPORATED		
DOCUMENT NO.	SD-19008-009	SHEET NO.
		1 OF 1
THIS DRAWING CONTAINS INFORMATION THAT IS PROPRIETARY TO MOLEX INCORPORATED AND SHOULD NOT BE USED WITHOUT WRITTEN PERMISSION		