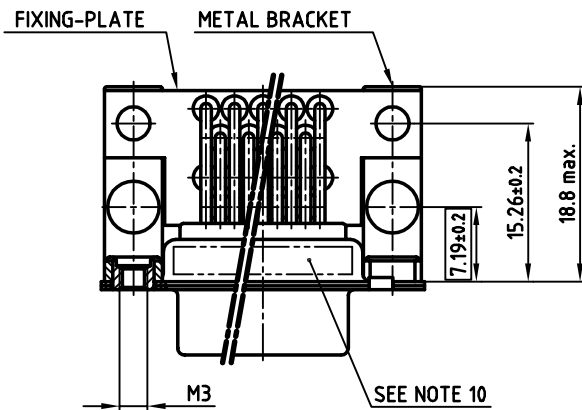
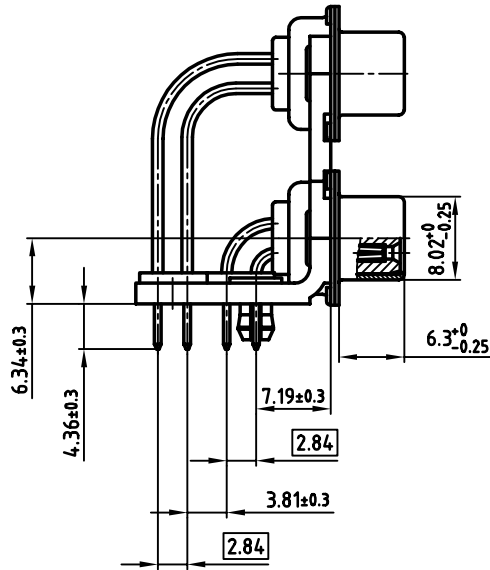
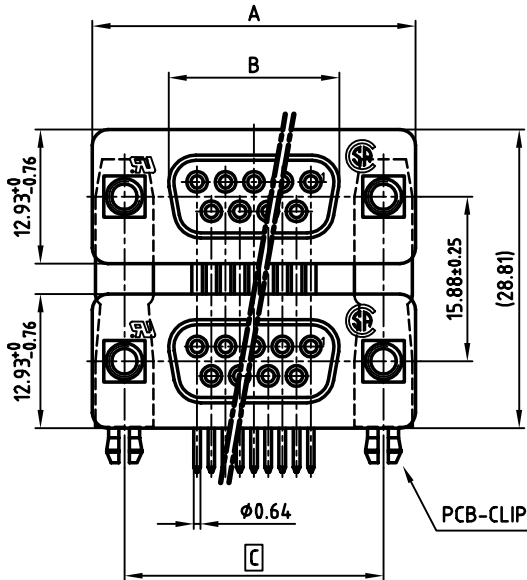


used for: D-SUB Dual Port

POS.	A -0.76	B -0.25	C	PART-NO.
2x 9	31.19	16.46	25.00 <sup>+0.12</sup> <sub>-0.13</sub>	<b>164A20489X</b>
2x15	39.52	24.79	33.30 <sup>+0.15</sup> <sub>-0.1</sub>	<b>164A20499X</b>
2x25	53.42	38.50	47.04 <sup>+0.13</sup>	<b>164A20509X</b>
2x37	69.70	54.96	63.50 <sup>+0.13</sup>	<b>164A20519X</b>



**NOTES:**

- METALSHELLS: STEEL; min. 320µ" TIN
- INSULATORS: PBT GF UL 94 V-0, BLACK
- CONTACTS: COPPER ALLOY  
PLATING: 8µ" HARD GOLD OVER min. 50µ" NICKEL
- METAL BRACKET: STEEL; min. 320µ" TIN over 80µ" NICKEL
- THREADED INSERT: COPPER ALLOY; min. 200µ" TIN over 80µ" NICKEL
- FIXING-PLATE: PBT GF UL 94 V-0, BLACK
- PCB-SNAP: COPPER ALLOY; min. 200µ" TIN over 80µ" NICKEL  
PCB-HOLE:  $\phi 3.1 \pm 0.1$ ; PCB THICKNESS 1.6mm
- P.C.B. HOLE DRILLINGS ON SHEET 2 + 3
- MAXIMUM TORQUE VALUE FOR THREAD: 6" LBS
- CONNECTOR IS PART MARKED: PART-NO. CONEC Y/WW
- = CRITICAL DIMENSION

Directive 2002/95/EC  
"RoHS"  
Compliant

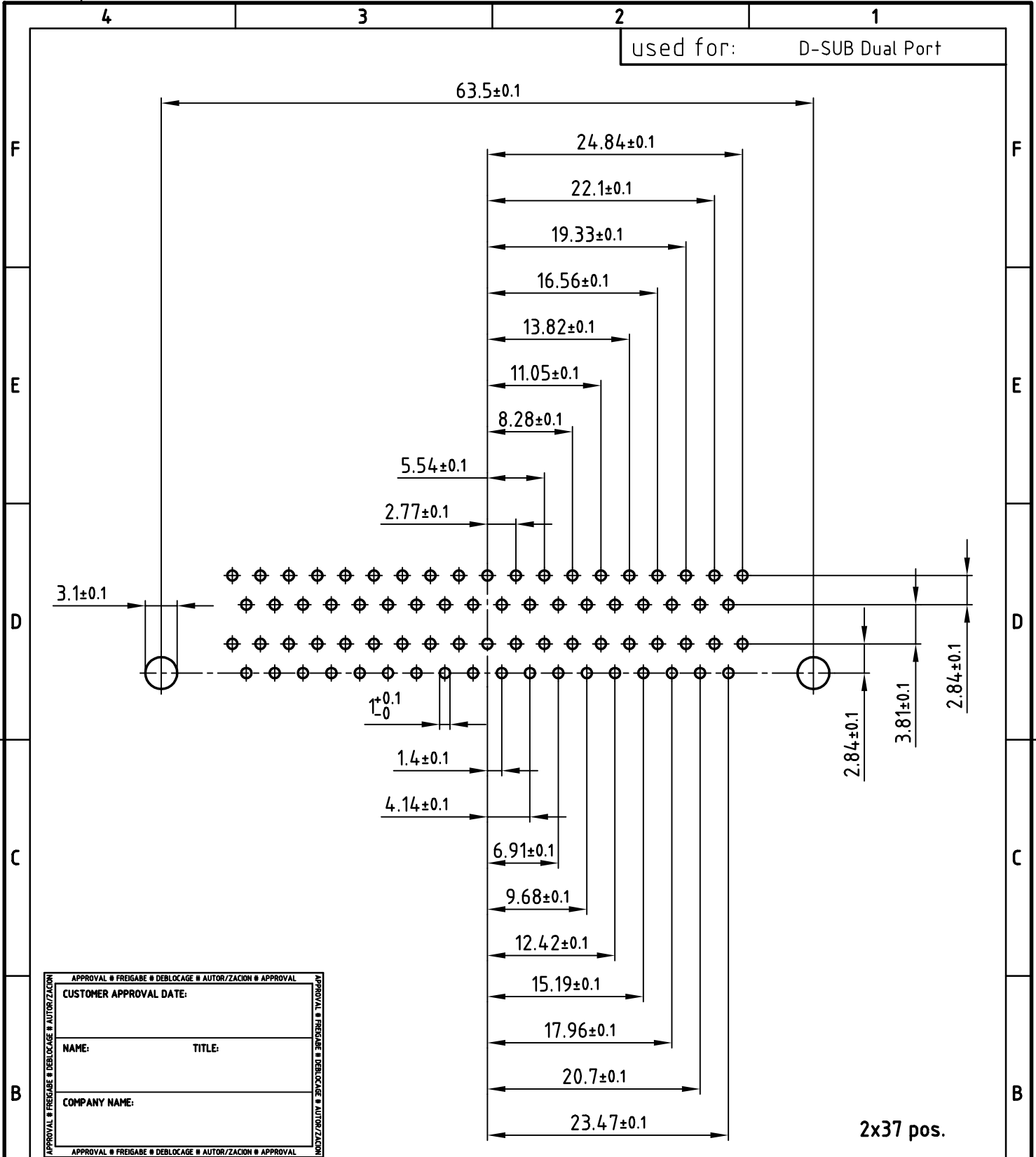
APPROVAL # FREIGABE # DEBLOCAGE # AUTORIZACION # APPROVAL	
CUSTOMER APPROVAL DATE:	
NAME:	TITLE:
COMPANY NAME:	
APPROVAL # FREIGABE # DEBLOCAGE # AUTORIZACION # APPROVAL	

THIS DRAWING MAY NOT BE COPIED OR REPRODUCED IN ANY WAY, AND MAY NOT BE PASSED ON TO A THIRD PARTY, WITHOUT WRITTEN PERMISSION.  
OWNERSHIP AND COPYRIGHT OF CONEC GmbH  
DO NOT ALTER CAD DRAWING BY HAND

rev.	description	date	name

tolerance		 dim. in mm
2003	date	
drawn	23.01.	name
appd.	23.01.	Kühle
norm	DIN 41652	
d-old		
<b>CONEC</b>		

scale:	2:1
material:	SEE NOTES
title:	
<b>DUAL PORT 15.88mm</b>	
FEMALE / FEMALE 2x9pos. - 2x37pos. with threaded insert and 2 x PCB clip	
dwg no:	AutoCAD 2000
<b>16K1A861</b>	
part no:	SEE TABLE
DIN-A	3
sh:	1/3



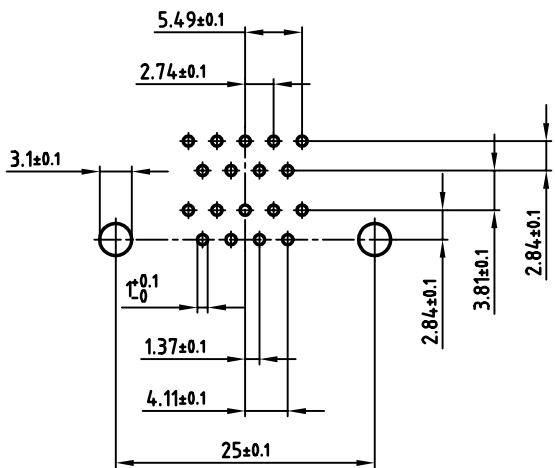
THIS DRAWING MAY NOT BE COPIED OR REPRODUCED IN ANY WAY, AND MAY NOT BE PASSED ON TO A THIRD PARTY WITHOUT WRITTEN PERMISSION.  
 OWNERSHIP AND COPYRIGHT OF CONEC GmbH  
 DO NOT ALTER CAD DRAWING BY HAND

tolerance		dim. in mm	
2003	date	name	
drawn	23.01.	Parei	
appd.	23.01.	Kühle	
norm	DIN 41652		
d-old			
rev.	description	date	name

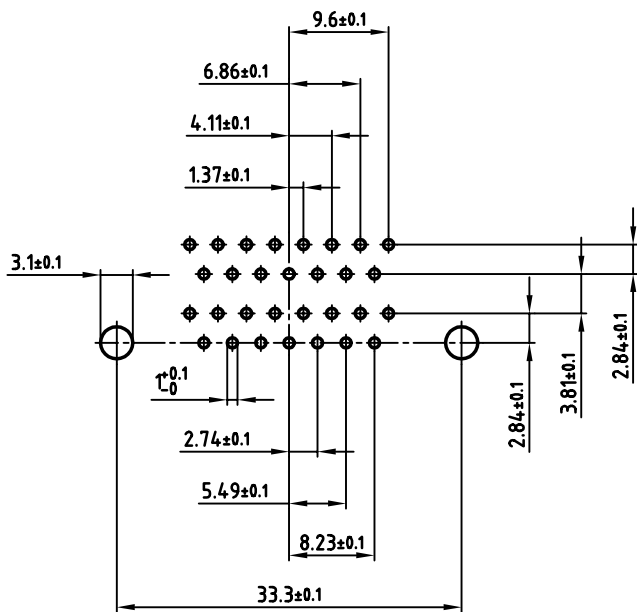


scale:	2:1	
material:	SEE SHEET 1	
title:	P.C.B. HOLE DRILLINGS DUAL PORT 15.88mm FEMALE / FEMALE with threaded insert and 2 x PCB clip	
dwg no:	AutoCAD 2000	DIN-A
	16K1A861	4
		sh:3/3
part no:	SEE SHEET 1	

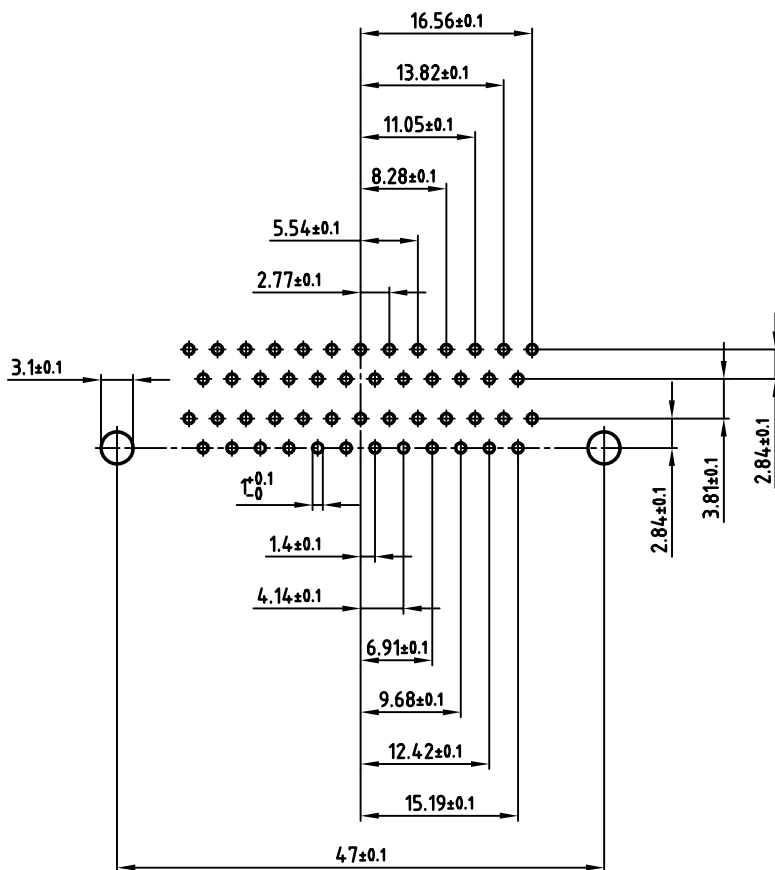
used for: D-SUB Dual Port



2x9 pos.



2x15 pos.



2x25 pos.

APPROVAL # FREIGABE # DEBLOCAGE # AUTORIZACION # APPROVAL

CUSTOMER APPROVAL DATE:

NAME: TITLE:

COMPANY NAME:

APPROVAL # FREIGABE # DEBLOCAGE # AUTORIZACION # APPROVAL

THIS DRAWING MAY NOT BE COPIED OR REPRODUCED IN ANY WAY, AND MAY NOT BE PASSED ON TO A THIRD PARTY, WITHOUT WRITTEN PERMISSION. OWNERSHIP AND COPYRIGHT OF CONEC GmbH DO NOT ALTER CAD DRAWING BY HAND

rev.	description	date	name

tolerance	dim. in mm	
2003		
drawn	date	name
	23.01.	Parei
appd.	23.01.	Kühle
norm	DIN 41652	
d-old		

scale: 2:1

material: SEE SHEET 1

title: P.C.B. HOLE DRILLINGS  
DUAL PORT 15.88mm FEMALE / FEMALE  
with threaded insert and 2 x PCB clip

dwg no: AutoCAD 2000 DIN-A  
16K1A861 3 sh:2/3

part no: SEE SHEET 1