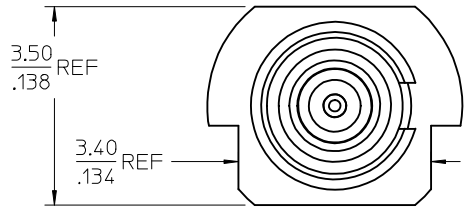
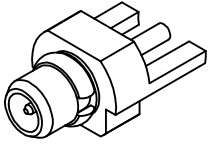


MATERIALS AND FINISHES

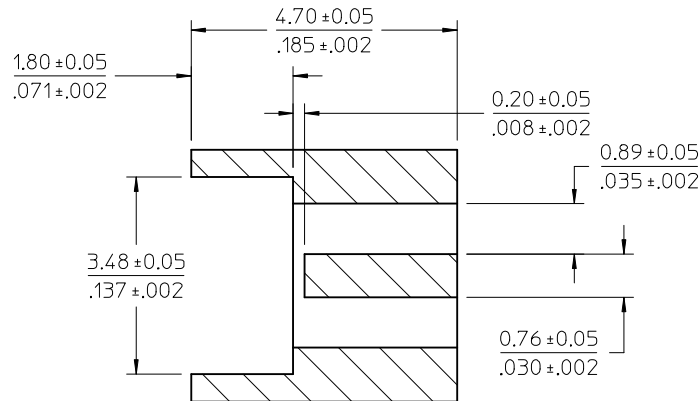
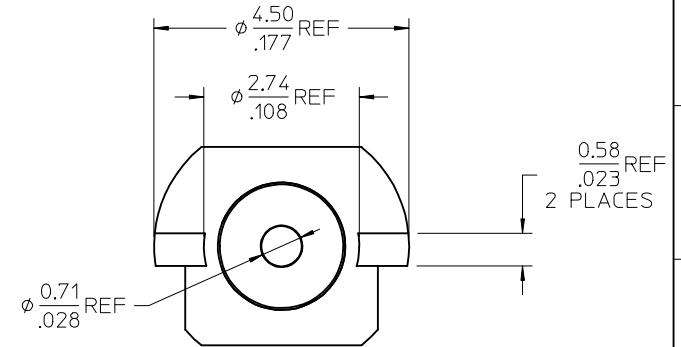
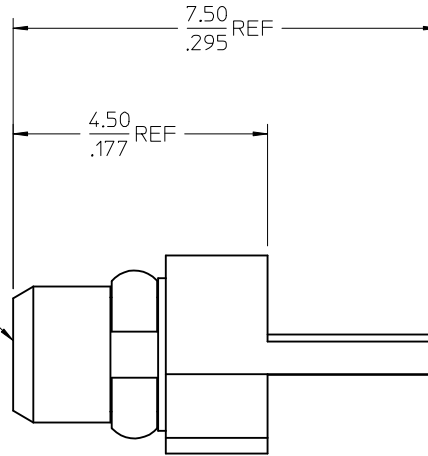
BODY BRASS
PLATED GOLD

CENTER CONTACT BRASS
PLATED GOLD

INSULATOR TEFLON



MMCX PLUG
INTERFACE



BOARD MATERIAL: FR4, 1.4mm(.055) THICK
PCB LAYOUT WITH GROUND PLANE

73415-0993	P/N 73415-0991, ONE PER BAG
73415-0992	PER COMMERICAL REQUIREMENTS, TAPE AND REEL
73415-0991	PER COMMERICAL REQUIREMENTS, BAG-500 PCS
73415-0990	PER MILITARY REQUIREMENTS, BAG-500 PCS
PART NO.	PLATING AND PACKAGING

CECC 22 340	INTERFACE
PS-89675-1920	ELECTRO/MECH PERFORM.
SPECIFICATION	DESCRIPTION

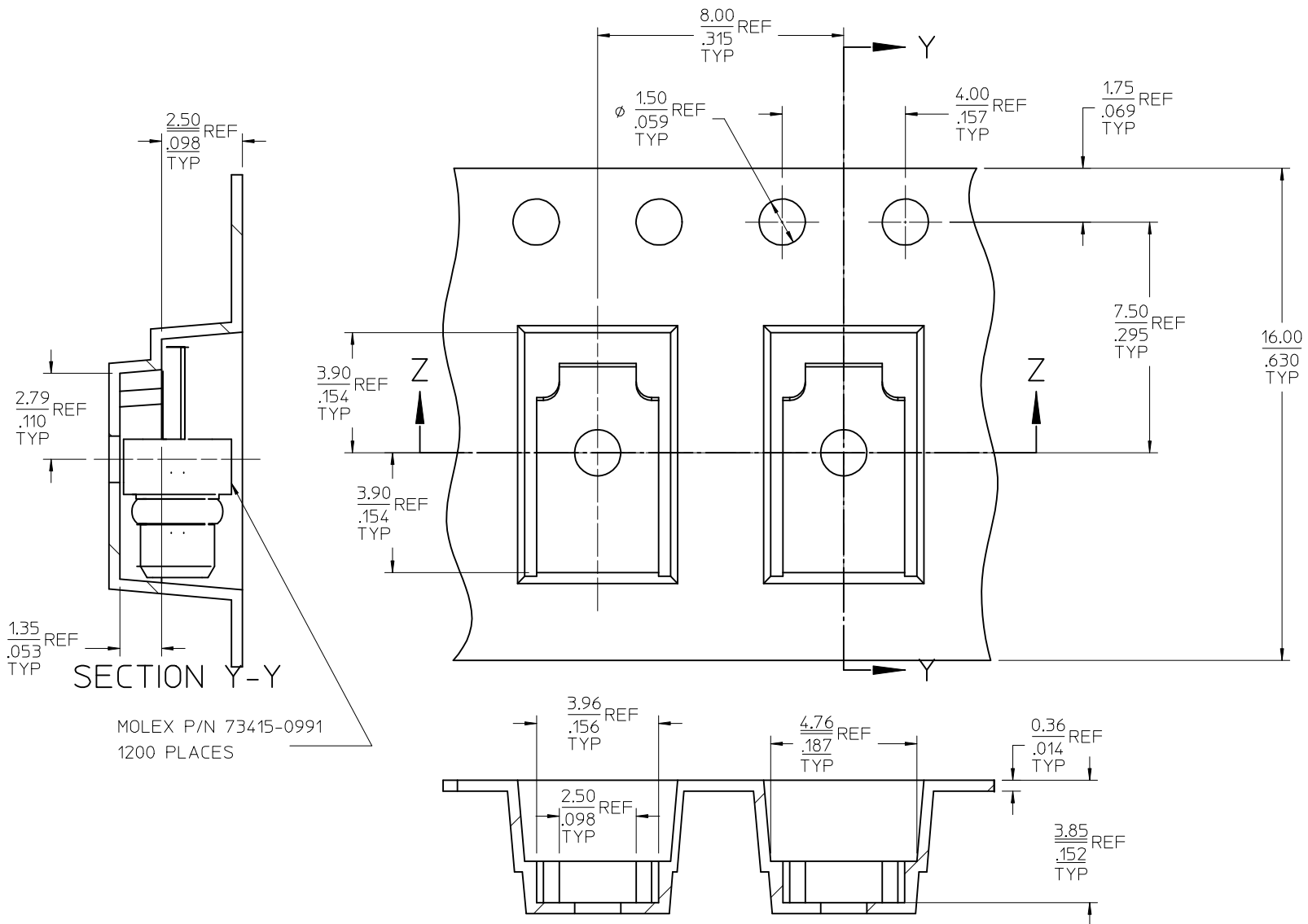
CHG:73415-0990-0991
PACKING UPDATE
BAG-500 PCS WAS
BULK RF16-E097
EWR RF16-E097
EC NO: URF2016-0872
DRWN:YCHENG 2016/06/24
CHKD:
APPR:YCHENG 2016/06/28
REV

QUALITY SYMBOLS	DESCRIPTION
$\nabla=0$	
$\nabla=0$	
$\nabla=0$	

GENERAL TOLERANCES (UNLESS SPECIFIED)	
mm	INCH
4 PLACES ±	±
3 PLACES ±	±
2 PLACES ±	±
1 PLACE ±	±
0 PLACE ±	±
ANGULAR ± 2 °	
DRAFT WHERE APPLICABLE MUST REMAIN WITHIN DIMENSIONS	

DIMENSION STYLE	
MM/IN	
DRAWN BY	DATE
EDC	1999/03/18
CHECKED BY	DATE
TEF	1999/11/24
APPROVED BY	DATE
GMH	1999/11/24
MATERIAL NO.	
SEE TABLE	
SIZE	
C	

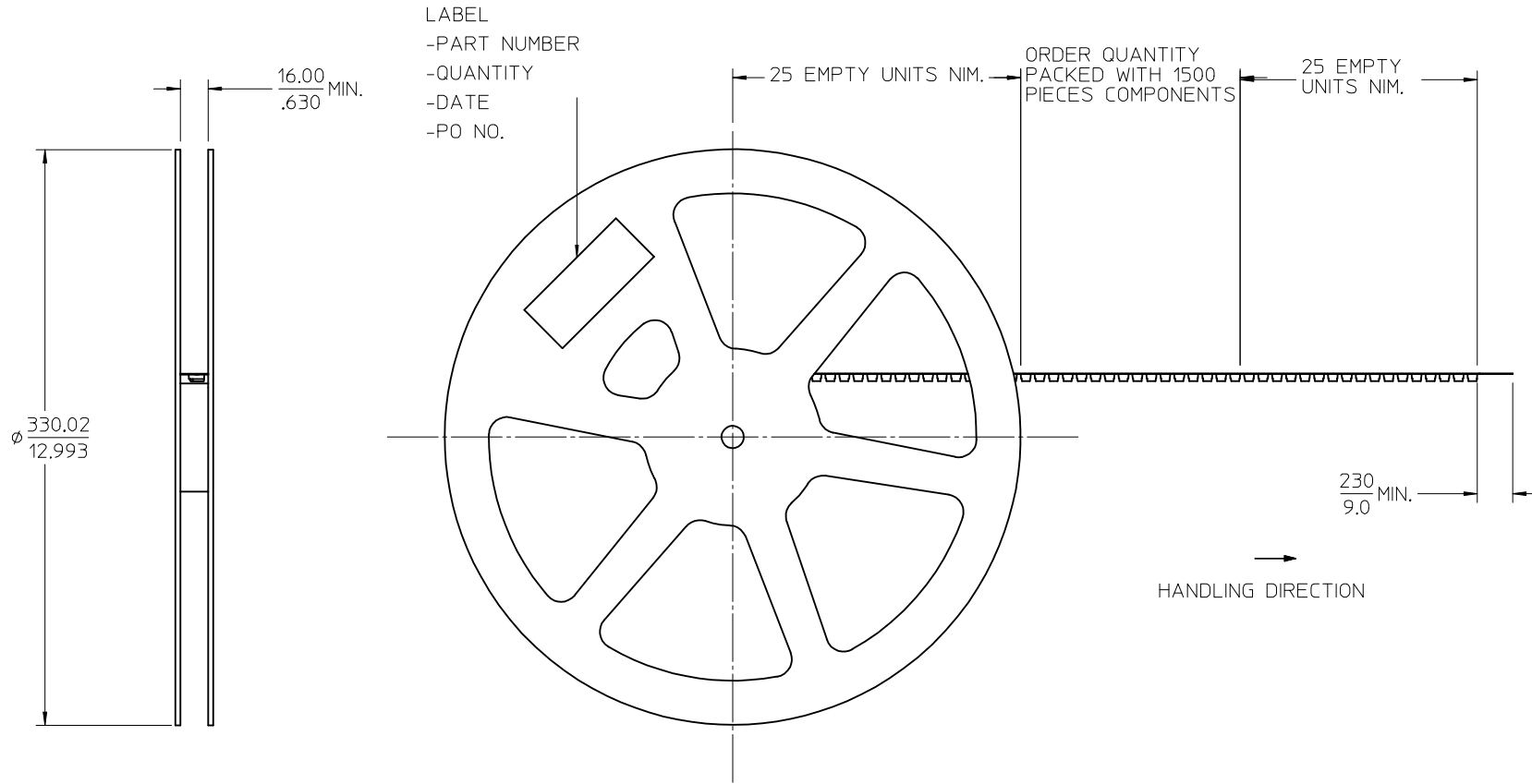
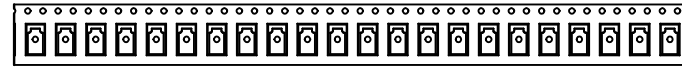
SCALE	DESIGN UNITS	THIRD ANGLE PROJECTION
	METRIC	
TITLE		
MMCX PLUG, EDGE MOUNT LAUNCHER, 50 OHMS MMCX-P/PCB		
molex		
DOCUMENT NO.		SHEET NO.
SD-73415-099		1 OF 4
THIS DRAWING CONTAINS INFORMATION THAT IS PROPRIETARY TO MOLEX INCORPORATED AND SHOULD NOT BE USED WITHOUT WRITTEN PERMISSION		



NOTE:
1. DIMENSIONS ARE PROVIDED FOR REFERENCE ONLY.

SEE SHEET 1 EC NO: URF2016-0872 DRWN: YCHENG 2016/06/24 CHKD: APPR: YCHENG 2016/06/28 REV: E4	QUALITY SYMBOLS ▽=0 ▽=0 ▽=0	GENERAL TOLERANCES (UNLESS SPECIFIED) <table border="1"> <tr> <th></th> <th>mm</th> <th>INCH</th> </tr> <tr> <td>4 PLACES</td> <td>± .005</td> <td>± .0004</td> </tr> <tr> <td>3 PLACES</td> <td>± .005</td> <td>± .0004</td> </tr> <tr> <td>2 PLACES</td> <td>± .005</td> <td>± .0004</td> </tr> <tr> <td>1 PLACE</td> <td>± .005</td> <td>± .0004</td> </tr> <tr> <td>0 PLACE</td> <td>± .005</td> <td>± .0004</td> </tr> </table>		mm	INCH	4 PLACES	± .005	± .0004	3 PLACES	± .005	± .0004	2 PLACES	± .005	± .0004	1 PLACE	± .005	± .0004	0 PLACE	± .005	± .0004	DIMENSION STYLE MM/IN DRAWN BY DATE EDC 1999/03/18 CHECKED BY DATE TEF 1999/11/24 APPROVED BY DATE GMH 1999/11/24	SCALE DESIGN UNITS METRIC	THIRD ANGLE PROJECTION
		mm	INCH																				
	4 PLACES	± .005	± .0004																				
	3 PLACES	± .005	± .0004																				
2 PLACES	± .005	± .0004																					
1 PLACE	± .005	± .0004																					
0 PLACE	± .005	± .0004																					
ANGULAR ± 2 °		DRAFT WHERE APPLICABLE MUST REMAIN WITHIN DIMENSIONS	MATERIAL NO. SEE SHEET 1	DOCUMENT NO. SD-73415-099	SHEET NO. 2 OF 4																		
THIS DRAWING CONTAINS INFORMATION THAT IS PROPRIETARY TO MOLEX INCORPORATED AND SHOULD NOT BE USED WITHOUT WRITTEN PERMISSION																							

NOTE:
13" REEL SIZE FOR 1500 PIECES



LABEL
-PART NUMBER
-QUANTITY
-DATE
-PO NO.

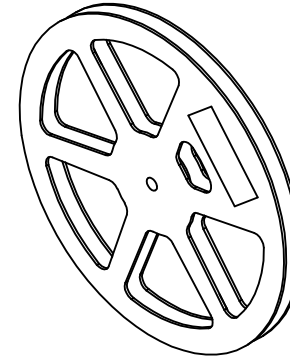
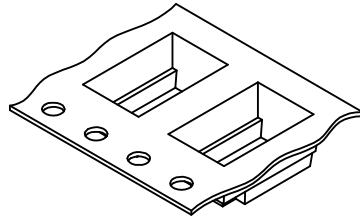
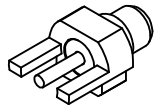
ORDER QUANTITY
PACKED WITH 1500
PIECES COMPONENTS

25 EMPTY
UNITS NIM.

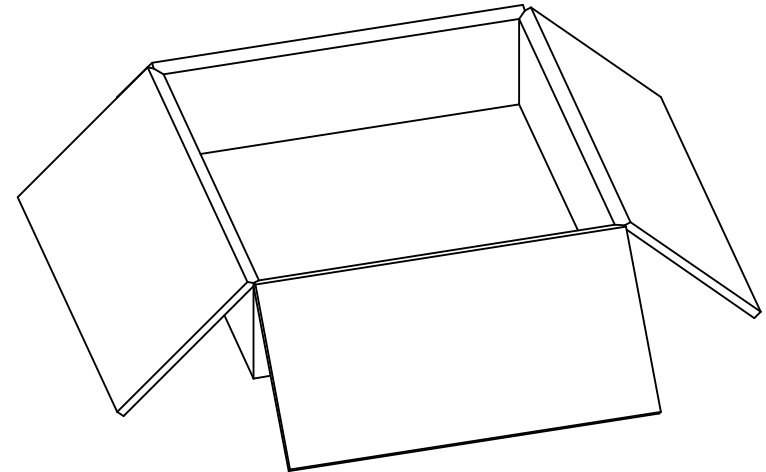
230
9.0
MIN.

→
HANDLING DIRECTION

SEE SHEET 1 EC NO: URF2016-0872 DRAWN: YCHENG 2016/06/24 CHKD: APPR: YCHENG 2016/06/28 REV: E4	QUALITY SYMBOLS = 0 = 0 = 0	GENERAL TOLERANCES (UNLESS SPECIFIED) <table border="1"> <tr> <td></td> <td>mm</td> <td>INCH</td> </tr> <tr> <td>4 PLACES</td> <td>± .005</td> <td>± .0005</td> </tr> <tr> <td>3 PLACES</td> <td>± .005</td> <td>± .0005</td> </tr> <tr> <td>2 PLACES</td> <td>± .005</td> <td>± .0005</td> </tr> <tr> <td>1 PLACE</td> <td>± .005</td> <td>± .0005</td> </tr> <tr> <td>0 PLACE</td> <td>± .005</td> <td>± .0005</td> </tr> </table>		mm	INCH	4 PLACES	± .005	± .0005	3 PLACES	± .005	± .0005	2 PLACES	± .005	± .0005	1 PLACE	± .005	± .0005	0 PLACE	± .005	± .0005	DIMENSION STYLE MM/IN DRAWN BY DATE EDC 1999/03/18 CHECKED BY DATE TEF 1999/11/24 APPROVED BY DATE GMH 1999/11/24	SCALE DESIGN UNITS METRIC	THIRD ANGLE PROJECTION
		mm	INCH																				
	4 PLACES	± .005	± .0005																				
	3 PLACES	± .005	± .0005																				
2 PLACES	± .005	± .0005																					
1 PLACE	± .005	± .0005																					
0 PLACE	± .005	± .0005																					
ANGULAR ± 2 °		MATERIAL NO.	TITLE MMCX PLUG, EDGE MOUNT LAUNCHER, 50 OHMS MMCX-P/PCB																				
DRAFT WHERE APPLICABLE MUST REMAIN WITHIN DIMENSIONS		SEE SHEET 1	DOCUMENT NO. SD-73415-099	SHEET NO. 3 OF 4																			
THIS DRAWING CONTAINS INFORMATION THAT IS PROPRIETARY TO MOLEX INCORPORATED AND SHOULD NOT BE USED WITHOUT WRITTEN PERMISSION																							



1500 SET PER 13" REEL



6000 SET PER OUTER
CARTON BOX
339 X 339 X 100 REF.

PART NO.
73415-0992

SEE SHEET 1 EC NO: URF2016-0872 DRAWN: YCHENG 2016/06/24 CHKD: APPR: YCHENG 2016/06/28	QUALITY SYMBOLS	GENERAL TOLERANCES (UNLESS SPECIFIED)	DIMENSION STYLE	SCALE	DESIGN UNITS	THIRD ANGLE PROJECTION
	▽=0	mm INCH	MM/IN		METRIC	
	▽=0	4 PLACES ± --- ± ---	DRAWN BY DATE	TITLE		
	▽=0	3 PLACES ± --- ± ---	CHECKED BY DATE			
REV	DESCRIPTION	ANGULAR ± 2 °	APPROVED BY DATE			
F4		DRAFT WHERE APPLICABLE MUST REMAIN WITHIN DIMENSIONS	GMH 1999/11/24			
			MATERIAL NO.	DOCUMENT NO.		SHEET NO.
			SEE SHEET 1	SD-73415-099		4 OF 4
			THIS DRAWING CONTAINS INFORMATION THAT IS PROPRIETARY TO MOLEX INCORPORATED AND SHOULD NOT BE USED WITHOUT WRITTEN PERMISSION			