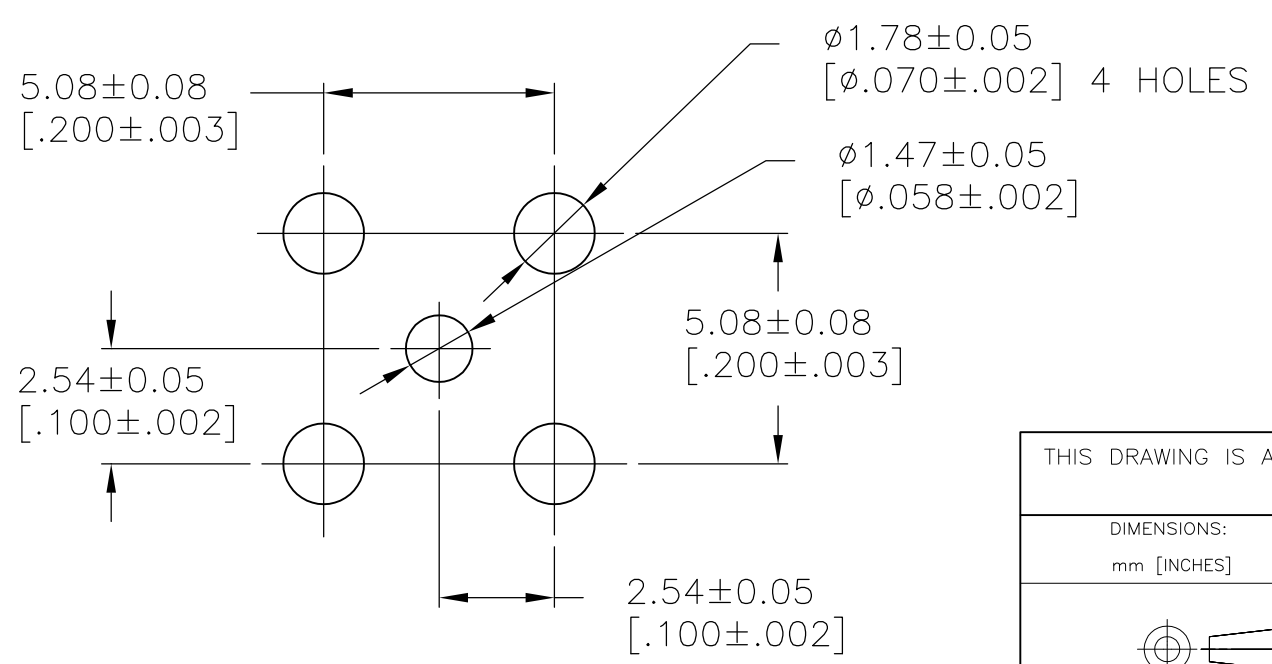
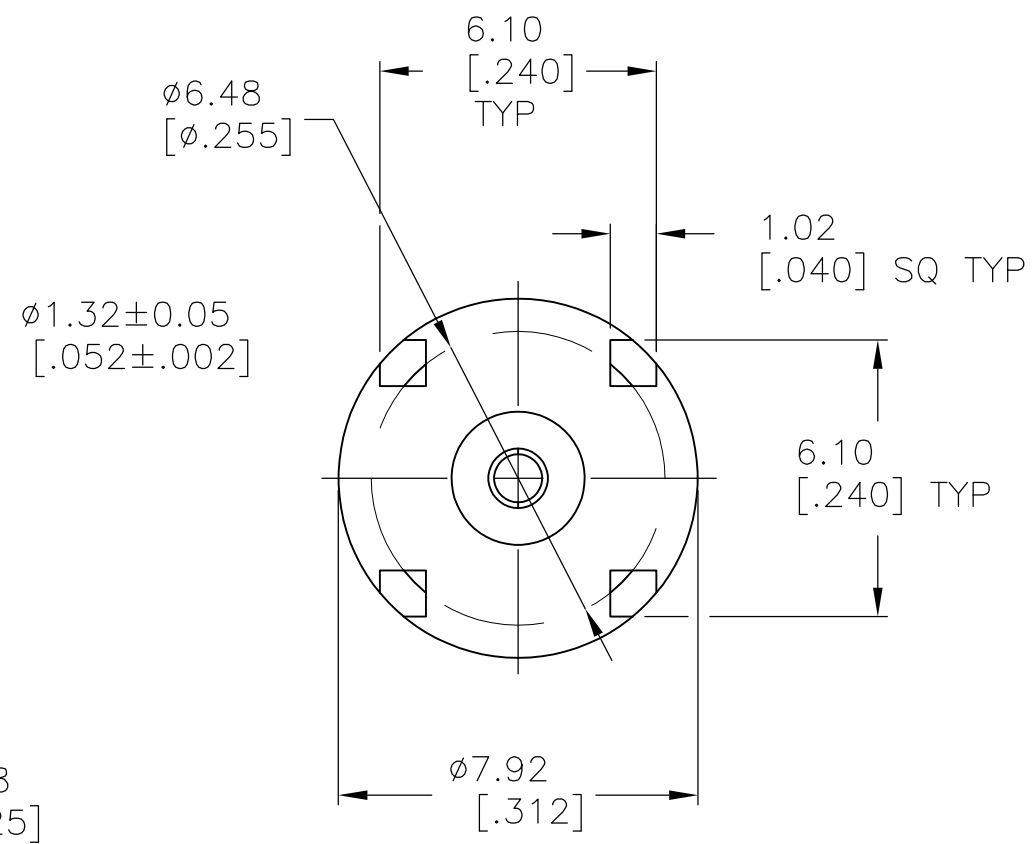
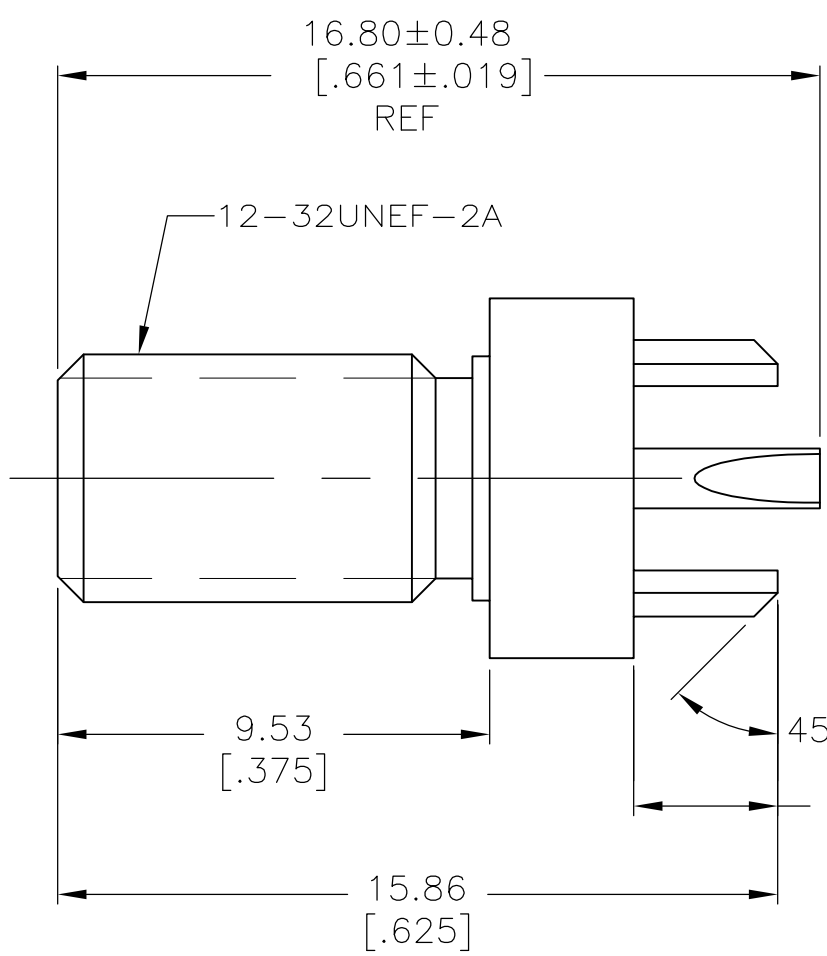


THIS DRAWING IS UNPUBLISHED. RELEASED FOR PUBLICATION
 © COPYRIGHT - BY TYCO ELECTRONICS CORPORATION. ALL RIGHTS RESERVED.

LOC	DIST	REVISIONS					
AJ	16	P	LTR	DESCRIPTION	DATE	DWN	APVD
			A	REVISED PER ECO-08-000706	16JAN08	HMR	FD



SUGGESTED PANEL CUTOUT

- 1 MATERIALS
 SHELL: STAINLESS STEEL PER ASTM-A-582
 CONTACT: BERYLLIUM COPPER PER QQ-C-530
 DIELECTRIC: PTFE PER MIL-P-19468A
- 2 FINISH:
 SHELL: GOLD PLATE PER MIL-G-45204
 CONTACT: GOLD PLATE PER MIL-G-45204

414086-1
 PART NUMBER

THIS DRAWING IS A CONTROLLED DOCUMENT.		DWN J.L.GROFT 9-16-96	Tyco Electronics Corporation Harrisburg, PA 17105-3608	
DIMENSIONS: mm [INCHES]		CHK S.BURKHOLDER 9-16-96	NAME ADAPTER, PCB RECEPTACLE, MINIATURE	
TOLERANCES UNLESS OTHERWISE SPECIFIED:		APVD S.BURKHOLDER 9-16-96	PRODUCT SPEC -	
0 PLC ± - 1 PLC ± - 2 PLC ± 0.13 [.005] 3 PLC ± - 4 PLC ± - ANGLES ± 5°		APPLICATION SPEC -		
MATERIAL -	FINISH -	WEIGHT -	SIZE A3	CAGE CODE 00779
		DRAWING NO C-414086		RESTRICTED TO -
CUSTOMER DRAWING		SCALE 6:1	SHEET 1 OF 1	REV A