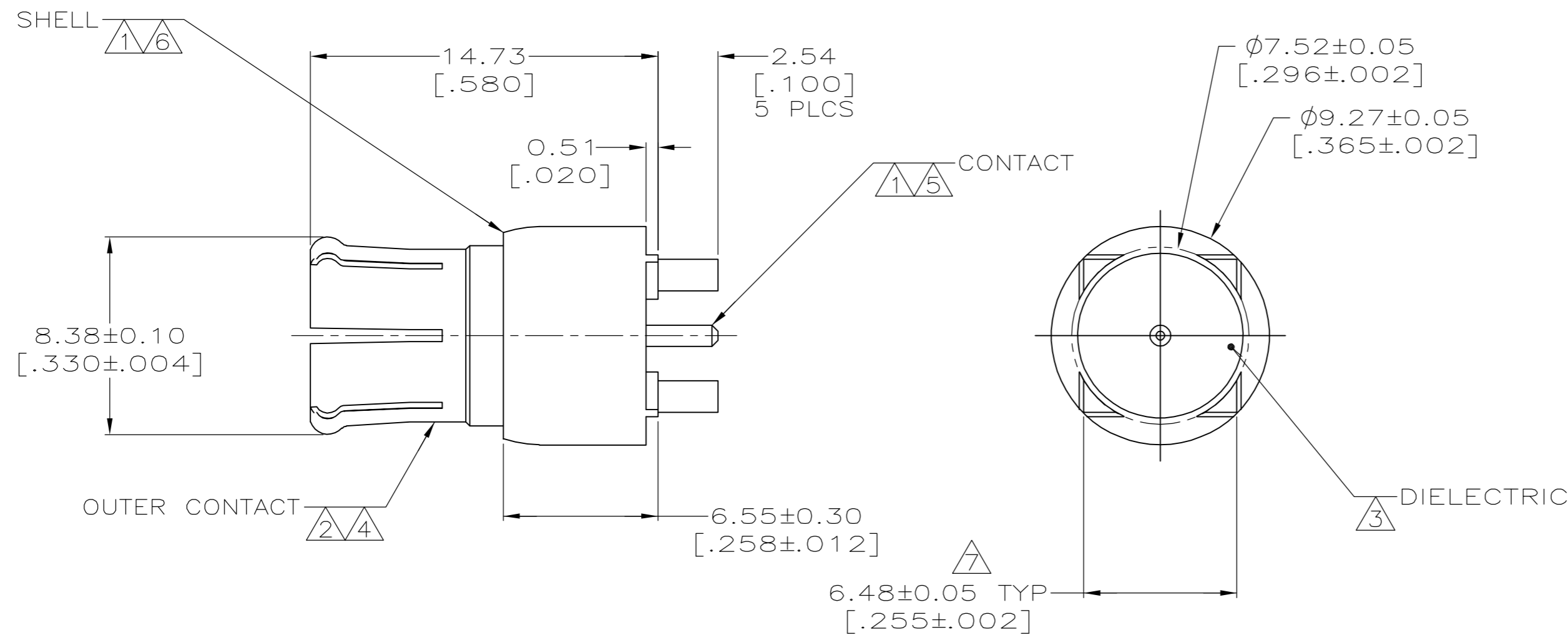
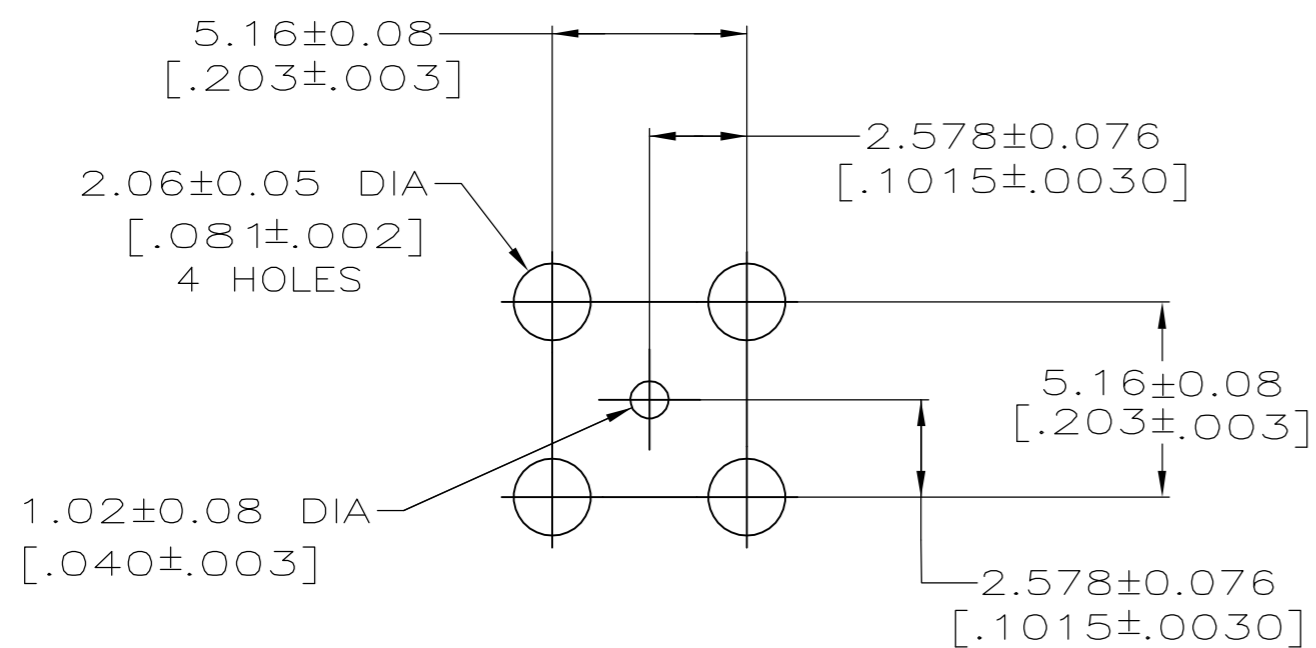


THIS DRAWING IS UNPUBLISHED. RELEASED FOR PUBLICATION
 © COPYRIGHT BY TYCO ELECTRONICS CORPORATION. ALL RIGHTS RESERVED.

LOC	DIST	REVISIONS					
		P	LTR	DESCRIPTION	DATE	DWN	APVD
AJ	16	0		REV PER EC-0S14-0496-04	02FEB2005	LV	JL



- 1 BRASS PER ASTM-B-453
- 2 BERYLLIUM COPPER PER ASTM-B-196
- 3 PTFE PER MIL-P-19468
- 4 NICKEL PLATE PER QQ-N-290
5.08 μm [.000200] MINIMUM THICK.
- 5 GOLD PLATE PER MIL-G-45204
0.76 μm [.000030] MINIMUM THICK.
- 6 TIN PLATE PER ASTM-B-545,
3.04 μm [.000120] MINIMUM THICK.
- 7 DIMENSION TO OUTSIDE OF LEGS



RECOMMENDED PCB CONFIGURATION

6274360-1
PART NUMBER

THIS DRAWING IS A CONTROLLED DOCUMENT.		DWN L. VARELA - DOCK5 CHK J. HAVENER APVD J. LIPPERT	02FEB2005 02FEB2005 02FEB2005	Tyco Electronics Corporation Harrisburg, PA 17105-3608	
DIMENSIONS: INCHES	TOLERANCES UNLESS OTHERWISE SPECIFIED:	PRODUCT SPEC	NAME	PUSH ON PLUG, PCB, 75 OHM, VERT, BNC	
	0 PLC ± - 1 PLC ± - 2 PLC ± 0.20 [.008] 3 PLC ± - 4 PLC ± - ANGLES ± -	108-12078	SIZE	CAGE CODE	DRAWING NO
MATERIAL SEE NOTES 1 - 3	FINISH SEE NOTES 4 - 6	WEIGHT -	A2	00779	C=6274360
CUSTOMER DRAWING			SCALE	SHEET	REV
			5:1	1 OF 1	0

6274360