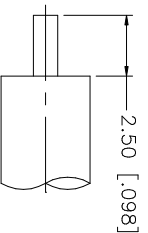
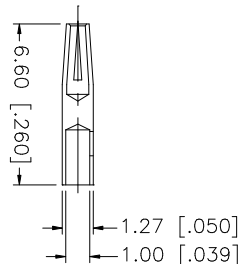
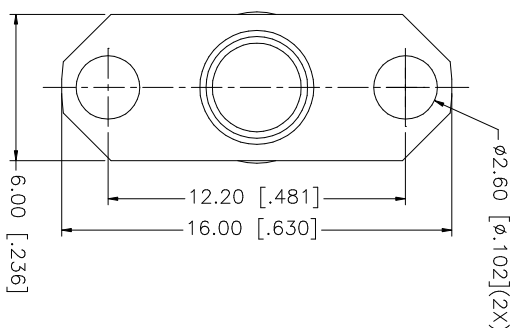
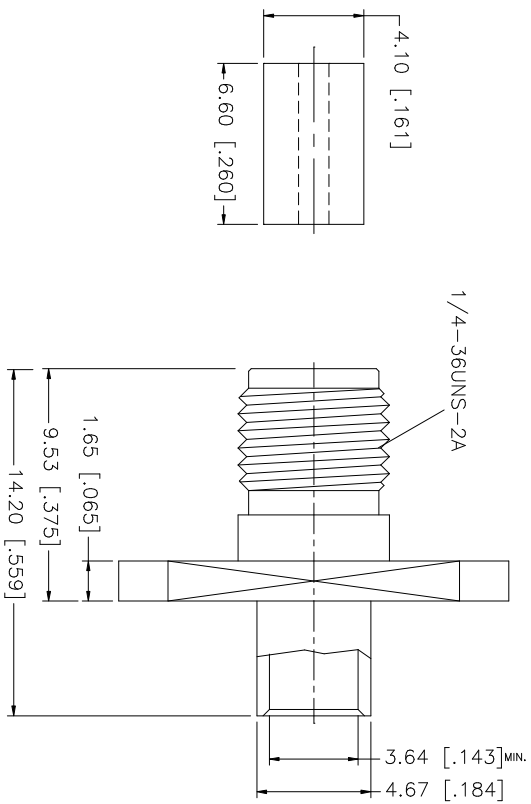


REV.	DATE	DESCRIPTION
NC	02/24/03	INITIAL RELEASE



RECOMMENDED CABLE STRIPPING DIMS.



NOTE: CONTACT PIN TO SOLDER

8					UNLESS OTHERWISE SPECIFIED DIMENSIONS ARE IN MILLIMETERS, DIMENSIONS IN [] ARE IN INCHES AND FOR CUSTOMER REFERENCE ONLY.	APPROVALS	DATE		
7					UNLESS OTHERWISE SPECIFIED TOLERANCES FOR MILLIMETERS ARE:	DRAWN	02/24/03		
6					0.5 - 8mm \pm 0.20mm	CHECKED			
5					8 - 30mm \pm 0.40mm	ISSUED			
4					30 - 120mm \pm 0.50mm	SHEET	1 OF 1		
3	CONTACT PIN	BER. COPPER	GOLD	1	UNLESS OTHERWISE SPECIFIED TOLERANCES FOR INCHES ARE:	CAD FILE			
2	INSULATOR	TEFLON	NATURAL	1	020 - .315 = \pm 0.007"	C:/132/132110.DWG			
1	BODY	BRASS	GOLD	1	.315 - 1.180 = \pm 0.015"	DWG. NO.	132110.DWG		
	DESCRIPTION	MATERIAL	FINISH	QTY	1.180 - 4.724 = \pm 0.020"	REV.	NC	SIZE	A
					DO NOT SCALE DRAWING	SCALE			NA

Amphenol Connex

SMA DIRECT SOLDER PANEL JACK
(FOR .141" SEMI-RIGID CABLE)

132110