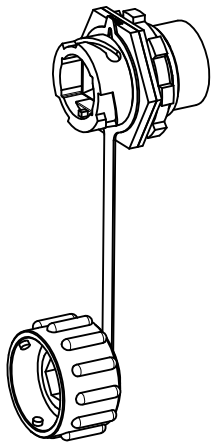
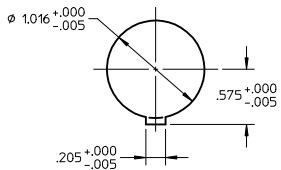


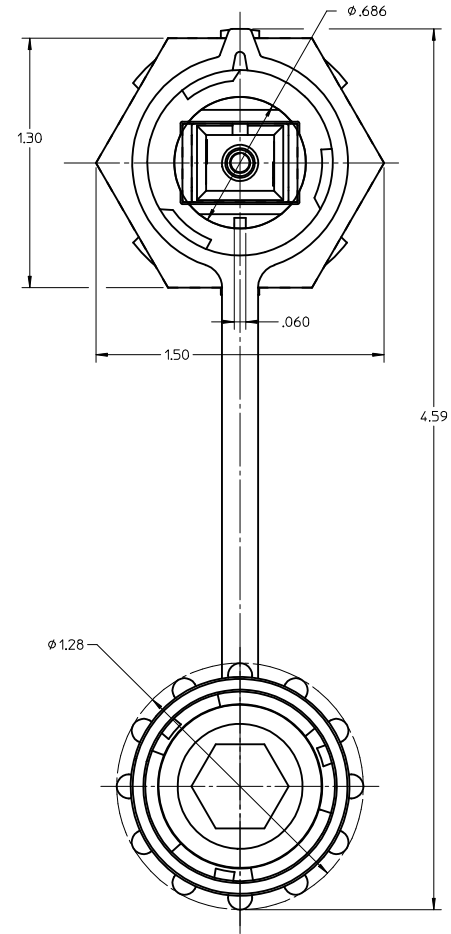
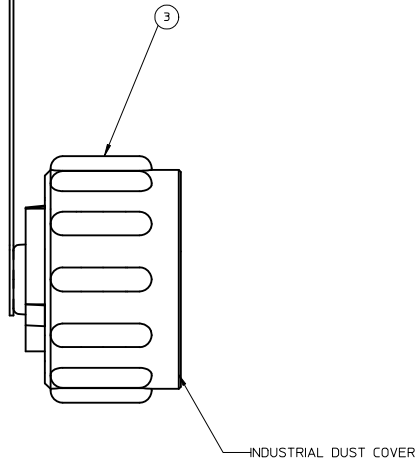
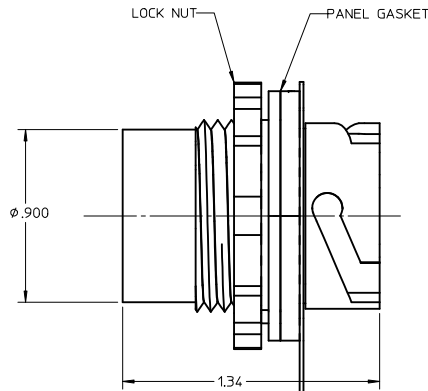
| ADAPTER P/N | ADAPTER TYPE |
|-------------|--------------|
| 1060592030  | SINGLE MODE  |
| 1060592031  | MULTIMODE    |
| 1060592032  | APC          |



ISOMETRIC VIEWS  
SCALE 1:1



RECOMMENDED MOUNTING CUTOUT  
SCALE: 1:1



- NOTES:  
1. ALL DIMENSIONS ARE FOR REFERENCE ONLY.  
2. SC ADAPTER DUST CAPS ARE NOT SHOWN.

| <b>ENTER DESCRIPTION</b><br>EC NO: MF2010-0503<br>DRWN: L.SADUSKIENE<br>CHKD:<br>APPR: BANDREJ<br>2010/05/13<br>DESCRIPTION<br>REV: A2 | <b>QUALITY SYMBOLS</b><br>=0<br>=0 | <b>GENERAL TOLERANCES (UNLESS SPECIFIED)</b><br><table border="1"> <thead> <tr> <th></th> <th>mm</th> <th>INCH</th> </tr> </thead> <tbody> <tr> <td>4 PLACES</td> <td>± .005</td> <td>± .0005</td> </tr> <tr> <td>3 PLACES</td> <td>± .004</td> <td>± .0004</td> </tr> <tr> <td>2 PLACES</td> <td>± .003</td> <td>± .0003</td> </tr> <tr> <td>1 PLACE</td> <td>± .002</td> <td>± .0002</td> </tr> </tbody> </table> |                            | mm | INCH | 4 PLACES | ± .005 | ± .0005 | 3 PLACES | ± .004 | ± .0004 | 2 PLACES | ± .003 | ± .0003 | 1 PLACE | ± .002 | ± .0002 | <b>DIMENSION STYLE</b><br>INCH ONLY<br>DRAWN BY: D.B.<br>DATE: 9/07/2006<br>CHECKED BY: DATE: | <b>SCALE</b><br>2:1<br><b>DESIGN UNITS</b><br>INCH<br>THIRD ANGLE PROJECTION | <b>TITLE</b><br>SC INDUSTRIAL ADAPTER |
|----------------------------------------------------------------------------------------------------------------------------------------|------------------------------------|---------------------------------------------------------------------------------------------------------------------------------------------------------------------------------------------------------------------------------------------------------------------------------------------------------------------------------------------------------------------------------------------------------------------|----------------------------|----|------|----------|--------|---------|----------|--------|---------|----------|--------|---------|---------|--------|---------|-----------------------------------------------------------------------------------------------|------------------------------------------------------------------------------|---------------------------------------|
|                                                                                                                                        |                                    | mm                                                                                                                                                                                                                                                                                                                                                                                                                  | INCH                       |    |      |          |        |         |          |        |         |          |        |         |         |        |         |                                                                                               |                                                                              |                                       |
|                                                                                                                                        | 4 PLACES                           | ± .005                                                                                                                                                                                                                                                                                                                                                                                                              | ± .0005                    |    |      |          |        |         |          |        |         |          |        |         |         |        |         |                                                                                               |                                                                              |                                       |
|                                                                                                                                        | 3 PLACES                           | ± .004                                                                                                                                                                                                                                                                                                                                                                                                              | ± .0004                    |    |      |          |        |         |          |        |         |          |        |         |         |        |         |                                                                                               |                                                                              |                                       |
| 2 PLACES                                                                                                                               | ± .003                             | ± .0003                                                                                                                                                                                                                                                                                                                                                                                                             |                            |    |      |          |        |         |          |        |         |          |        |         |         |        |         |                                                                                               |                                                                              |                                       |
| 1 PLACE                                                                                                                                | ± .002                             | ± .0002                                                                                                                                                                                                                                                                                                                                                                                                             |                            |    |      |          |        |         |          |        |         |          |        |         |         |        |         |                                                                                               |                                                                              |                                       |
| APPROVED BY: I.G.<br>DATE: 9/07/2006                                                                                                   | <b>MATERIAL NO.</b><br>SEE TABLE   | <b>DOCUMENT NO.</b><br>SD-106059-203X                                                                                                                                                                                                                                                                                                                                                                               | <b>SHEET NO.</b><br>1 OF 1 |    |      |          |        |         |          |        |         |          |        |         |         |        |         |                                                                                               |                                                                              |                                       |
| <b>DRAFT WHERE APPLICABLE MUST REMAIN WITHIN DIMENSIONS</b>                                                                            | <b>SIZE</b><br>C                   | THIS DRAWING CONTAINS INFORMATION THAT IS PROPRIETARY TO MOLEX INCORPORATED AND SHOULD NOT BE USED WITHOUT WRITTEN PERMISSION                                                                                                                                                                                                                                                                                       |                            |    |      |          |        |         |          |        |         |          |        |         |         |        |         |                                                                                               |                                                                              |                                       |