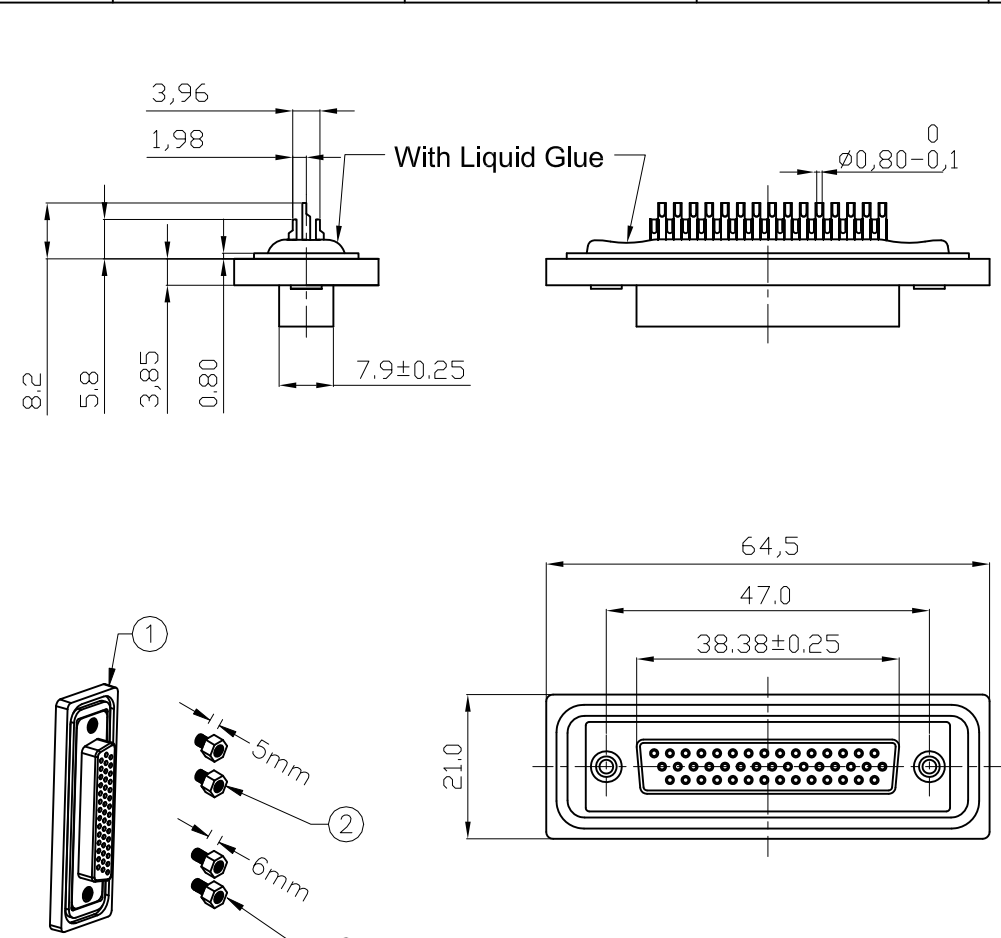
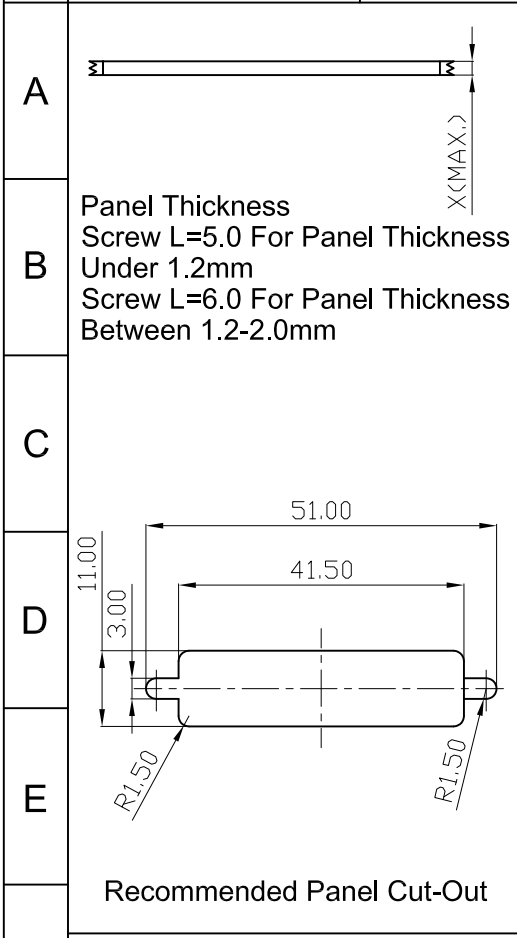


1 2 3 4 5 6 7



NOTES:
MATERIAL
 1. Insulator Material: Black, NYLON+G/F
 2. Contact Material : Copper Alloy
 3. Plating : Gold Plating
 4. Waterproof Rate: IP67
 5. Do Mating Test After Glued
 6. Applicable Wire Range: 24AWG-28AWG
 7. LOGO

RoHS compliant

| | | | | | | | | | |
|-----------|-------|-----|--------------|------------|------|------------------------------|------------|---------|--|
| Scale | 1:1 | | | | | | Date | Name | Customer-No. |
| TOLERANCE | | | | | | Drawn | 31.12.2008 | JACK | ASSMANN WSW-No. A-HDF 44 LL-WP |
| X.X | ±0.25 | | | | | Approved | 31.12.2008 | Hellwig | |
| X.XX | ±0.10 | | | | | | | | |
| X.XXX | ±0.05 | | | | | | | | |
| DIM | TOL | | | | | | | | Drawing-No. |
| ANGLE | ±1° | | | | | | | | ASS 3285 CO |
| X.X° | ±X° | ① | Drawn | 31.12.2008 | JACK | ASSMANN components | | | rev01 |
| Angle | TOL | Id. | Modification | Date | Name | | | Replace | Sheet |

1 2 3 4 5 6 7