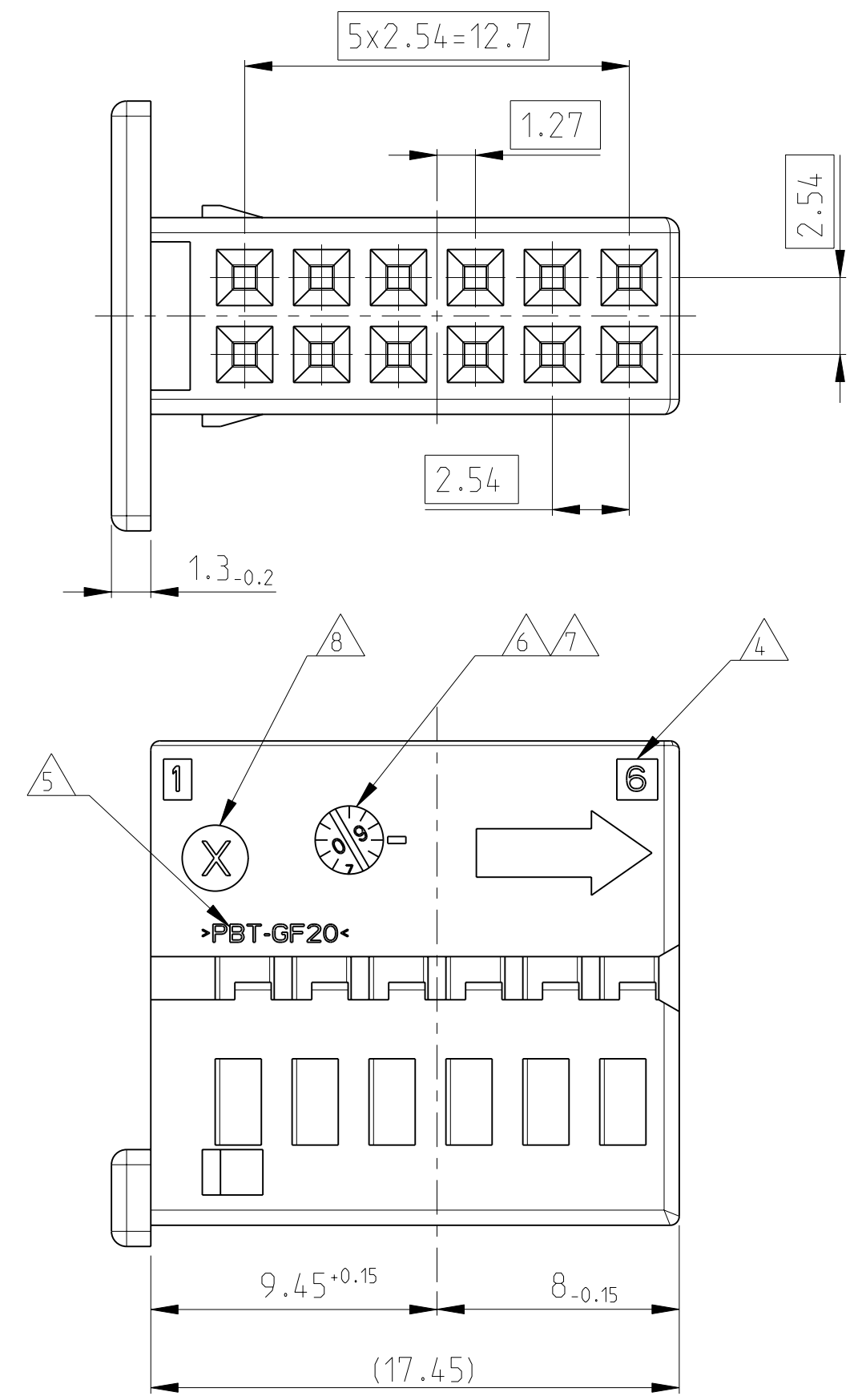
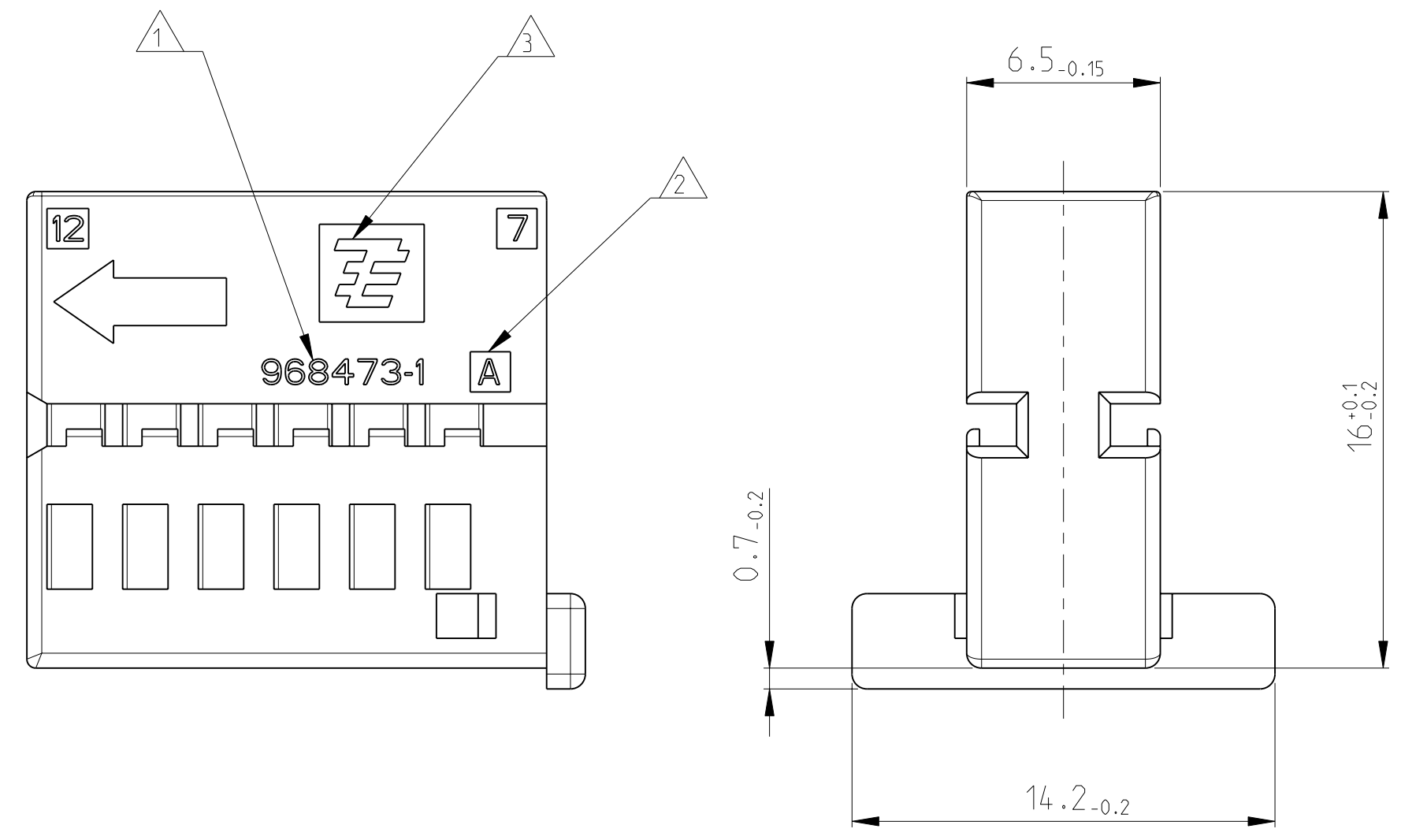


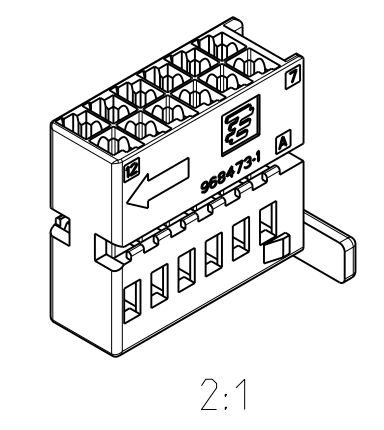
THIS DRAWING IS UNPUBLISHED. RELEASED FOR PUBLICATION 2009
 © COPYRIGHT 2009 BY TYCO ELECTRONICS CORPORATION. ALL RIGHTS RESERVED.

LOC	DIST	REVISIONS			
P	LTR	DESCRIPTION	DATE	DWN	APVD
A1	-	SEE E-09-013247	20MAY2009	FU	MR



- NOTES
BEMERKUNGEN
- NV NOTE NOT VALID
Bemerkung nicht verwendet
 - 1 ORDER NUMBER
BESTELL-NUMMER
 - 2 REVISION NUMBER
WERKZEUGÄNDERUNGSINDEX
 - 3 TE LOGO
 - 4 CONTACT CAVITY NUMBER
KONTAKTKAMMERNUMMER
 - 5 MATERIAL MARKING
WERKSTOFFKENNZEICHNUNG
 - 6 PRODUCTION DATE
PRODUKTIONSdatum
 - 7 PRE-SERIES PART WITH CONDITIONAL RELEASE
MARKED WITH CONDITIONING CLOCK
INSTEAD OF DATE CLOCK
VORSERIEANTEIL MIT BEDINGTER FREIGABE
MARKIERT MIT ÄNDERUNGSUHR
ANSTELLE DER DATUMSUHR
 - 8 TOOL CAVITY MARKING
NESTMARKIERUNG
 - 9 PACKAGING: BULK MATERIAL IN CARDBOARD BOX
VERPACKUNG: SCHUETTGUT IN KARTON
 - NV PACKAGING: LAYERS IN CARDBOARD BOX
VERPACKUNG: LAGENWEISE IN KARTON

12POS. CONNECTOR CONTAINS :
 12 pol. Steckverbinder besteht aus :
 967646-x 12POS. PINHEADER / 12pol. Stiftleiste
 929051-1 COVER WITH LEVER / Abdeckkappe mit Hebel
 968473-1 12POS. MQS HOUSING / 12pol. MQS-Gehaeuse



-	8	968473	A	12POS. SOCKET HOUSING	PBT-GF20	BLACK / schwarz	1.2	1
CUSTOMER PART NO	CAVITY NUMBER POLZAHL	TE ORDER NO TE BESTELLNUMMER	REV	DESCRIPTION NAME	MATERIAL	SURFACE COLOR	WEIGHT GEWICHT [g]	ITEM NO

TE ORDER NO STRIP FORM	TE ORDER NO LOOSE PIECE	WIRE RANGE MM ²	MATERIAL	FINISH
0-0963715-1	0-0963729-1	0.75	CuNiSi	PRETINNED
0-0928999-1	0-0963726-1	0.2-0.5	CuNiSi	PRETINNED

RECOMMENDED CONTACT SYSTEM: MQS; UNSEALED

THIS DRAWING IS A CONTROLLED DOCUMENT FOR TYCO ELECTRONICS CORPORATION IT IS SUBJECT TO CHANGE AND THE CONTROLLING ENGINEERING ORGANIZATION SHOULD BE CONTACTED FOR THE LATEST REVISION.

DWN: E. Ulrich 20MAY2009
 CHK: R. Reinhardt 03JUN2009
 APVD: -

Tyco Electronics Tyco Electronics AMP GmbH
 64625 Bensheim (Germany)

NAME: 12POS. SOCKET HOUSING FOR MQS
 12pol. Buchsengehaeuse fuer MQS

PRODUCT SPEC: 108-185466-0
 APPLICATION SPEC: 114-18173-0

WEIGHT: 1.2g

SIZE: A2 CAGE CODE: 00779 DRAWING NO: 968473 RESTRICTED TO: -

CUSTOMER DRAWING SCALE: 5:1 SHEET 1 OF 1 REV: A4