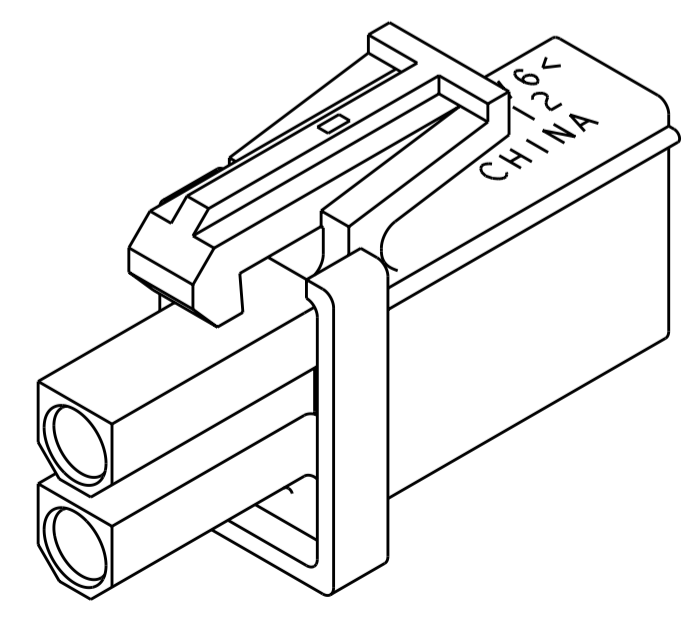
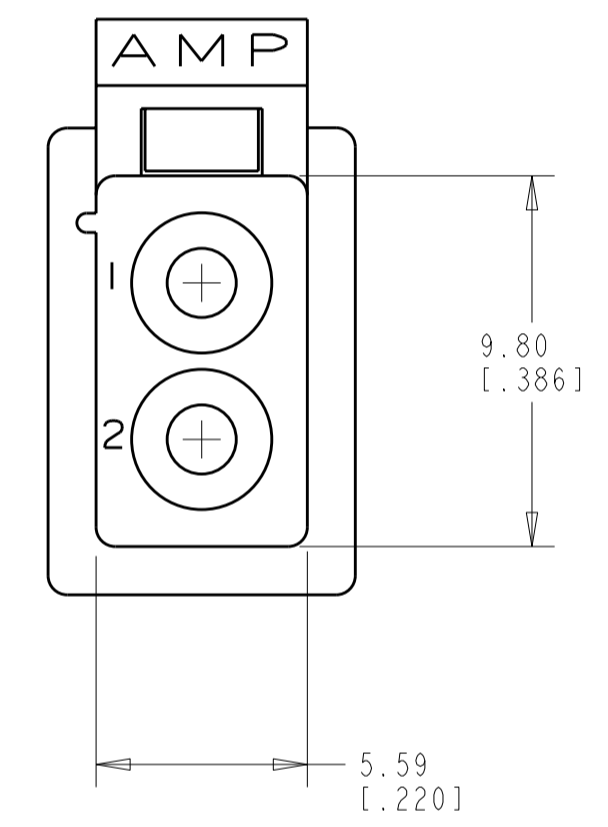
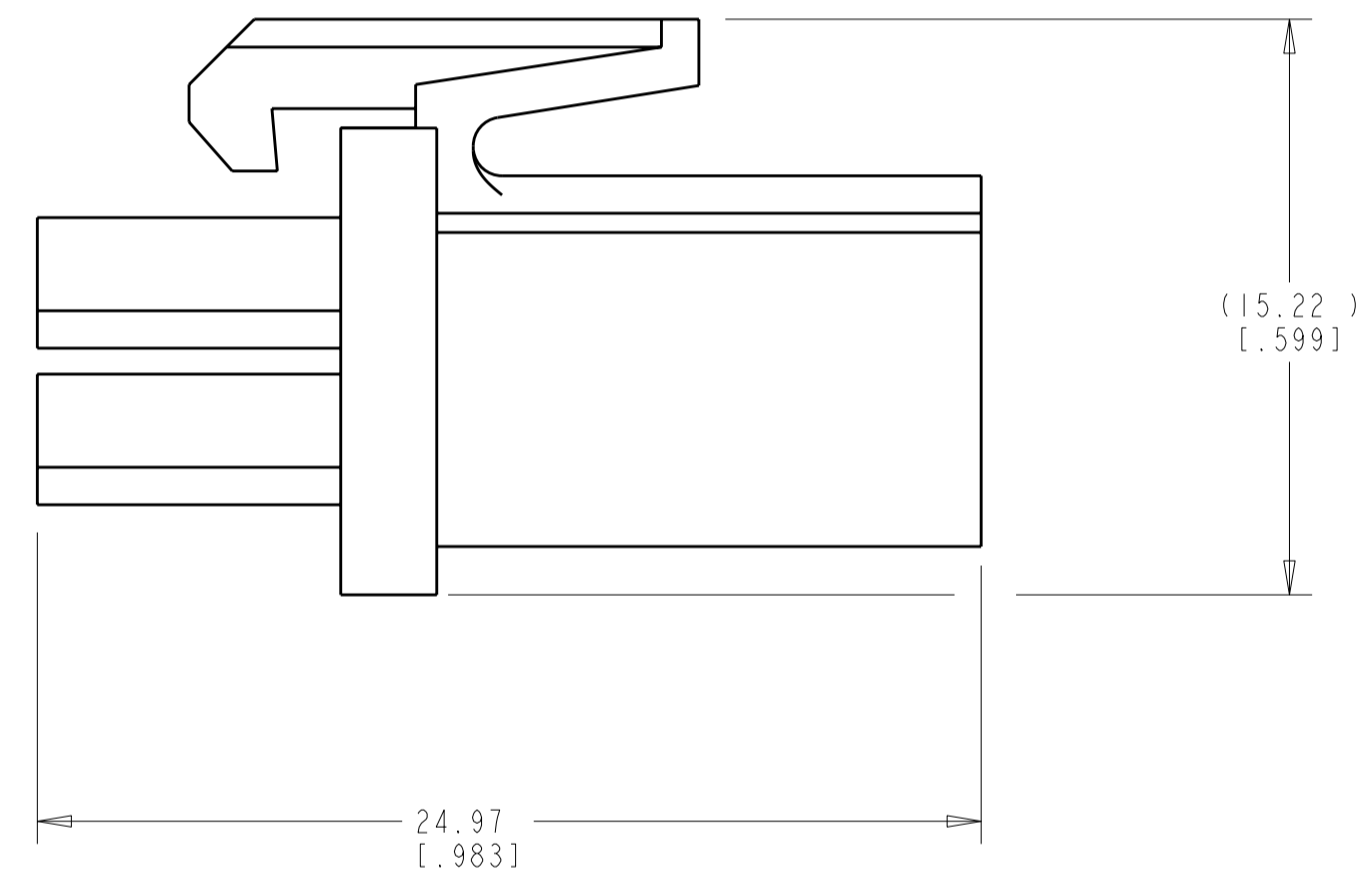
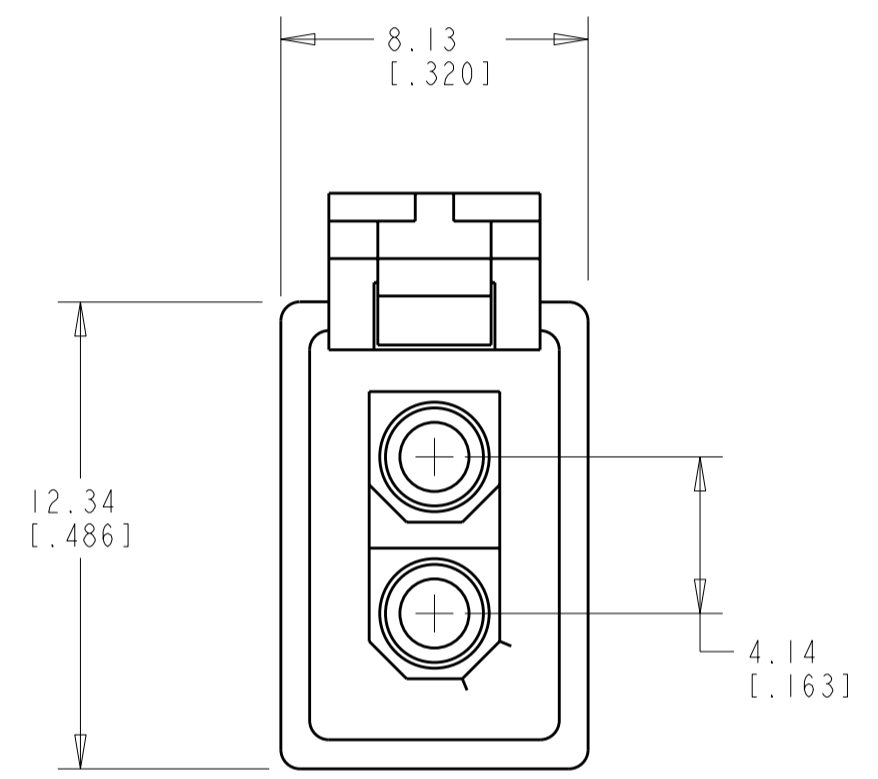


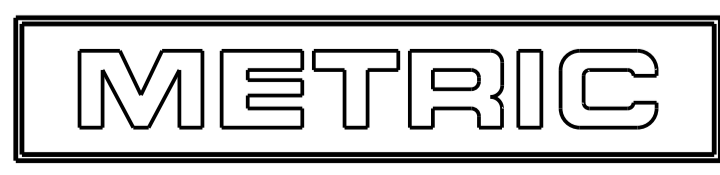
THIS DRAWING IS UNPUBLISHED. RELEASED FOR PUBLICATION 20  
 © COPYRIGHT 20 BY - ALL RIGHTS RESERVED.

LOC	DIST	REVISIONS					
CM	00	P	LTR	DESCRIPTION	DATE	DWN	APVD
		B1		REVISED PER ECO-11-005027	15MAR2011	RK	HMR
		B2		ECR-11-023708	22NOV2011	MGT	R.P

1. DIMENSIONS IN BRACKETS ARE IN INCHES.  
 ⚠ GWT 750° (WITH OUT FLAME) ACC. IEC 60335-1



3 DIMENSIONAL MODEL  
 SCALE 4:1



⚠	NATURAL	PA 6 UL94-V2	794894-3
⚠	RED	PA 6 UL94-V2	794894-2
	NATURAL	PA66/6 UL94 V-0	794894-1
REMARKS	COLOUR	MATERIAL	PART NUMBER

THIS DRAWING IS A CONTROLLED DOCUMENT.		DWN	26-JAN-2001	TE Connectivity
DIMENSIONS: mm [INCHES]		CHK	26-JAN-2001	
TOLERANCES UNLESS OTHERWISE SPECIFIED:		APVD	26-JAN-2001	
0 PLC ±- 1 PLC ±- 2 PLC ±0.13 [.005] 3 PLC ±- 4 PLC ±- ANGLES ±0° 30'		PRODUCT SPEC		
MATERIAL SEE TABLE		APPLICATION SPEC		NAME
		WEIGHT		PLUG, 2 CIRCUIT, SEALED APPLICATION, MINI UNIVERSAL MATE-N-LOK(TM)
		CUSTOMER DRAWING		SIZE
		SCALE	5:1	CAGE CODE
		SHEET	1	DRAWING NO
		OF	1	RESTRICTED TO
		REV	B2	