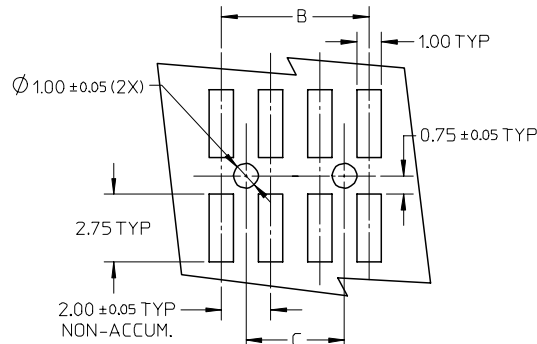
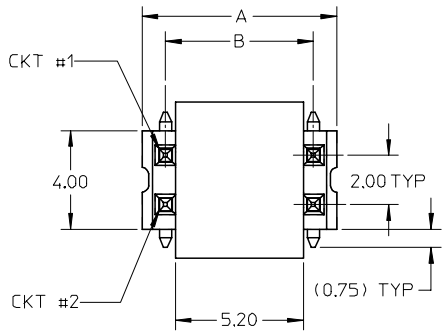
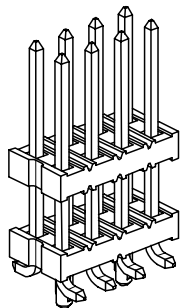
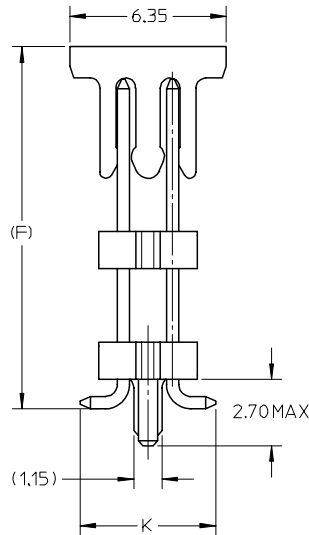
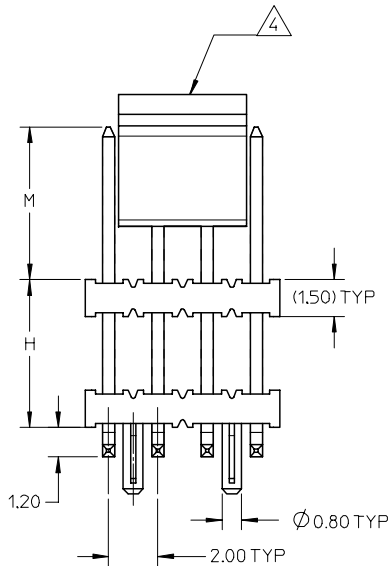


10 9 8 7 6 5 4 3 2 1



RECOMMENDED P.C.B. LAYOUT



| PART NUMBERS | CKT SIZE | VOID POSITION | DIMENSION | | | | | | PLATING OPTION | PACKAGING TYPE |
|--------------|----------|---------------|-----------|-------|------|-------|-------|------------|----------------|---------------------|
| | | | A | B | M | H | F | K | | |
| 87762-0873 | 8 | ---- | 7.90 | 6.00 | 7.62 | 8.45 | -- | 5.50 ±0.15 | 3 | WITHOUT CAP IN TUBE |
| 87762-0874 | 8 | ---- | 7.90 | 6.00 | 7.62 | 8.45 | 18.58 | 5.50 ±0.15 | 3 | WITH CAP IN TUBE |
| 87762-0029 | 10 | ---- | 9.90 | 8.00 | 4.50 | 17.80 | -- | (5.50) | 2 | WITHOUT CAP IN TUBE |
| 87762-1000 | 10 | ---- | 9.90 | 8.00 | 4.50 | 17.80 | 24.81 | (5.50) | 2 | WITH CAP IN TUBE |
| 87762-2600 | 26 | ---- | 25.90 | 24.00 | 7.90 | 11.50 | -- | (5.50) | 1 | WITHOUT CAP IN TUBE |
| 87762-2601 | 26 | ---- | 25.90 | 24.00 | 7.90 | 11.50 | 21.91 | (5.50) | 1 | WITH CAP IN TUBE |

NOTES:

- MATERIAL: HOUSING: NYLON (4/6), UL94V-0, COLOR: BLACK
PIN: COPPER ALLOY, SQ, 0.50MM
- PLATING FINISH:
 - 15-25μ INCHES MIN GOLD PLATE IN SELECTED AREA AND 120-200μ INCHES MIN TIN ON SOLDER TAIL OVER 50-70μ INCHES MIN NICKEL UNDERPLATE OVERALL.
 - 120μ INCHES MIN TIN OVERALL
50μ INCHES MIN NICKEL UNDERPLATE OVERALL.
 - 15μ INCHES MIN GOLD PLATE IN SELECTED AREA AND 75μ INCHES MIN TIN ON SOLDER TAIL OVER 50μ INCHES MIN NICKEL UNDERPLATE OVERALL.
- PIN PUSHOUT FORCE: 1KG MIN IN EITHER DIRECTION.
- △4. CAP TO BE LOCATED AS CENTRAL OF PART AS POSSIBLE
- THE ABOVE 8CKTS SHOWN IS FOR ILLUSTRATION ONLY.
- FOR PACKING OPTION PLEASE REFER TO THE TABLE.
- HEADER MAY BE BROKEN TO DESIRE CKT SIZE.
SLIGHTLY FLASHES SHOULD BE ACCEPTED.
- PACKAGING SPECIFICATION: PK-89990-474

| | | | | | | | |
|--|-----------------|---|--------------------------------------|--------------------------------------|---|------------------------|--|
| EWR# 1002 EC NO: S2007-0080 DRWN:SKLIM01 2006/12/21 CHKD:CWLM 2006/12/22 APPR:KWLEE 2006/12/26 | QUALITY SYMBOLS | GENERAL TOLERANCES (UNLESS SPECIFIED) | DIMENSION STYLE | SCALE | DESIGN UNITS | THIRD ANGLE PROJECTION | |
| | ▽=0 ∇=0 | mm INCH | MM ONLY | NTS | METRIC | | |
| | DESCRIPTION | 4 PLACES ± --- ± --- 3 PLACES ± --- ± --- 2 PLACES ± 0.2 ± --- 1 PLACE ± --- ± --- | DRAWN BY DATE YLQ1A0 2004/12/10 | TITLE | CUSTOM HEADER 2.00MM PITCH, WITH PEG DUAL ROW DUAL WAFER, SMT | | |
| | REV | ANGULAR ± 3 ° | CHECKED BY DATE PTL IM 2004/12/28 | APPROVED BY DATE SCLOW 2004/12/28 | MOLEX INCORPORATED | | |

| | | | | |
|--|------------|-----------|------------------------------|---------------------|
| DRAFT WHERE APPLICABLE MUST REMAIN WITHIN DIMENSIONS | SIZE A3 | SEE TABLE | DOCUMENT NO. SD-87762-135 | SHEET NO. 1 OF 1 |
|--|------------|-----------|------------------------------|---------------------|

9 8 7 6 5 4 3 2 1