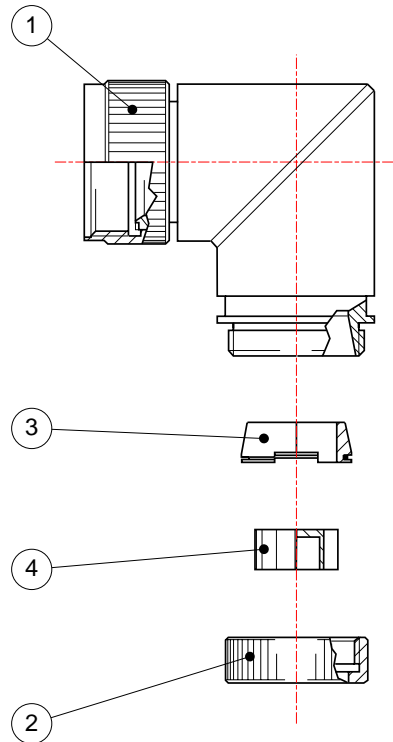
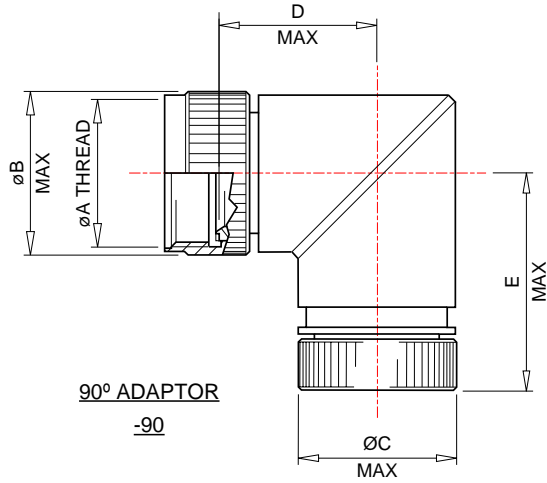



# CUSTOMER DRAWING

REV:  
A

DATE:  
Aug 21, 2008



© 2008 Tyco Electronics. All rights reserved.

		<p><b>Raychem</b> Wire and Harnessing Products 300 Constitution Drive Menlo Park, CA 94025, USA</p>		<p>TITLE: <b>HEXASHIELD ADAPTOR FOR CODE 54 CONNECTORS PLAIN CLAMPING NUT</b></p>	
<p>UNLESS OTHERWISE SPECIFIED DIMENSIONS ARE IN MILLIMETERS. INCH DIMENSIONS ARE SHOWN IN BRACKETS</p>		<p>Tyco Electronics reserves the right to amend this drawing at any time. Users should evaluate the suitability of the product for their application.</p>		<p>DOCUMENT NO. <b>HEX54L-KC-90-YY-AY-1</b></p>	
<p>DRAWN: IRT</p>	<p>DATE: JAN 08</p>	<p>CAGE CODE: 06090</p>	<p>DCR # ECO-08-019355</p>	<p>FILE: 87003/54L-90</p>	<p>SCALE: NONE</p>
				<p>SHEET: 1 OF 3</p>	

If this document is printed it becomes uncontrolled. Check for the latest revision.

# CUSTOMER DRAWING

REV:  
A

DATE:  
Aug 21, 2008

## KIT DESCRIPTION

ITEM	DESCRIPTION	MATERIAL
1	BODY ASSEMBLY	STAINLESS STEEL
2	CLAMPING NUT - PLAIN	STAINLESS STEEL
3	CONIC RING	STAINLESS STEEL
4	STAR - PLAIN	STAINLESS STEEL

## TABLE OF DIMENSIONS

Order Number	Shell Size		ØA Thread UNF/UNEF-2B	ØB Max	ØC Max	D Max	E Max	Ferrule Quantity
	Type A	Type B						Standard
09	08	N/A	0.5000"-20	16.0 [0.63"]	17.5 [0.69"]	22.5 [0.98]	30.5 [1.20"]	1
11	10	N/A	0.6250"-24	22.0 [0.87"]	21.5 [0.85"]	24.0 [0.94]	32.0 [1.26"]	2
13	12	07	0.7500"-20	25.0 [0.98"]	22.5 [0.89"]	26.0 [1.02"]	34.0 [1.34"]	3

## PART NUMBERING

HEX54 L - K C - 90 - 11 - A2 - 1


- CONNECTOR CODE NUMBER \_\_\_\_\_
- HEX54 = SEE APPLICATION
- L = EXTENDED BODY \_\_\_\_\_
- MATERIAL CODE: \_\_\_\_\_
- K = STAINLESS STEEL
- PLATING CODE: \_\_\_\_\_
- C = ELECTROLESS NICKEL TO SAE-AMS-C-26074
- BODY STYLE \_\_\_\_\_
- 90 = 90°
- ORDER NUMBER \_\_\_\_\_
- FERRULE QUANTITY CODE \_\_\_\_\_
- 1 = PLAIN CLAMPING NUT \_\_\_\_\_

## APPLICATION

- These adaptors are designed to be mounted on the following connectors:

- MIL-DTL-26482 Series II )
- MIL-DTL-83723 Series I and III )
- MIL-DTL-5015 ) Shell Size Type A
- HE312 )
- SAE-AS81703 Series III )
- HE312 ) Shell Size Type B
- DBAD )

© 2008 Tyco Electronics. All rights reserved.

 <b>Raychem</b> Wire and Harnessing Products 300 Constitution Drive Menlo Park, CA 94025, USA			TITLE: <b>HEXASHIELD ADAPTOR FOR                  CODE 54 CONNECTORS                  PLAIN CLAMPING NUT</b>			
UNLESS OTHERWISE SPECIFIED DIMENSIONS ARE IN MILLIMETERS. INCH DIMENSIONS ARE SHOWN IN BRACKETS		Tyco Electronics reserves the right to amend this drawing at any time. Users should evaluate the suitability of the product for their application.		DOCUMENT NO. <b>HEX54L-KC-90-YY-AY-1</b>		
DRAWN: IRT	DATE: JAN 08	CAGE CODE: 06090	DCR # ECO-08-019355	FILE: 87003/54L-90	SCALE: NONE	SHEET: 2 OF 3

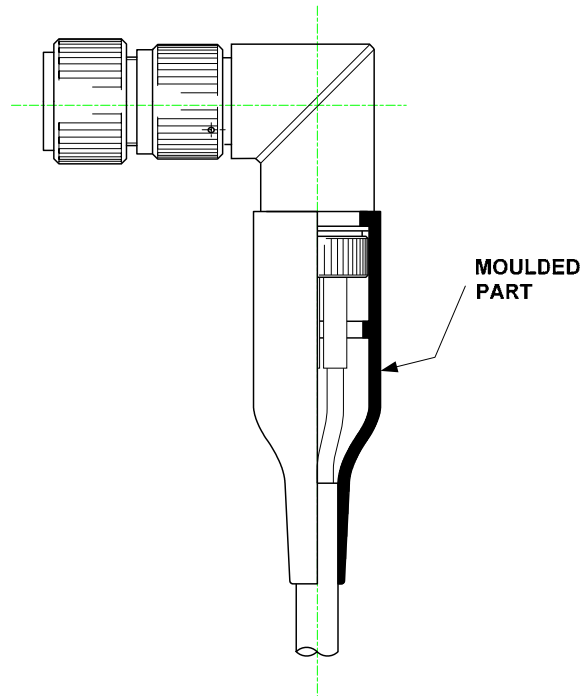
If this document is printed it becomes uncontrolled. Check for the latest revision.

# CUSTOMER DRAWING

REV:  
A

DATE:  
Aug 21, 2008

- They are qualified to the Raychem specification RB-114, when installed on metallic Mil-Specification circular connectors only.
- They are designed primarily for open wire bundle installation but are also designed to accept Raychem heat shrink moulded parts where strain relief is required – see illustration.



- Use in conjunction with ferrules HET-A-0XX, which are purchased separately. Refer to HET-A-0XX S.C.D. for relevant selection details.

## INSTALLATION

- See Installation Procedure RPIP-696-04 (straight bodies) or RPIP-696-07 (45° and 90° bodies) for assembly.
- See Installation Procedure RPIP-696-00 for shield termination.


## PACKAGING

- All components are supplied in a plastic bag.

## NOTES!

1. Item 4 - Star - is **not** supplied with Hexashield Order Number 09.
2. Assembly is to be permanently marked with Code Identity Number and Part Number.  
(e.g. 06090 HEX54L-KC-90-11-A2-1)

© 2008 Tyco Electronics. All rights reserved.

			<p><b>Raychem</b> Wire and Harnessing Products 300 Constitution Drive Menlo Park, CA 94025, USA</p>			<p>TITLE: <b>HEXASHIELD ADAPTOR FOR CODE 54 CONNECTORS PLAIN CLAMPING NUT</b></p>		
<p>UNLESS OTHERWISE SPECIFIED DIMENSIONS ARE IN MILLIMETERS. INCH DIMENSIONS ARE SHOWN IN BRACKETS</p>			<p>Tyco Electronics reserves the right to amend this drawing at any time. Users should evaluate the suitability of the product for their application.</p>			<p>DOCUMENT NO. <b>HEX54L-KC-90-YY-AY-1</b></p>		
<p>DRAWN: IRT</p>	<p>DATE: JAN 08</p>	<p>CAGE CODE: 06090</p>	<p>DCR # ECO-08-019355</p>	<p>FILE: 87003/54L-90</p>	<p>SCALE: NONE</p>	<p>SHEET: 3 OF 3</p>		

If this document is printed it becomes uncontrolled. Check for the latest revision.