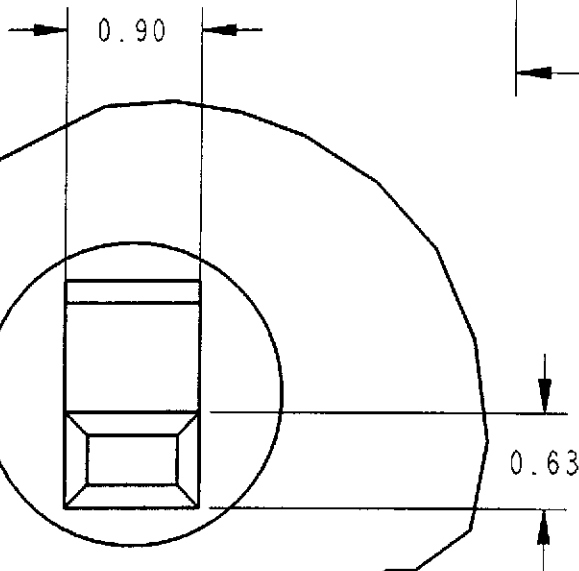
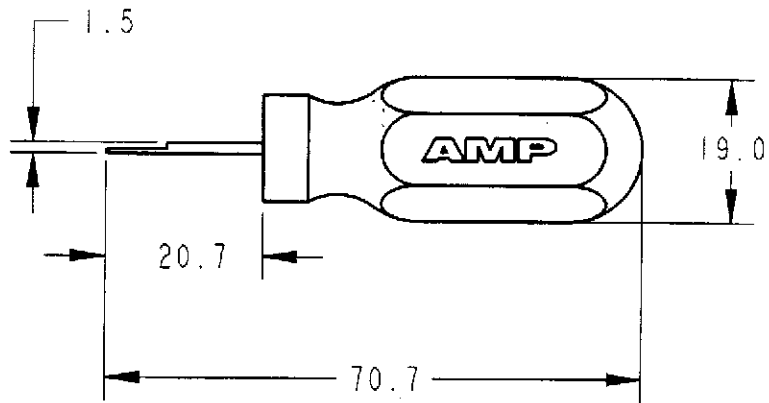
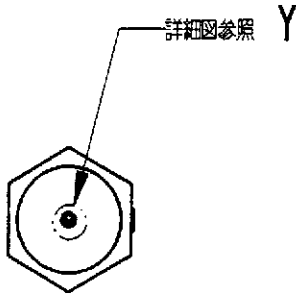


LOC	DIST	REVISIONS					
J	-	P	LTR	DESCRIPTION	DATE	DWN	APVD
		0	RELEASED	FJ00-0319-99	22FEB99	J.K	S.Y

-1: AS SHOWN
本図



詳細図 Y
スケール 20:1

- 1 APPLICABLE PRODUCTS 適用製品
- TERMINAL REC(STRIP): 131805/106-□
 - TERMINAL REC(L.P.): 1318107/108-□
 - TERMINAL TAB(STRIP): 131809/110-□
 - TERMINAL TAB(L.P.): 1318111/112-□
 - TAB HOUSING : 1318114~117-□
 - REC HOUSING : 1318118~120-□

2 INSTRUCTION SHEET NO: 411-5900
取扱説明書番号

THIS DRAWING IS UNPUBLISHED.

BY AMP INCORPORATED. ALL RIGHTS RESERVED. © COPYRIGHT 19

DIMENSIONS: mm	DWN J. KOGA	22-Feb-99	MATERIAL	FINISH		
	CHK J. KOGA	22FEB99	AMP AMP(JAPAN), LTD. Kawasaki, Japan			
TOLERANCES UNLESS OTHERWISE SPECIFIED:	APVD S. YABE	22FEB99			NAME	EXT-TOOL FOR DYNAMIC D2 CONN
0 PLC ±	PRODUCT SPEC	-	SIZE	CAGE CODE	DRAWING NO	RESTRICTED TO
1 PLC ±0.5	APPLICATION SPEC	114-5258	A4	00779	C=1276716	-
2 PLC ±0.13	WEIGHT	-	CUSTOMER DRAWING			
3 PLC ±0.013	SCALE		SHEET		OF	REV
4 PLC ±	SCALE		SHEET		OF	REV 0
ANGLES ±0°30'						