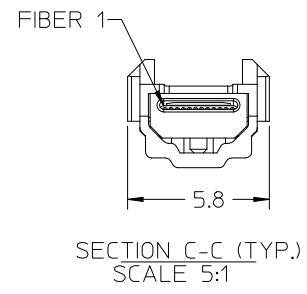
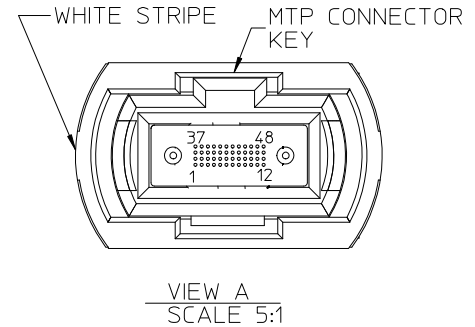
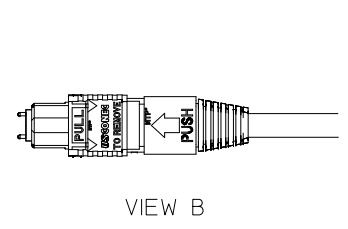
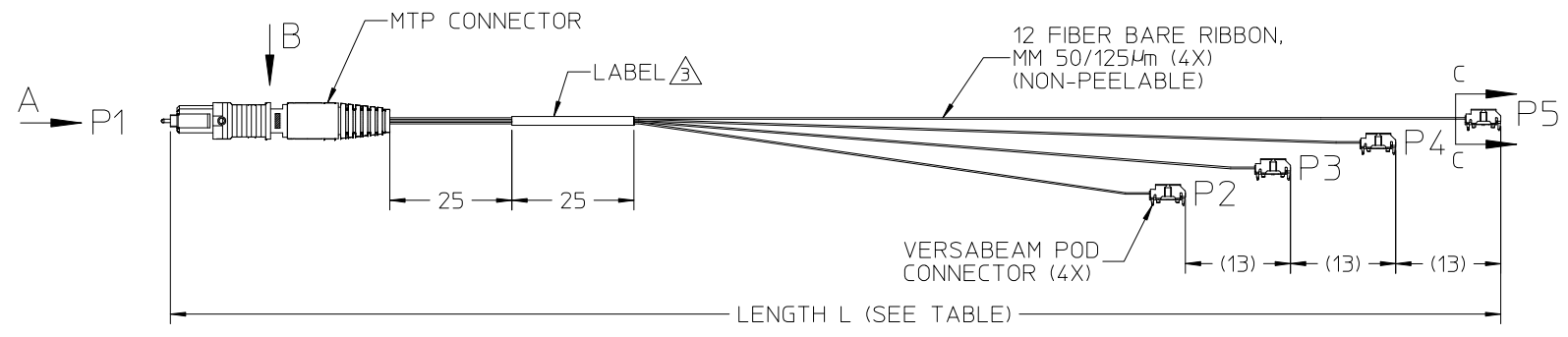


JUMPER P/N	LENGTH L [m]	MTP CONN. TYPE
106267-2041	0.5 +0.1/-0	FEMALE
106267-2042	1.0 +0.2/-0	
106267-2051	0.5 +0.1/-0	MALE
106267-2052	1.0 +0.2/-0	

CONNECTIONS	
P1-1 THRU P1-12	P2-1 THRU P2-12
P1-13 THRU P1-24	P3-1 THRU P3-12
P1-25 THRU P1-36	P4-1 THRU P4-12
P1-37 THRU P1-48	P5-1 THRU P5-12



- NOTES:
1. END CAPS ARE NOT SHOWN BUT INCLUDED.
 2. MTP MALE CONNECTOR IS SHOWN. FEMALE CONNECTOR DOES NOT CONTAIN PINS.
 3. INSERTION LOSS @ 850nm TO AN INTERPOSER: 2.0 dB. THROUGHPUT LOSS (MTP+VERSABEAM POD): 1.5dB. TEST DATA IS SENT WITH JUMPER.
 4. LABEL IS PRINTED WITH MOLEX NAME, PART NUMBER AND SERIAL NUMBER.

ENTER DESCRIPTION EC NO: MF2012-0411 IT DRINKPEVZNER 2012/02/23 CHKD: 2012/02/23 APPR: LGUMIN 2012/02/28	QUALITY SYMBOLS ▽=0 ▽7=0	GENERAL TOLERANCES (UNLESS SPECIFIED) <table border="1"> <thead> <tr> <th></th> <th>mm</th> <th>INCH</th> </tr> </thead> <tbody> <tr> <td>4 PLACES</td> <td>±---</td> <td>±---</td> </tr> <tr> <td>3 PLACES</td> <td>±---</td> <td>±---</td> </tr> <tr> <td>2 PLACES</td> <td>±---</td> <td>±---</td> </tr> <tr> <td>1 PLACE</td> <td>±---</td> <td>±---</td> </tr> </tbody> </table> ANGULAR ±1/2°		mm	INCH	4 PLACES	±---	±---	3 PLACES	±---	±---	2 PLACES	±---	±---	1 PLACE	±---	±---	DIMENSION STYLE MM ONLY	SCALE 1:1	DESIGN UNITS INCH	THIRD ANGLE PROJECTION
		mm	INCH																		
	4 PLACES	±---	±---																		
	3 PLACES	±---	±---																		
2 PLACES	±---	±---																			
1 PLACE	±---	±---																			
DRAFT WHERE APPLICABLE MUST REMAIN WITHIN DIMENSIONS	DRAWN BY EEFUNG	DATE 2010/08/10	CHECKED BY DATE	APPROVED BY BANDREI	DATE 2010/08/27	TITLE MTP48 TO 4X VERSABEAM POD JUMPER, MM 50/125UM															
MATERIAL NO. SEE TABLE	MOLEX INCORPORATED	DOCUMENT NO. SD-106267-2041	SHEET NO. 1 OF 1	THIS DRAWING CONTAINS INFORMATION THAT IS PROPRIETARY TO MOLEX INCORPORATED AND SHOULD NOT BE USED WITHOUT WRITTEN PERMISSION																	
SIZE B																					