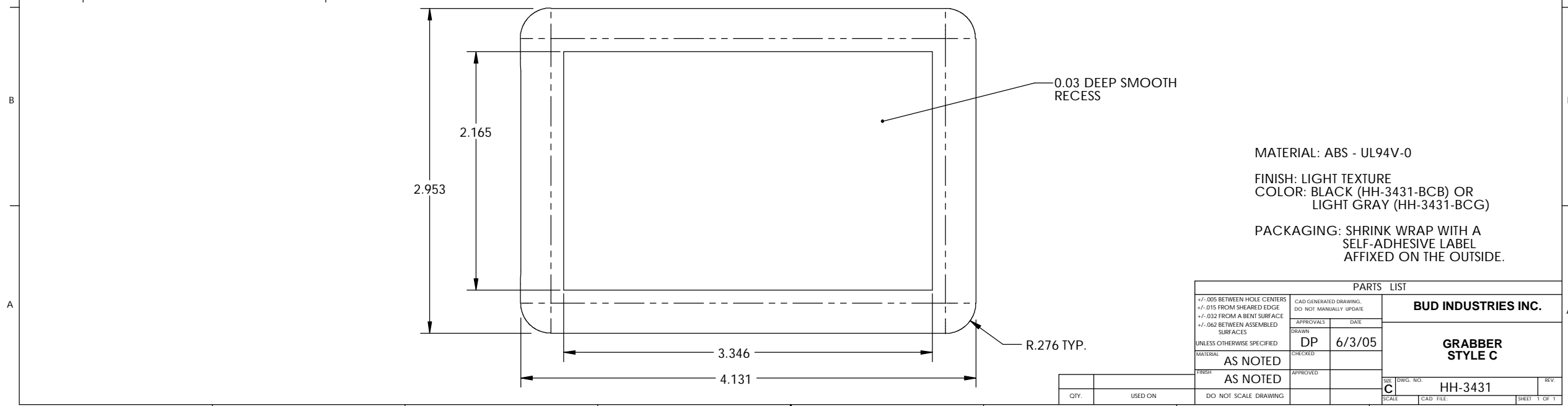
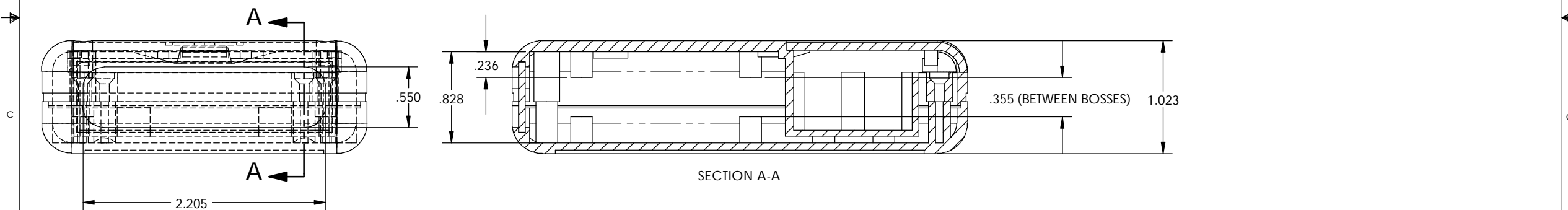
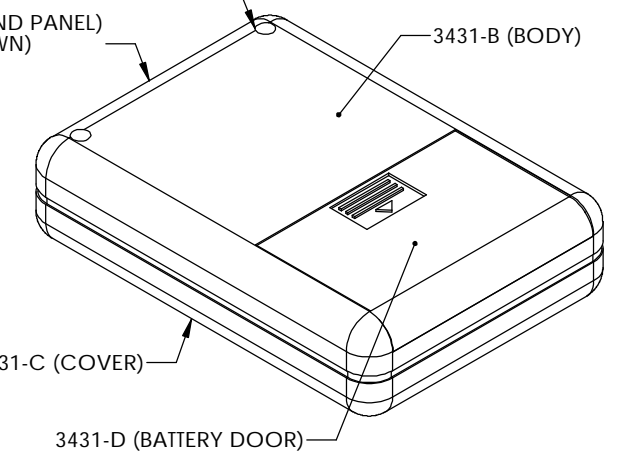
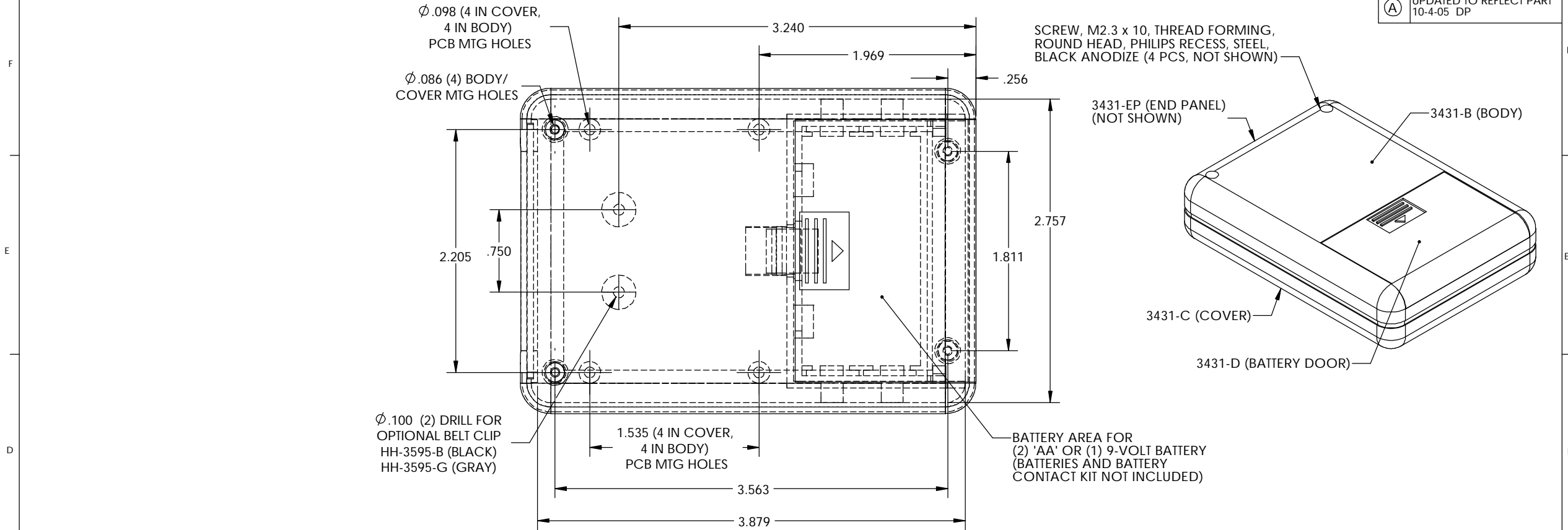


THE INFORMATION CONTAINED IN THIS DRAWING IS THE SOLE PROPERTY OF BUD INDUSTRIES INC. ANY REPRODUCTION IN PART OR WHOLE WITHOUT THE WRITTEN PERMISSION OF BUD INDUSTRIES INC. IS PROHIBITED.

DWG. NO.	HH-3431
ISSUE	REVISIONS
(A)	UPDATED TO REFLECT PART 10-4-05 DP



MATERIAL: ABS - UL94V-0  
 FINISH: LIGHT TEXTURE  
 COLOR: BLACK (HH-3431-BCB) OR LIGHT GRAY (HH-3431-BCG)  
 PACKAGING: SHRINK WRAP WITH A SELF-ADHESIVE LABEL AFFIXED ON THE OUTSIDE.

PARTS LIST			
+/- .005 BETWEEN HOLE CENTERS		CAD GENERATED DRAWING. DO NOT MANUALLY UPDATE	
+/- .015 FROM SHEARED EDGE		DO NOT MANUALLY UPDATE	
+/- .032 FROM A BENT SURFACE		DO NOT MANUALLY UPDATE	
+/- .062 BETWEEN ASSEMBLED SURFACES		DO NOT MANUALLY UPDATE	
UNLESS OTHERWISE SPECIFIED		APPROVALS	DATE
MATERIAL		DRAWN	DP
FINISH		CHECKED	6/3/05
AS NOTED		APPROVED	
AS NOTED			
DO NOT SCALE DRAWING			
CITY		SCALE	
USED ON		CAD FILE	
		SHEET 1 OF 1	

**BUD INDUSTRIES INC.**  
**GRABBER**  
**STYLE C**  
 HH-3431