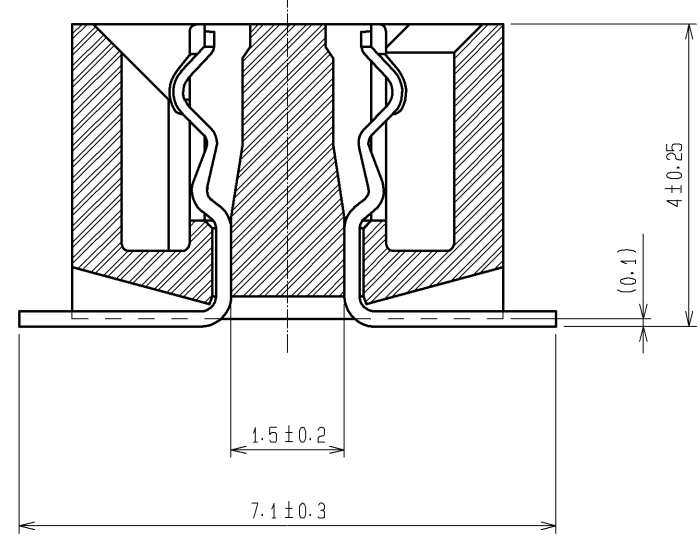
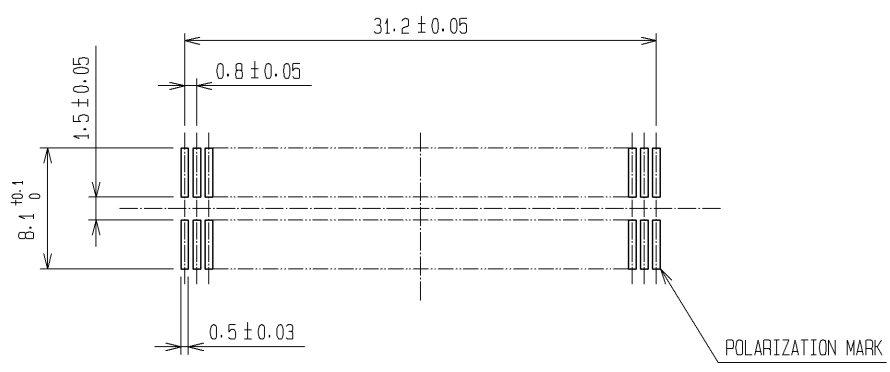


A-A (10:1)



RECOMMENDED LAND PATTERN DIMENSION OF PCB (MOUNTING SIDE)
(METAL MASK THICKNESS: t=0.15)



- NOTE
- ① HRS MARK SHALL BE OPTIONAL.
 - ② LEAD CO-PLANARITY SHALL BE 0.1mm MAX.
 - ③ FOR MODIFICATION, ETC., PREVENTIVE HOLE FOR SINK MARK MAY BE ADDED ACCORDING TO CIRCUMSTANCES.
 - ④ THE DIMENSIONS IN PARENTHESES ARE FOR REFERENCE.

1	PPS	LIGHT BROWN (UL94V-0)	2	PHOSPHOR BRONZE	CONTACT AREA : GOLD 0.1μm min. LEAD AREA : TIN-PLATING 1μm min. UNDER PLATING : NICKEL 2μm min.		
NO.	MATERIAL	FINISH . REMARKS	NO.	MATERIAL	FINISH . REMARKS		
UNITS mm		SCALE 2 : 1	COUNT △	DESCRIPTION OF REVISIONS	DESIGNED	CHECKED	DATE
HRS HIROSE ELECTRIC CO., LTD.		APPROVED : HS. OKAWA	08.06.30	DRAWING NO.	EDC3-071332-25		
		CHECED : HT. YAMAGUCHI	08.06.28	PART NO.	FX6A-80S-0.8SV(C71)		
		DESIGNED : TS. MIYAKI	08.06.26	CODE NO.	CL576-0307-3-71		
		DRAWN : TS. MIYAKI	08.06.26		△ 1/1		