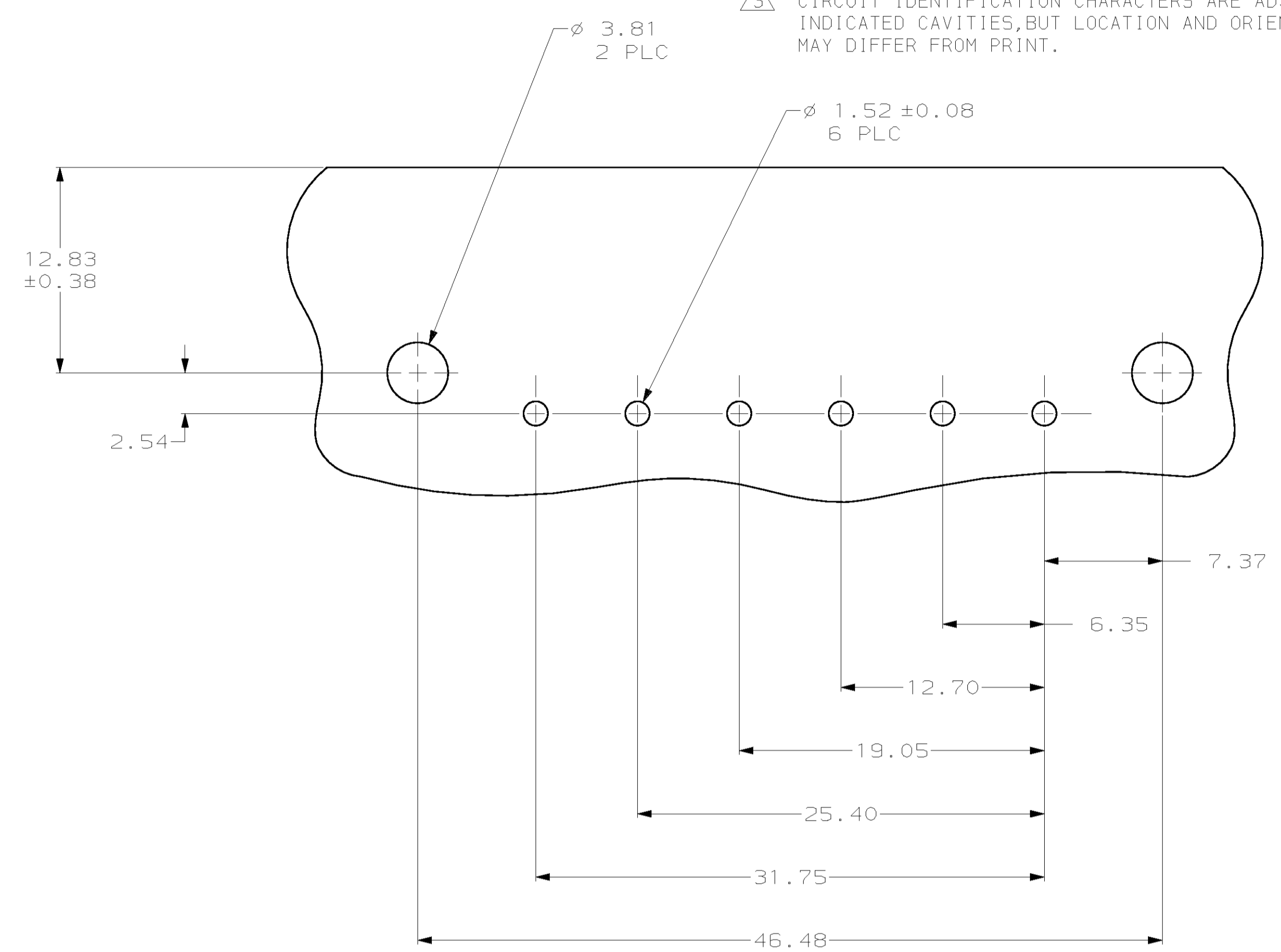
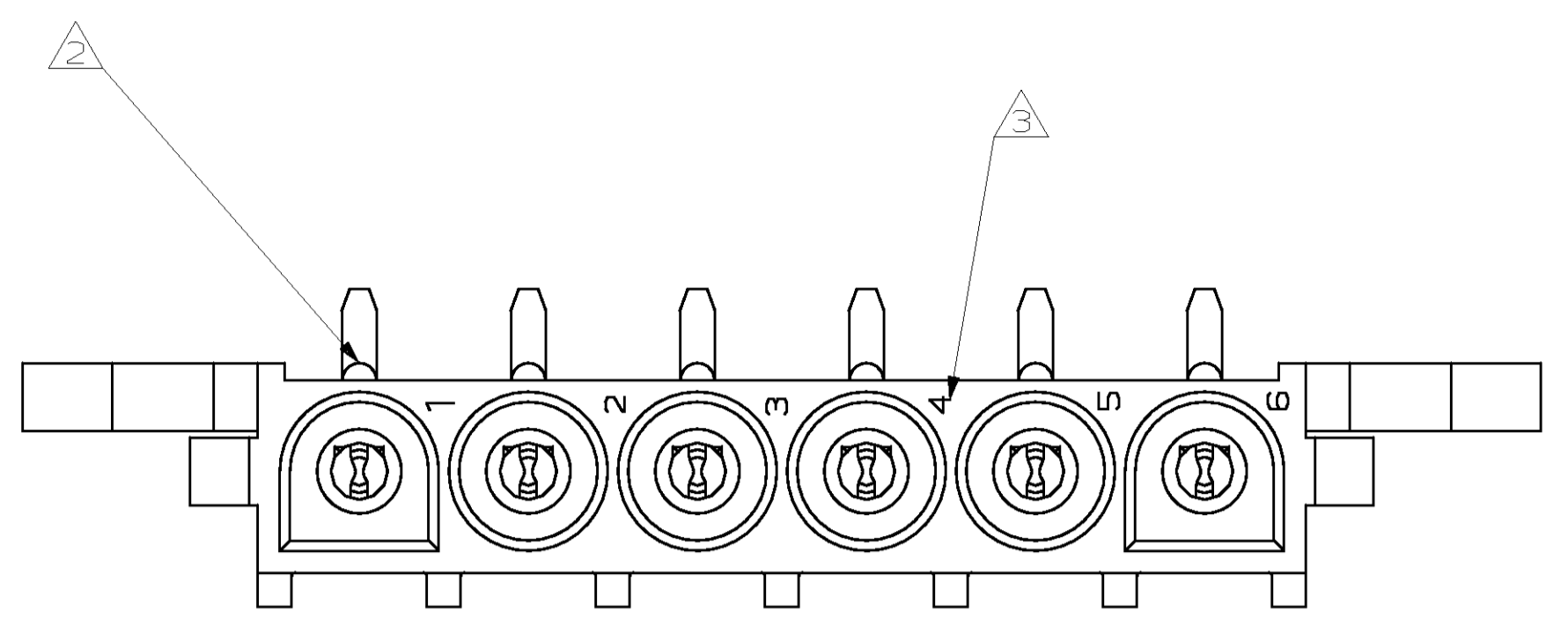


LOC	DIST	REV	DATE	BY	APPV
CM	53				

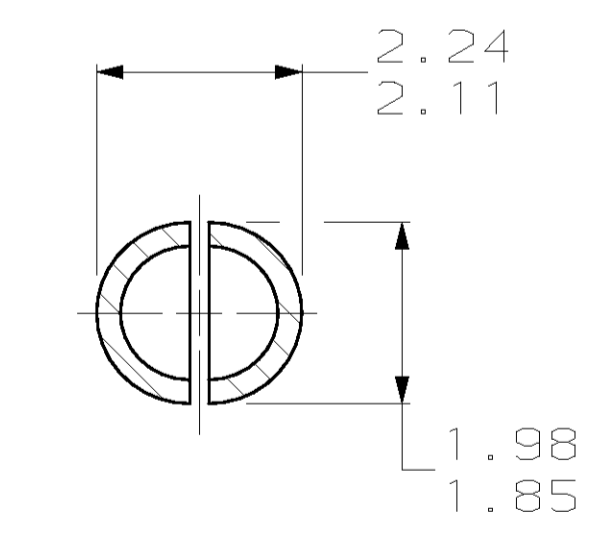
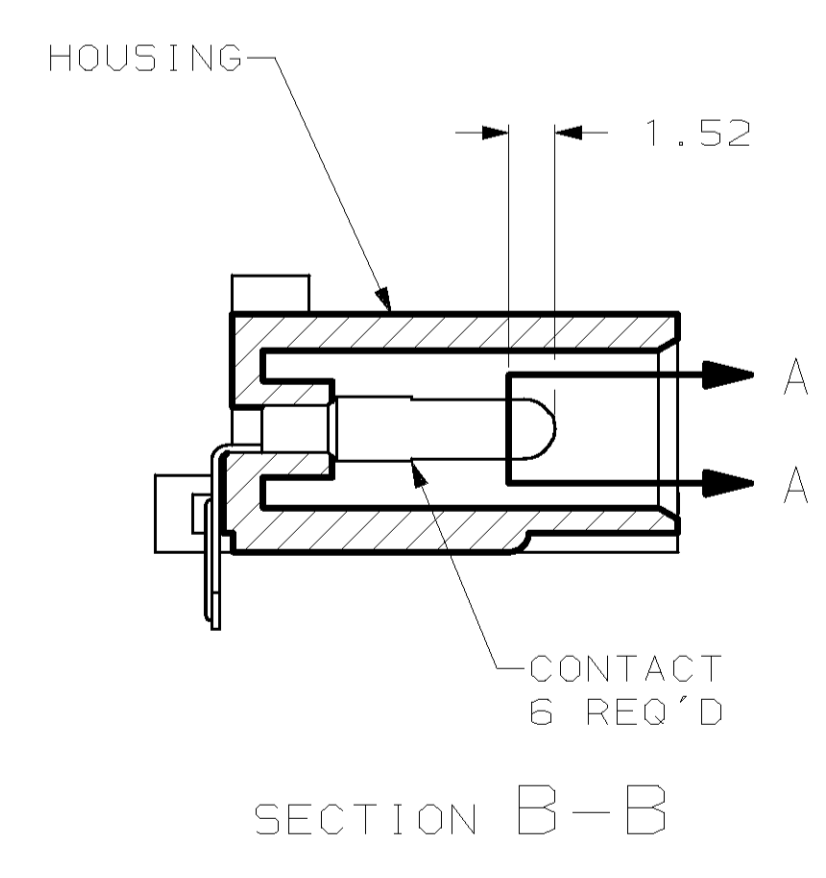
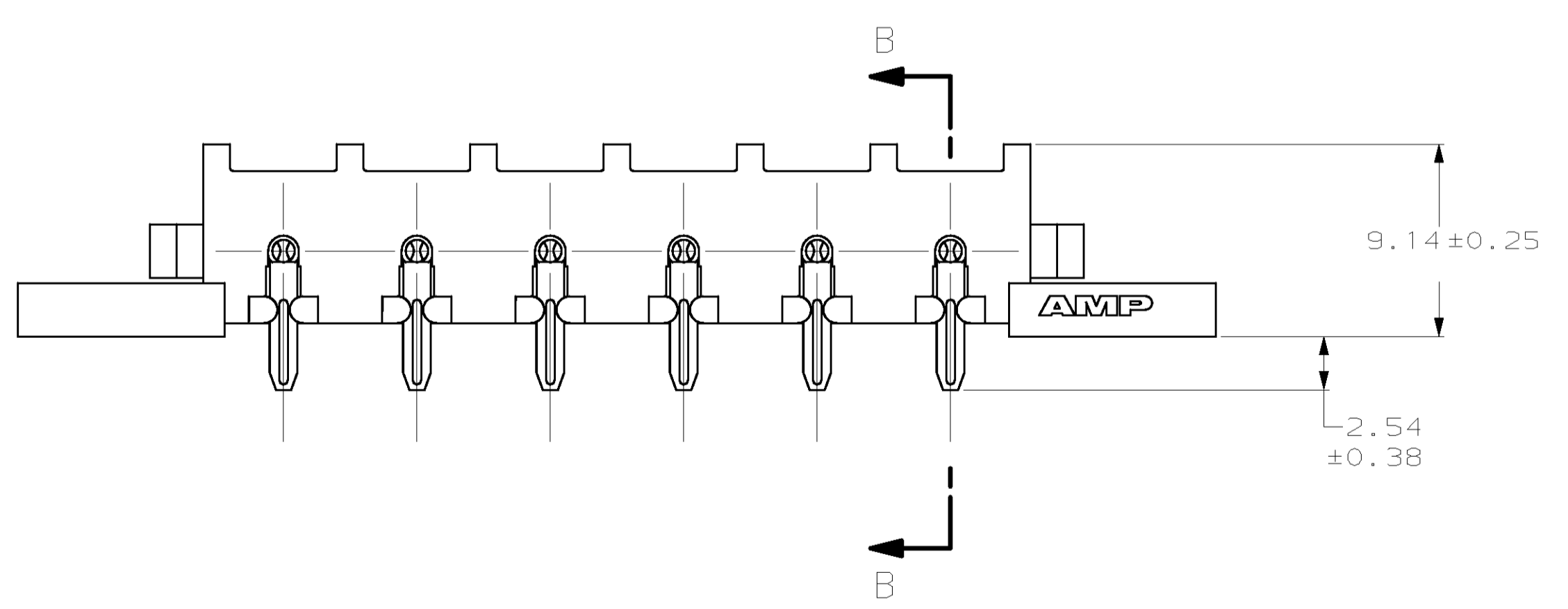
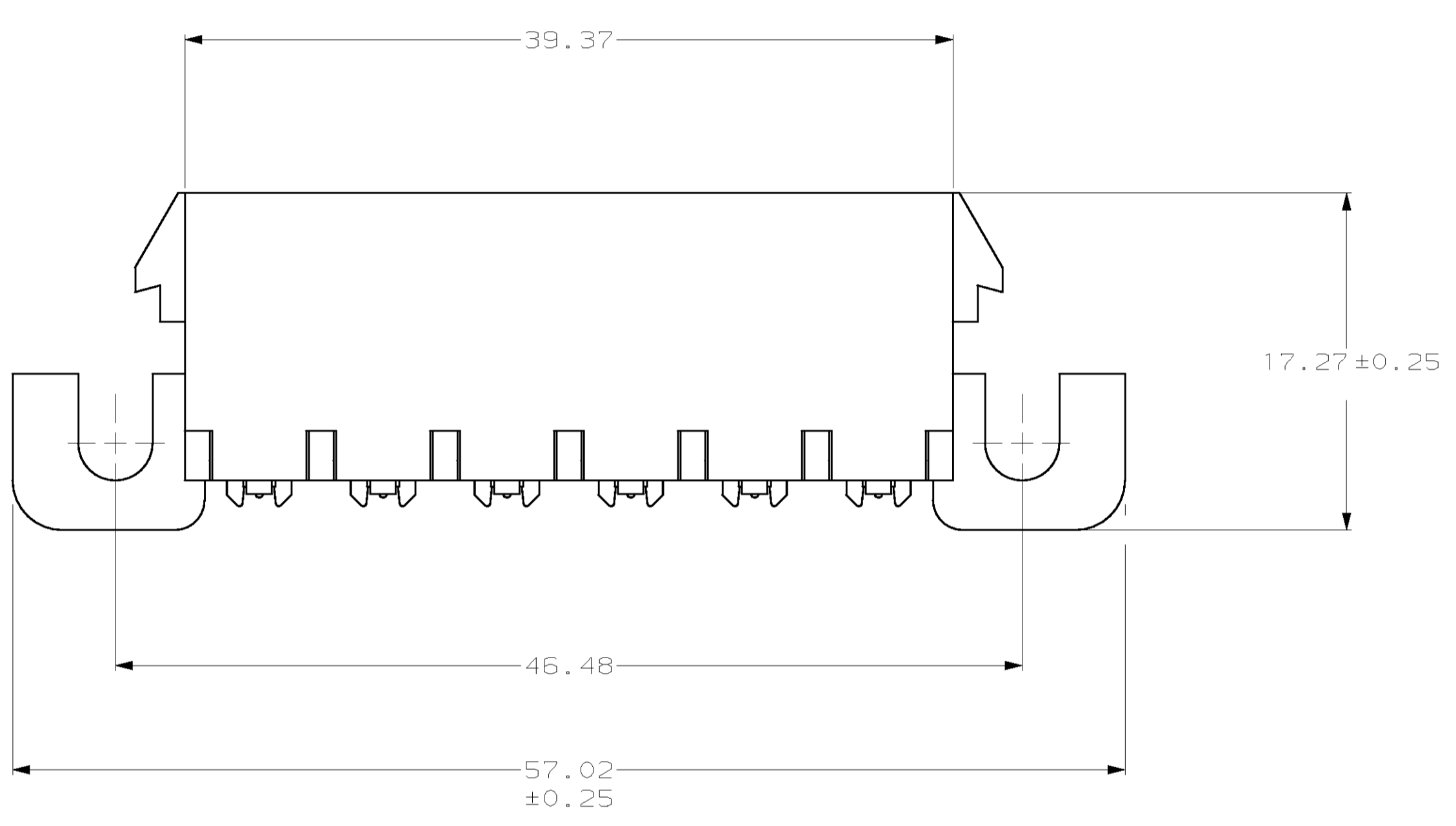
  

REVISIONS					
REV	DATE	DESCRIPTION	DATE	BY	APPV
C	20-JAN-99	RLSD -2 PER EC 0618-0263-98		BL	RS

- PARTS COMPLY WITH AMP SOLDERABILITY SPEC 109-11-5.
- OPTIONAL CONSTRUCTION MAY DELETE THIS RIB.
- CIRCUIT IDENTIFICATION CHARACTERS ARE ADJACENT TO THE INDICATED CAVITIES, BUT LOCATION AND ORIENTATION MAY DIFFER FROM PRINT.



RECOMMENDED MOUNTING HOLE PATTERN FOR 1.57 THICK P.C. BOARD



SECTION A-A SCALE 10:1

MM	IN	MM	IN	MM	IN
1.98	.078	12.70	.500	57.02	2.245
1.85	.073	9.14	.360	46.48	1.830
1.57	.062	7.37	.290	39.37	1.550
1.52	.060	6.35	.250	31.75	1.250
0.38	.015	3.81	.150	25.40	1.000
0.25	.010	2.54	.100	19.05	.750
0.13	.005	2.24	.088	17.27	.680
0.08	.003	2.11	.083	12.83	.505

CONVERSION TABLE

PH BRZ PRE-TIN	NYLON, UL94V-2, GRAY	794368-2
PH BRZ PRE-TIN	NYLON, UL94V-2, BLUE	794368-1
CONTACT	HOUSING	PART NO

THIS DRAWING IS A CONTROLLED DOCUMENT.

AMP INCORPORATED  
 HARRISBURG, PA 17105-3608

**AMP**

PIN HEADER ASSEMBLY,  
 RIGHT ANGLE MOUNT,  
 6 POSITION, UNIVERSAL MATE-N-LOK™

SCALE 4:1 SHEET 1 OF 1 REV C

**METRIC**