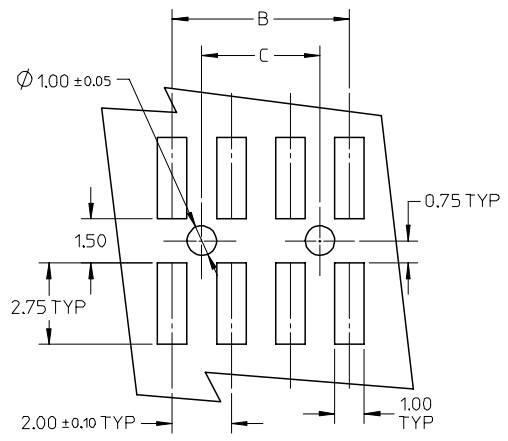
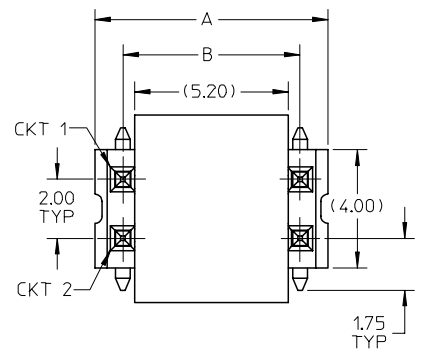
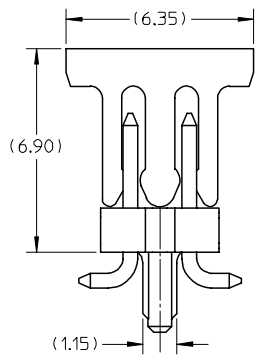
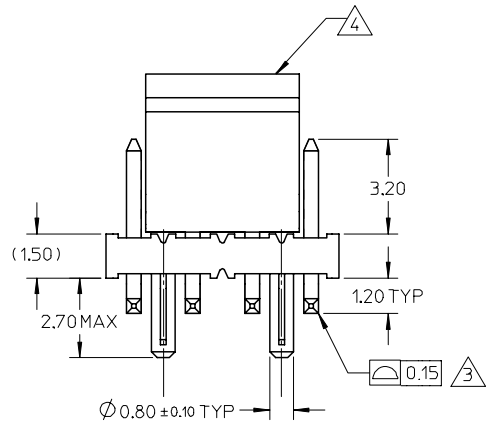


10 9 8 7 6 5 4 3 2 1

PART NUMBERS	CKT SIZE	VOID POSITION	DIMENSION		PACKAGING TYPE
			A	B	
87759-0028	20	----	19.90	18.00	WITHOUT CAP IN TUBE
87759-0029	20	----	19.90	18.00	WITH CAP IN TUBE
87759-0030	20	----	19.90	18.00	WITH CAP IN TAPE & REEL



RECOMMENDED PCB PATTERN



NOTES:

- MATERIAL: HOUSING: NYLON (4/6), 30% G.F., UL94V-0, COLOR: BLACK
PIN: COPPER ALLOY, SQ, 0.5mm
- PLATING FINISH: 15µin MIN GOLD PLATE IN SELECTED AREA AND
75µin MIN TIN ON SOLDER TAIL OVER
50µin MIN NICKEL UNDERPLATE OVERALL.
- COPLANARITY IS TO BE MEASURED BY RESTING THE SOLDER TAIL ON A FLAT SURFACE
- CAP TO BE LOCATED AS CENTRAL OF PART AS POSSIBLE
- TUBE LENGTH : 560mm REF.
- THE ABOVE 8CKTS SHOWN IS FOR ILLUSTRATION ONLY.
- PRODUCT SPECIFICATION: PS-87761-100

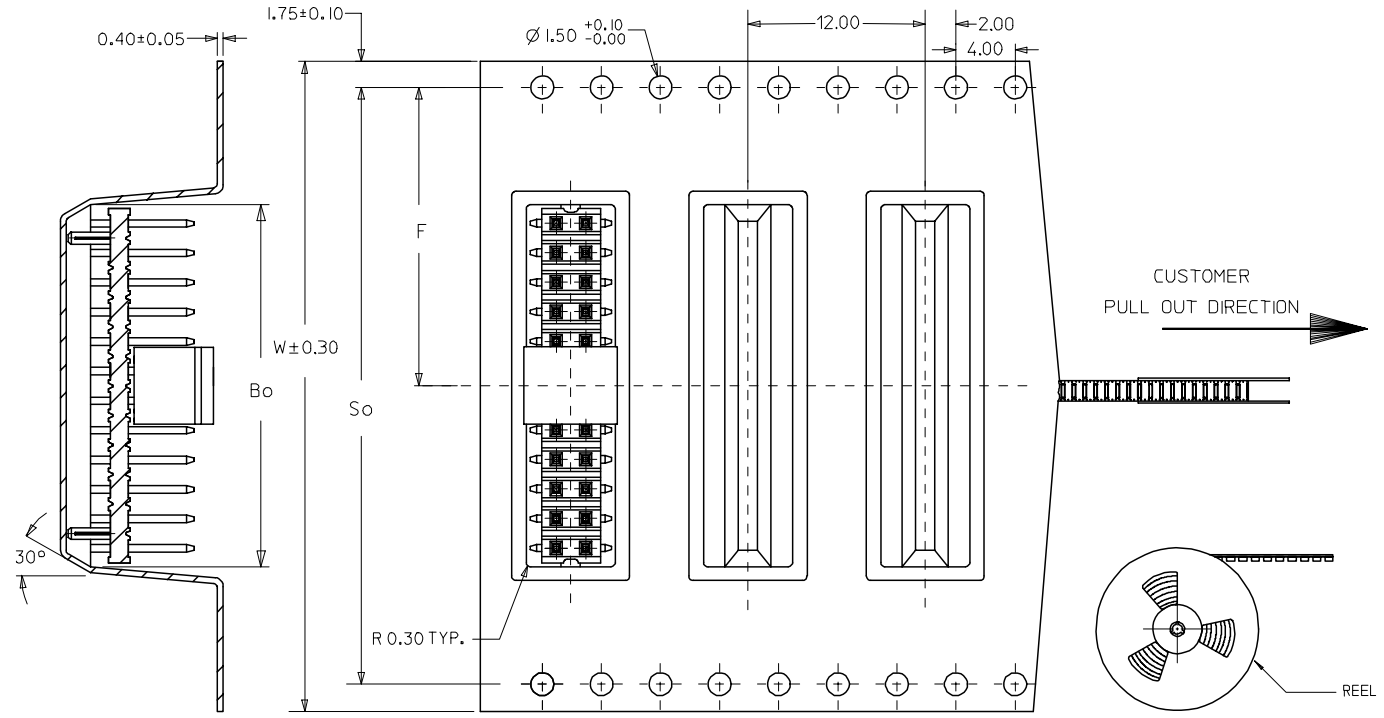
REVISED EC NO: S2007-0829 DRWN:SKL/M01 CHKD:CLAM APPR:KWLEE	DESCRIPTION 2007/04/10 2007/04/12 2007/04/17	QUALITY SYMBOLS	GENERAL TOLERANCES (UNLESS SPECIFIED)	DIMENSION STYLE	SCALE	DESIGN UNITS	THIRD ANGLE PROJECTION		
		▽=0 ∇=0	mm INCH	MM ONLY	NTS	METRIC			
			4 PLACES ± --- ± --- 3 PLACES ± --- ± --- 2 PLACES ± 0.20 ± --- 1 PLACE ± --- ± ---	DRAWN BY DATE KCHO 2004/08/23	CHECKED BY DATE PTL IM 2004/08/24	TITLE CUSTOM HEADER MGRID, 2.00MM PITCH, HDR DUAL ROW S/W W/PEG, SMT			
			ANGULAR ± 3 °	APPROVED BY DATE SCLOW 2004/08/25	MOLEX INCORPORATED				
		DRAFT WHERE APPLICABLE MUST REMAIN WITHIN DIMENSIONS	SEE TABLE	DOCUMENT NO. SD-87759-226		SHEET NO. 1 OF 2			

9 8 7 6 5 4 3 2 1

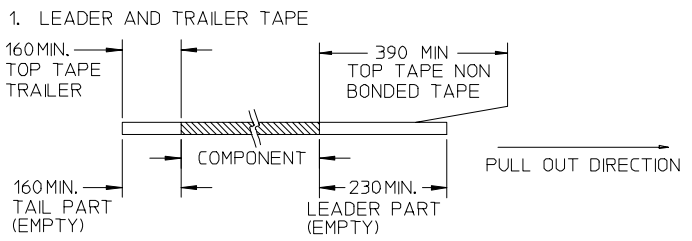
10 9 8 7 6 5 4 3 2 1

PART NUMBERS WITH CAP IN TAPE & REEL	CKT SIZE	F	Bo	So	W
87759-0030	20	20.20	20.50	40.40	44.00

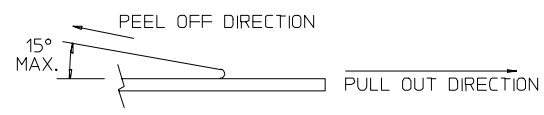
WITH CAP IN TAPE & REEL PACKAGING



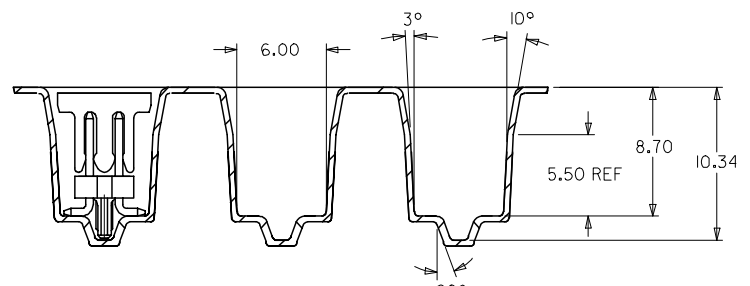
NOTES:



2. PEELING OFF FORCE OF THE TOP TAPE: 20-80gf.
(PEELING DIRECTION AS SHOWN IN FOLLOWING FIGURE)



- 3. TAPE AND REEL SPECIFICATION IS AS PER EIA-481.
- 4. TAPE AND REEL QUANTITY : 500PCS/ REEL.
- 5. THE TAPE IS TREATED FOR ANTI-STATIC.



REVISED EC NO: S2007-0829 DRWN:SKL/M01 2007/04/10 CHKD:C/LAM 2007/04/12 APPR:K/LEE 2007/04/17	QUALITY SYMBOLS	GENERAL TOLERANCES (UNLESS SPECIFIED)	DIMENSION STYLE	SCALE	DESIGN UNITS	THIRD ANGLE PROJECTION
	$\nabla=0$ $\sphericalangle=0$	mm INCH 4 PLACES ± --- ± --- 3 PLACES ± --- ± --- 2 PLACES ± 0.20 ± --- 1 PLACE ± --- ± --- ANGULAR ± 3 °	MM ONLY	NTS	METRIC	
	DESCRIPTION	DRAWN BY DATE	TITLE	CUSTOM HEADER MGRID, 2.00MM PITCH, HDR DUAL ROW S/W W/PEG, SMT MOLEX INCORPORATED		
	REV	KCHO 2004/08/23 PTL IM 2004/08/24 SCLOW 2004/08/25	MATERIAL NO. SEE TABLE			
DRAFT WHERE APPLICABLE MUST REMAIN WITHIN DIMENSIONS		APPROVED BY DATE SCLOW 2004/08/25	DOCUMENT NO.	SHEET NO.		
		SIZE A3	THIS DRAWING CONTAINS INFORMATION THAT IS PROPRIETARY TO MOLEX INCORPORATED AND SHOULD NOT BE USED WITHOUT WRITTEN PERMISSION	SD-87759-226	2 OF 2	

9 8 7 6 5 4 3 2 1