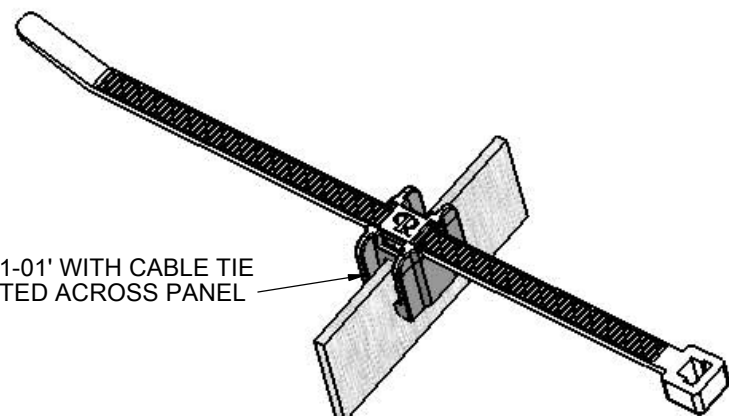


'FTH-31-01' WITH CABLE TIE MOUNTED ALONG PANEL



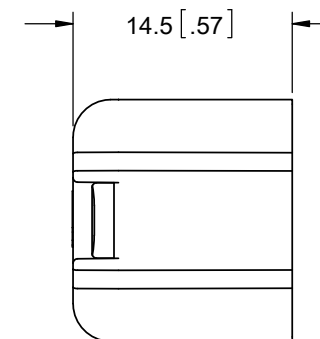
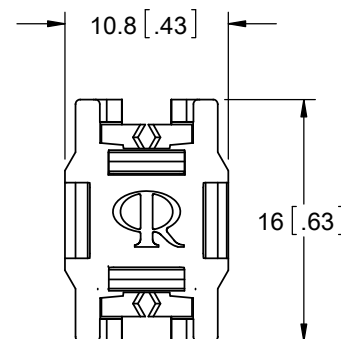
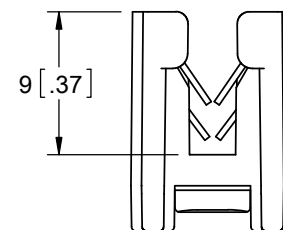
'FTH-31-01' WITH CABLE TIE MOUNTED ACROSS PANEL

MATERIAL: METAL CLIP: STAINLESS STEEL TYPE '2B' BRIGHT FINISH, (RMS-365) GRADE 304(1.4301 THICK), HOUSING: NYLON 6/6 UL94 V-2 (RMS-01)* COLOR: BLACK

PART NUMBER	PANEL THICKNESS	RETENTION FORCE	CABLE TIES ACCEPTED
FTH-31-01	0.8 - 3[.03 - .12]	TO STEEL PANEL: Minimum 25N 0.8 [0.03] Panel Minimum 45N 3 [0.12] Panel TO PLASTIC PANEL: Minimum 150N 2.4 - 3 [0.09 - 0.12]	WIT/WITA-30,-40,-50,

CAN BE ASSEMBLED WITH CABLE TIES BY SPECIAL ORDER

*HOUSING ALSO AVAILABLE IN NYLON 6/6 UL94 V-0 (RMS-19) AND NYLON 6/6 UL94 V-2 HEAT STABILIZED (RMS-47) BY SPECIAL ORDER. TO ORDER REPLACE -01 WITH -19 OR -47 RESPECTIVELY.



NOTES:
1. NOT SUPPLIED WITH CABLE TIES- TO BE ORDERED SEPARATELY

A	RELEASED FOR PRODUCTION, CO 200654	SK	09/15/11
REV.	DESCRIPTION	ENGR.	DATE

TITLE: EDGE CLIP TIE HOLDER							
CREATED USING SOLIDWORKS	FILE #: FTH-31	DWN: SK	APP: SK	FINAL			
TOLERANCES UNLESS NOTED ±0.25 ANG.=±1°	SHEET: 1 OF 1	SHEET SIZE: B	DT: 05/17/11	CHKD: DZ	PART #		PRINT TYPE
RE: RICHCO, INC		RICHCO, INC. WWW.RICHCO-INC.COM		SEE TABLE		CA	