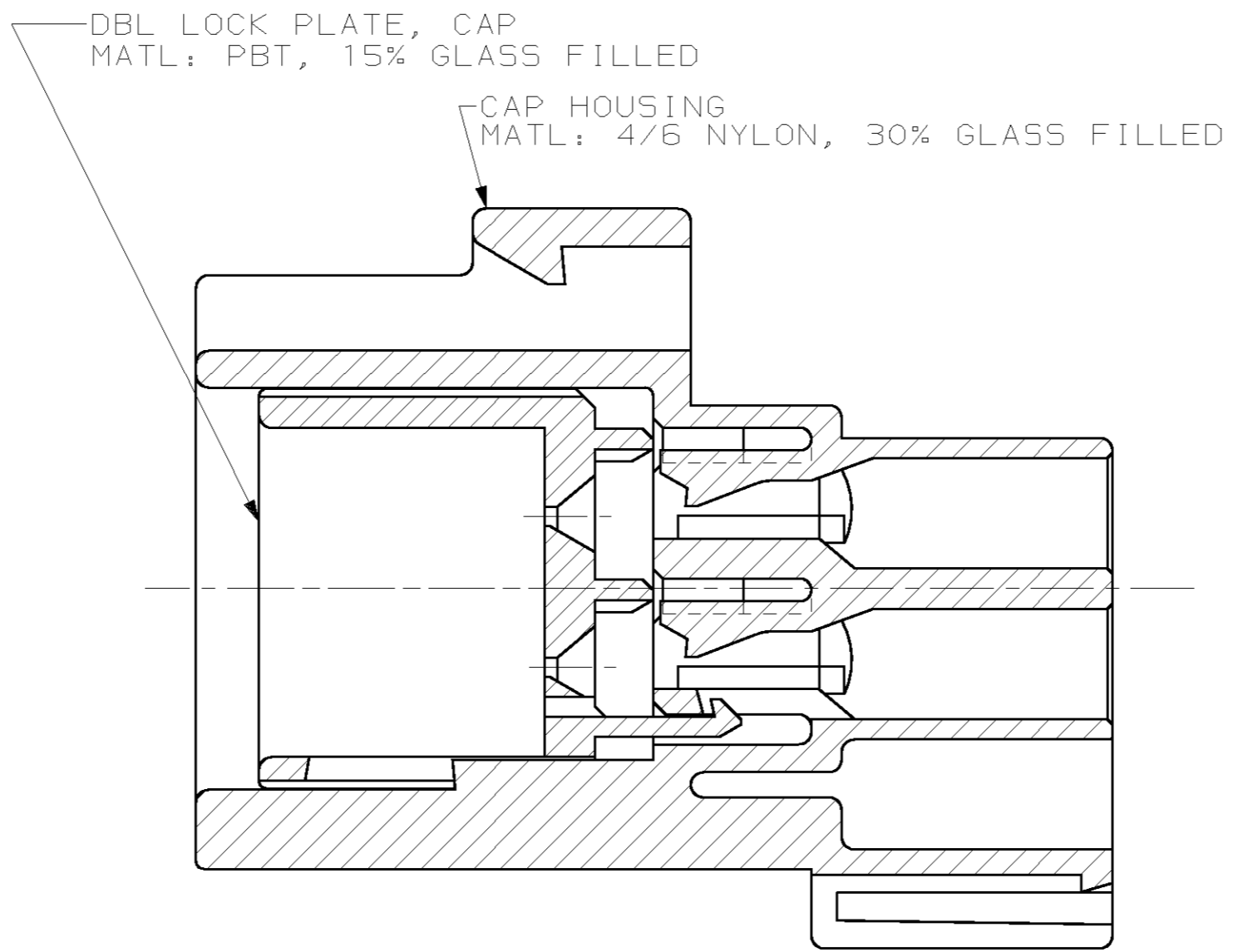
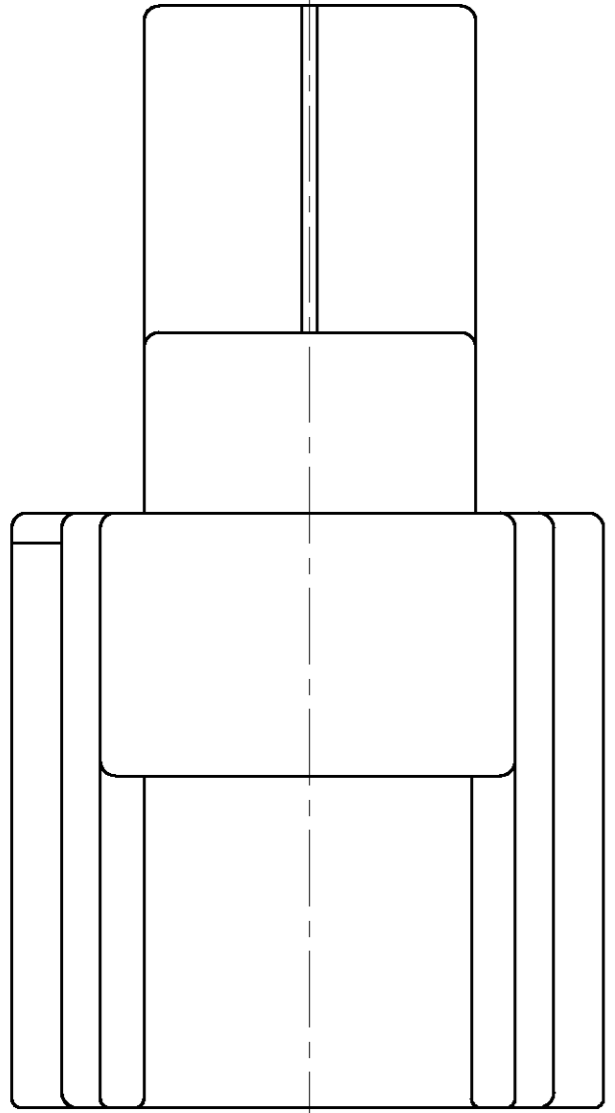
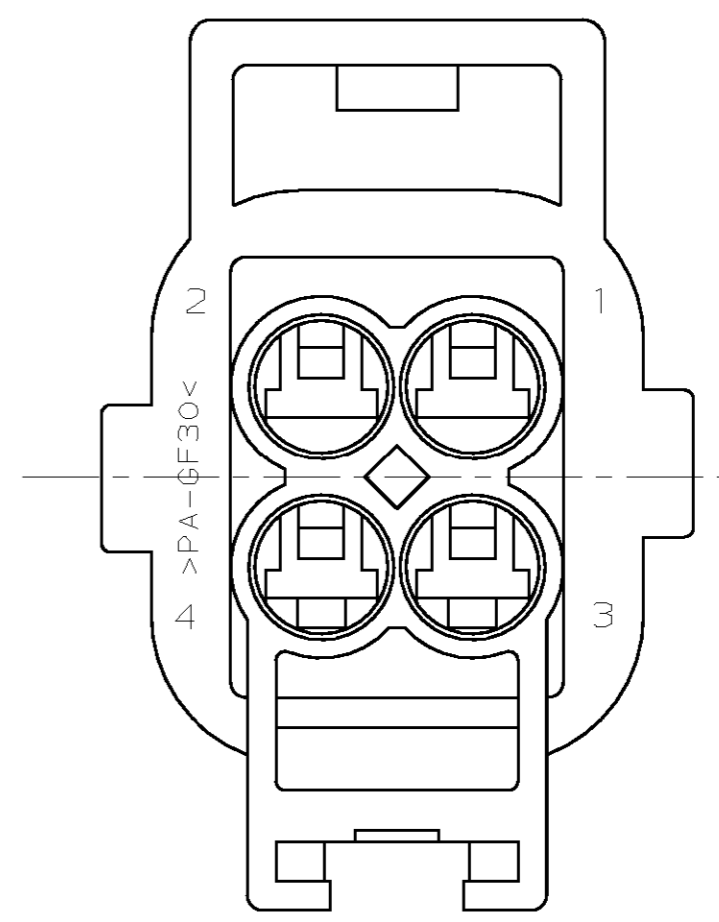
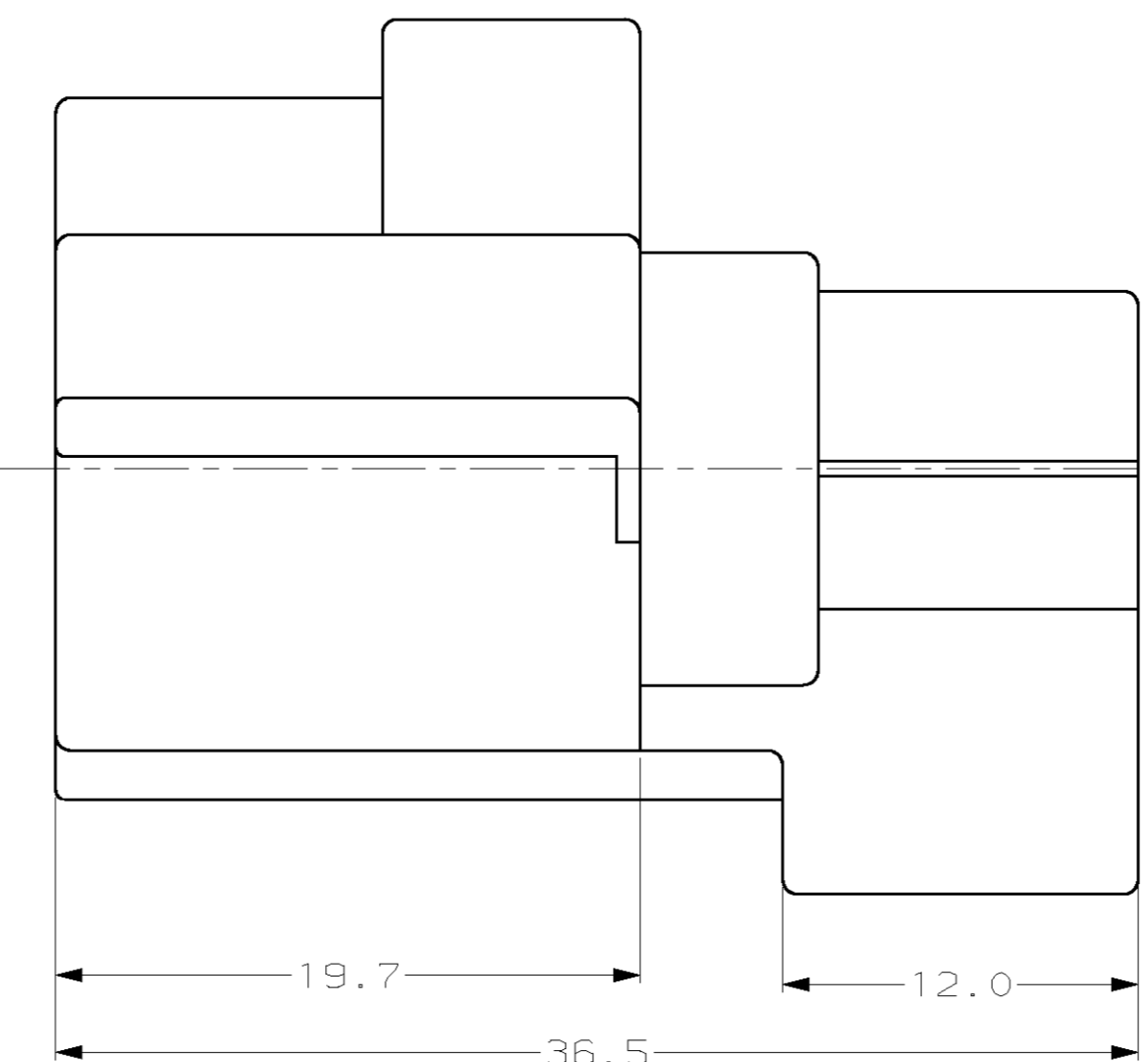
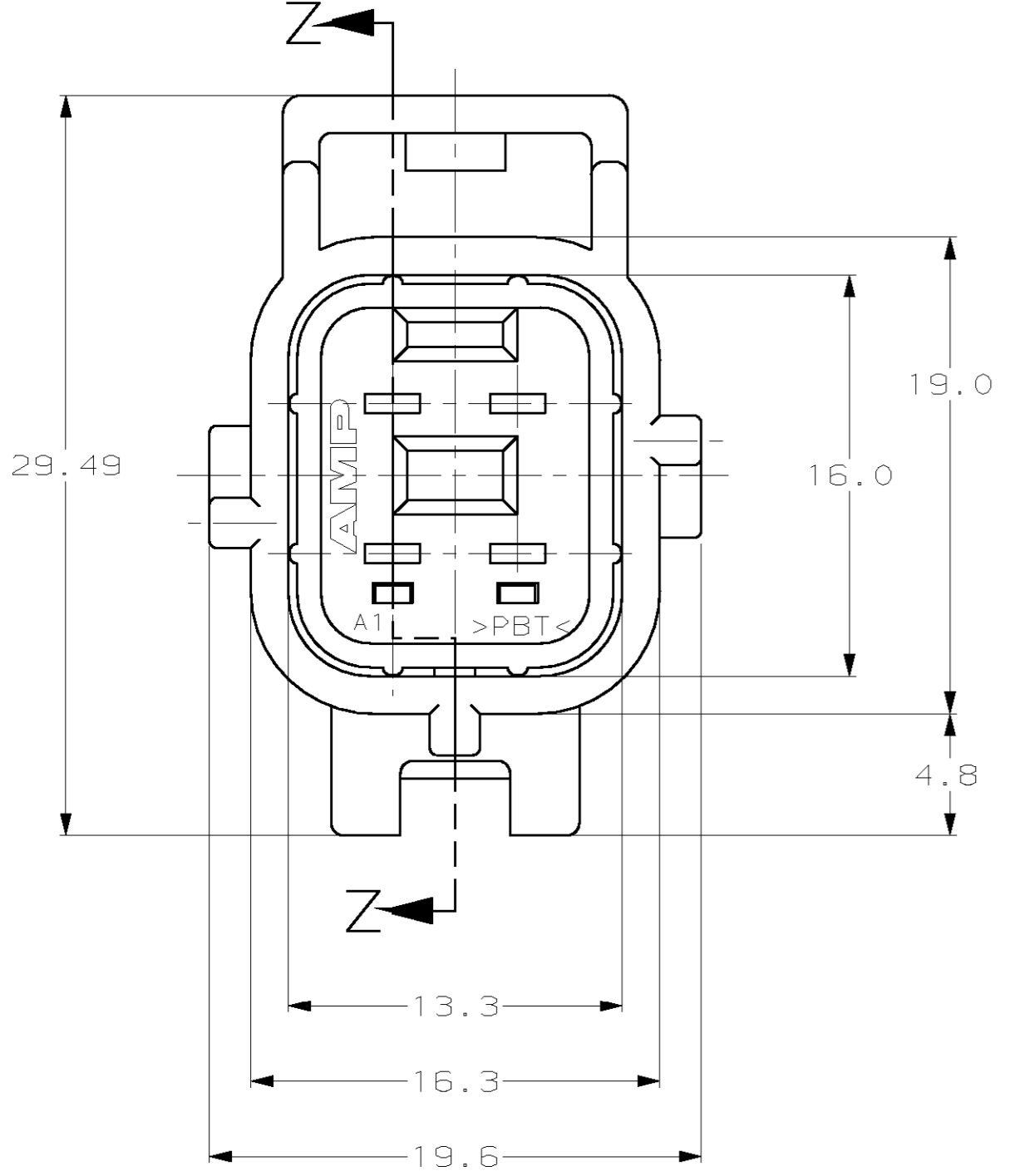


THIS DRAWING IS UNPUBLISHED. RELEASED FOR PUBLICATION .19
 (C) COPYRIGHT 19 BY AMP INCORPORATED. ALL RIGHTS RESERVED.

LOC	DIST	REVISIONS					
GE	00	P	LTR	DESCRIPTION	DATE	DWN	APVD
		B		REV PER NPR 00-37 & EC 0K40-1049-00	16JUN00	PY	MH
		C		REV PER EC# 0K40-0143-00	6-22-00	PC	MH



SECTION Z-Z
SCALE 4:1



NATURAL	184305-2
BLACK	184305-1
CAP COLOR	PART NUMBER

THIS DRAWING IS A CONTROLLED DOCUMENT.		DWN	KD LYTLE	05/12/97	AMP Incorporated Harrisburg, PA 17105-3608
DIMENSIONS:		CHK	CT HYRB	05/13/97	
mm		APVD	CT HYRB	05/13/97	
		PRODUCT SPEC		NAME	
TOLERANCES UNLESS OTHERWISE SPECIFIED:		APPLICATION SPEC		2 X 2 CAP ASY, KEY C-C4	
0 PLC ±-		-		SIZE	A2
1 PLC ±0.3		-		CAGE CODE	00779
2 PLC ±0.15		-		DRAWING NO	C-184305
3 PLC ±-		-		SCALE	4:1
4 PLC ±-		-		SHEET	1 OF 1
ANGLES ±-		-		REV	C
FINISH -		-		CUSTOMER DRAWING	

184305