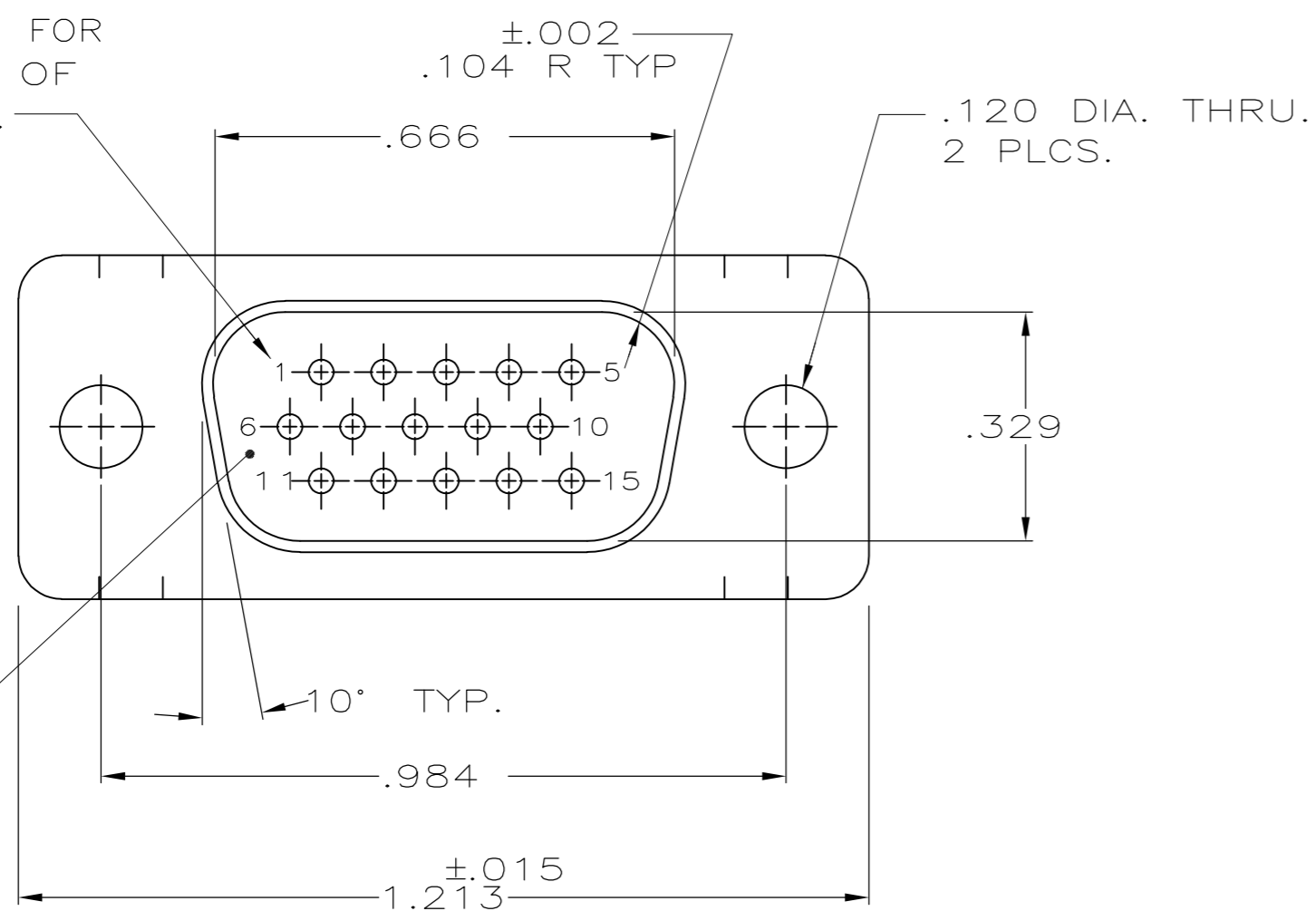


THIS DRAWING IS UNPUBLISHED. RELEASED FOR PUBLICATION  
 © COPYRIGHT BY TYCO ELECTRONICS CORPORATION. ALL RIGHTS RESERVED.

LOC		DIST		REVISIONS			
P	LTR	DESCRIPTION	DATE	DWN	APVD		
DF	DO	G	REV PER ECO 10-001162	27JAN10	PY	RL	

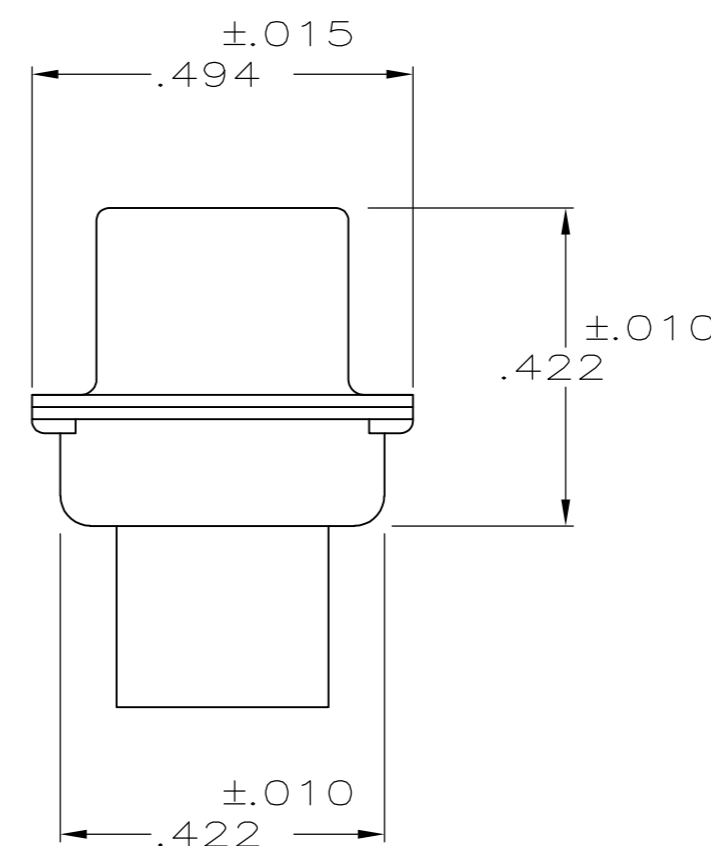
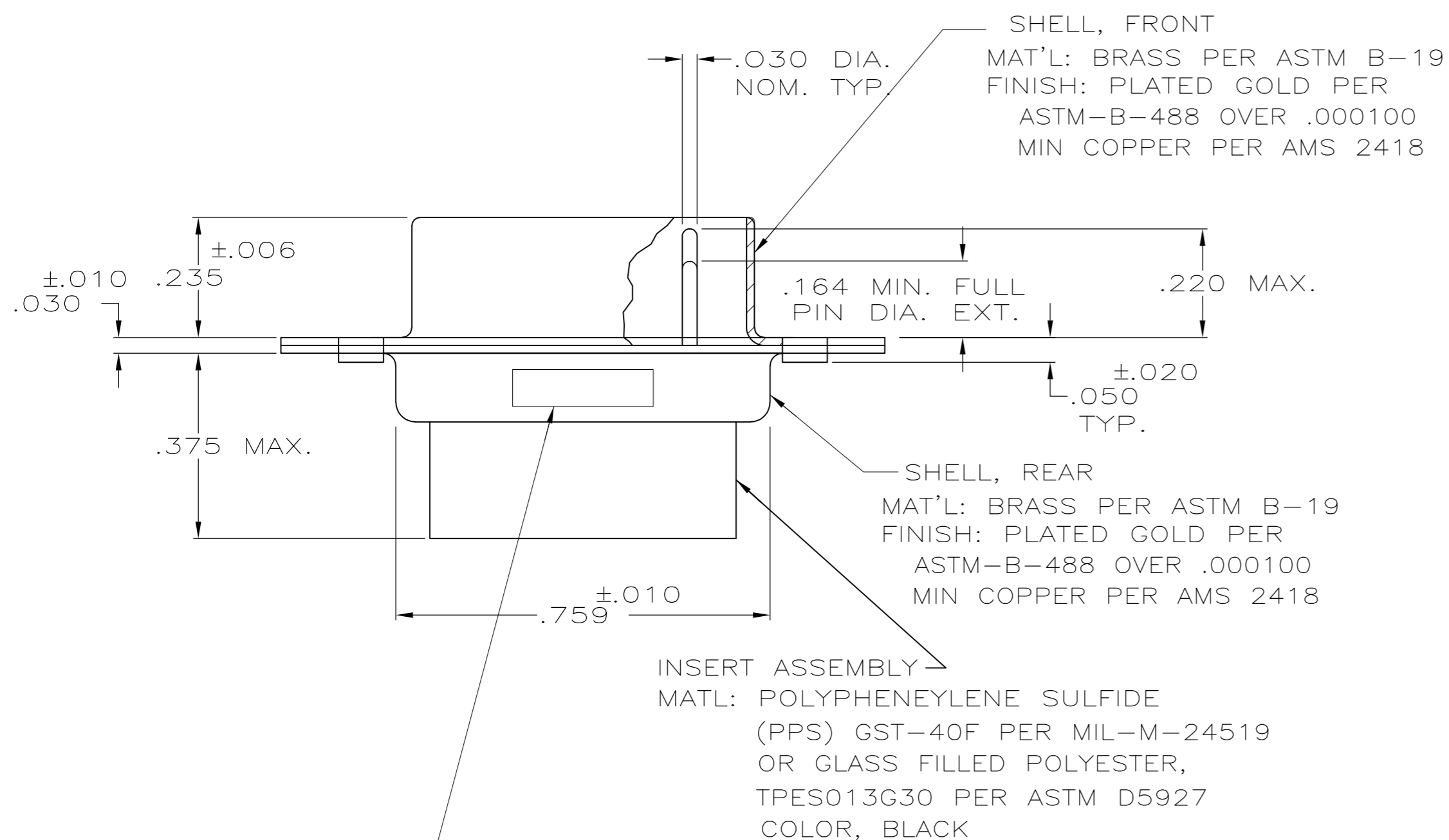
RAISED NUMBERS FOR IDENTIFICATION OF CIRCUIT HOLES.



- THIS PLUG WILL MATE WITH ANY SIZE 1,15 POSN. RECEPTACLE IN AMPLIMITE SERIES.
- CONNECTOR SUPPLIED WITHOUT CONTACTS; SHOWN FOR ILLUSTRATION ONLY.
- BE-CU RETENTION CLIPS ARE INCLUDED IN INSERTS AND INSTALLED WITH TINES POINTING TOWARDS MATING FACE.
- OVERALL DIMENSIONS DO NOT INCLUDE RAISED CAVITY IDENTIFICATION
- MARKING FAR SIDE REFERS TO WIDE SIDE OF KEYSTONE. NEAR SIDE REFERS TO NARROW SIDE OF KEYSTONE

- △ 100% INSPECTION REQUIRED PER BOEING 1B01:  
 A. VISUAL  
 B. DWV  
 C. IR
7. CUSTOMER REQUIRES SINGLE LOT DATE CODE.

MATING FACE



CUSTOMER P/N (IF APPLICABLE) MARKED ON FAR SIDE. MANUFACTURER'S NAME, BRAND NAME OR LOGO AND MANUFACTURER'S PART NO AND DATE CODE MARKED ON NEAR SIDE

△ 6	1B01-007PHW	1-211649-1
△ 6	1B01-007	211649-1
REMARKS	CUSTOMER PART NO.	PART NO.

THIS DRAWING IS A CONTROLLED DOCUMENT.		DWN 3-23-84 D.ERDMAN	Tyco Electronics Corporation Harrisburg, PA 17105-3608	
DIMENSIONS: INCHES		CHK 4-26-84 B.YOHN	NAME	
TOLERANCES UNLESS OTHERWISE SPECIFIED:		APVD 7-5-84 G.SACUNAS	PRODUCT SPEC	
0 PLC ± -		APPLICATION SPEC		
1 PLC ± -		WEIGHT -		
2 PLC ± -		SIZE A2		
3 PLC ± .005		CAGE CODE 00779		
4 PLC ± -		DRAWING NO C-211649		
ANGLES ± 0°30'		RESTRICTED TO -		
MATERIAL SEE CALLOUTS		FINISH SEE CALLOUTS		SCALE 4:1
		CUSTOMER DRAWING		SHEET 1 of 1
				REV G