

THIS DRAWING IS UNPUBLISHED.

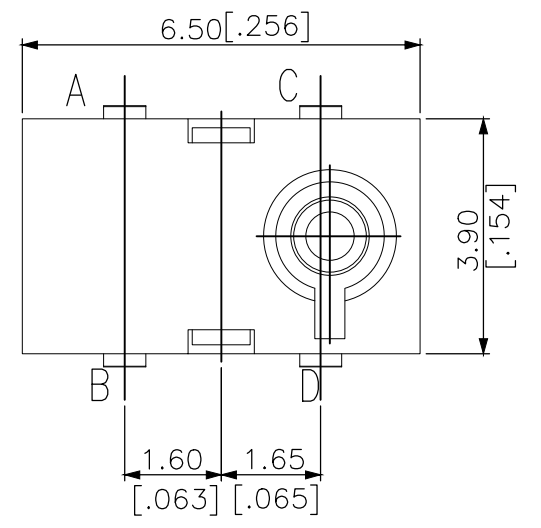
RELEASED FOR PUBLICATION

REVISIONS

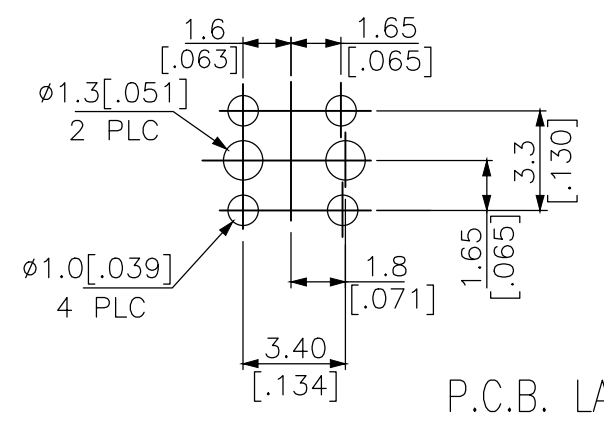
© COPYRIGHT - TE Connectivity Ltd.

ALL RIGHTS RESERVED.

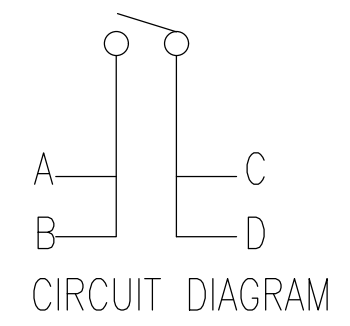
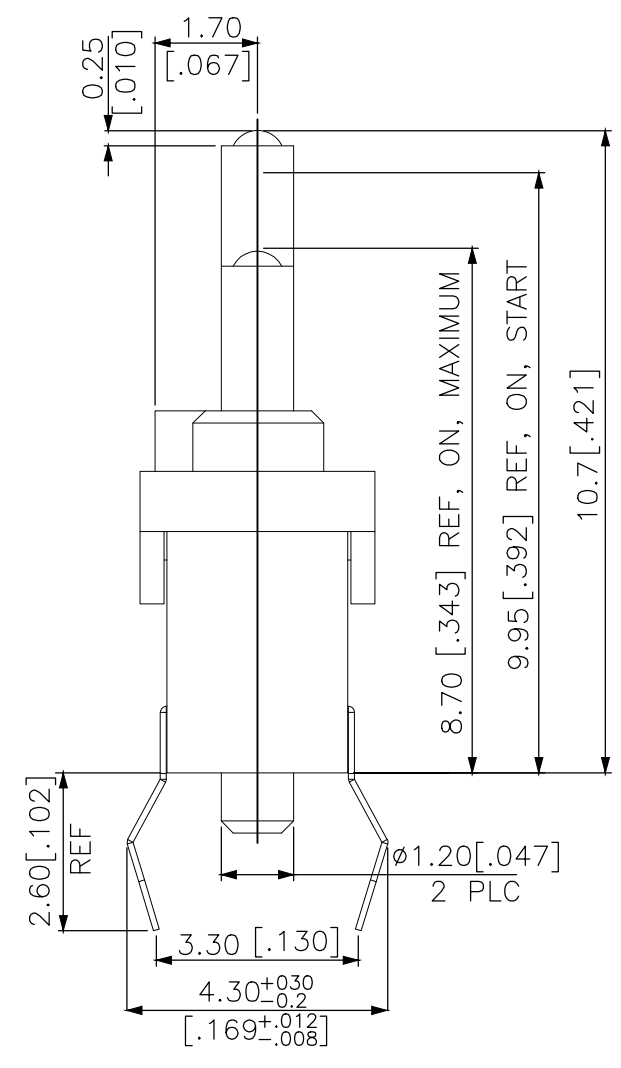
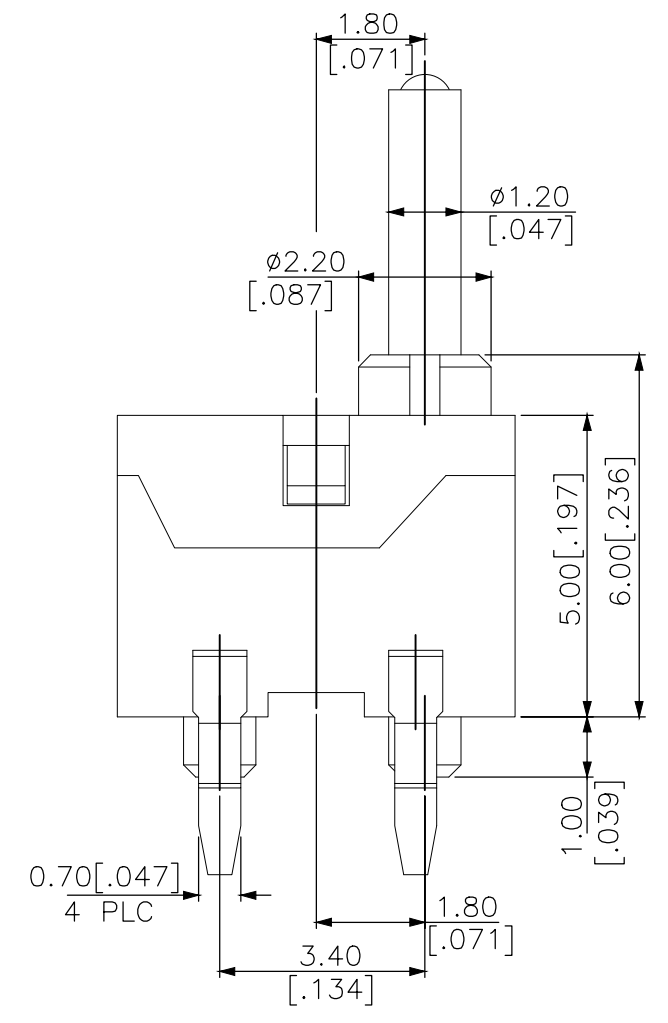
P	LTR	DESCRIPTION	DATE	DWN	APVD
	A	ECR-18-012767	14AUG2018	DHC	AS



2331396-1  
AS SHOWN



P.C.B. LAYOUT



THIS DRAWING IS A CONTROLLED DOCUMENT.		DWN GANESH C M 03MAY2018	TE Connectivity Ltd.		
DIMENSIONS: mm [INCHES]		CHK ALEXANDER SHARPE 03MAY2018			
TOLERANCES UNLESS OTHERWISE SPECIFIED:		APVD ALEXANDER SHARPE 03MAY2018	NAME SWITCH, DETECTOR, JYL SERIES, 6.5X3.9mm, VERTICAL, THROUGH HOLE, POSTS, 10.7mm		
		PRODUCT SPEC	SIZE		
0 PLC ± - 1 PLC ± - 2 PLC ± 0.20 [.008] 3 PLC ± - 4 PLC ± - ANGLES ± -		APPLICATION SPEC	CAGE CODE	DRAWING NO	RESTRICTED TO
MATERIAL		WEIGHT	A3 00779 C-2331396		-
FINISH		CUSTOMER DRAWING		SCALE NTS	SHEET 1 of 2
				REV A	

THIS DRAWING IS UNPUBLISHED.

RELEASED FOR PUBLICATION

© COPYRIGHT - TE Connectivity Ltd.

ALL RIGHTS RESERVED.

REVISIONS

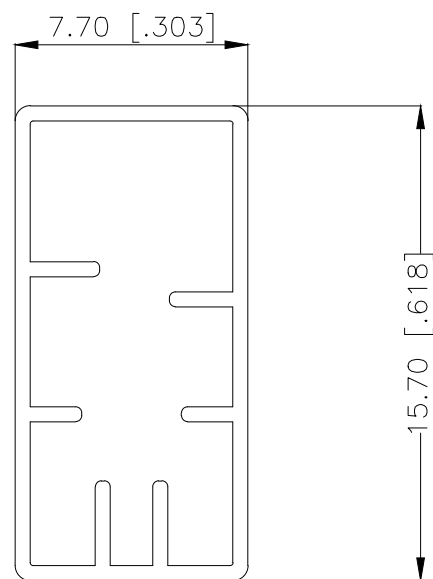
P	LTR	DESCRIPTION	DATE	DWN	APVD
-	-	SEE SHEET 1	-	-	-

NOTES:

1. MATERIALS

ACTUATOR: THERMOPLASTIC, UL 94V-0, BLACK  
 BASE: THERMOPLASTIC, UL 94V-0, BLACK  
 COVER: THERMOPLASTIC, UL 94V-0, BLACK  
 TERMINAL: COPPER ALLOY, SILVER PLATE  
 CONTACT: STAINLESS STEEL, SILVER CLAD

2. PACKAGING: 70 SWITCHES PER TUBE



TUBE LENGTH: 500 [19.68] REF

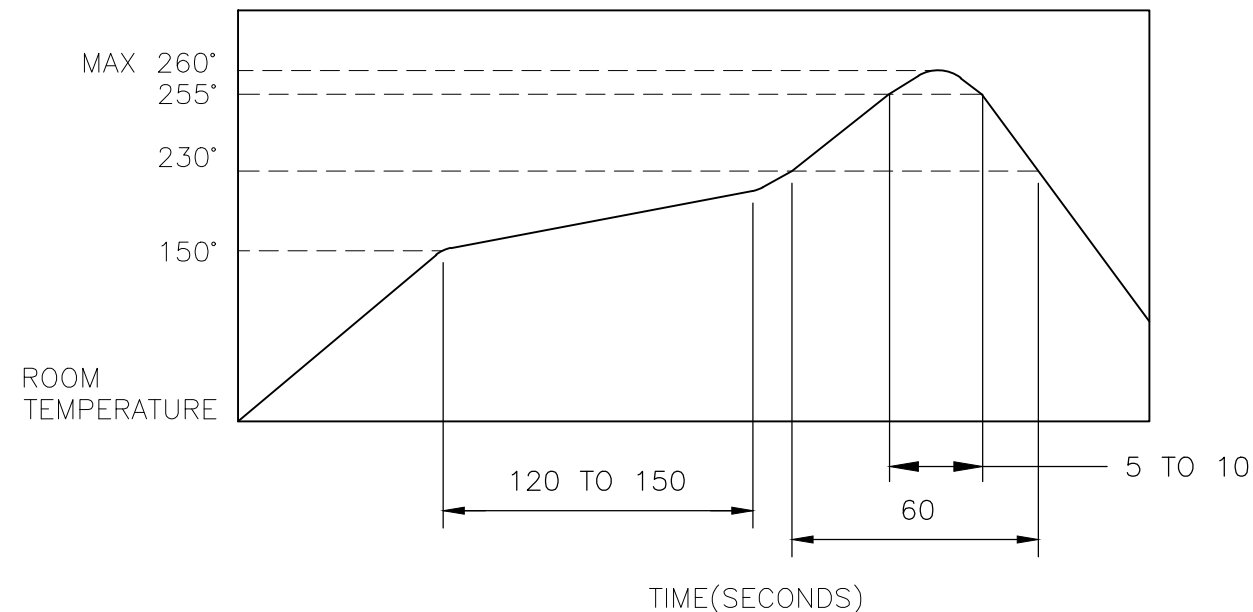
3. COMPLIANCE:

ALL MATERIALS AND FINISHES SHALL COMPLY WITH EU DIRECTIVE 2002/95/EC OF 27JAN2003(RoHS)

4. SPECIFICATIONS:

RATING: 5mA 5V DC  
 CONTACT RESISTANCE: 500mΩ MAXIMUM(INITIAL)  
 INSULATION RESISTANCE: 100MΩ MINIMUM AT 250V DC  
 DIELECTRIC STRENGTH: 250V AC, 1 MINUTE  
 OPERATING LIFE: 50,000 CYCLES WITH LOAD  
 TOTAL TRAVEL: 2.0 [.079]  
 ACTUATION FORCE: 35gf MAXIMUM  
 OPERATING TEMPERATURE: -20°C TO 70° C  
 STORAGE TEMPERATURE: -30°C TO 80° C

5. SOLDER CONDITIONS:



THE CONDITION MENTIONED ABOVE IS THE TEMPERATURE ON THE CU FOIL OF THE PCB SURFACE. THERE ARE CASES WHERE THE BOARD'S TEMPERATURE GREATLY DIFFERS FROM THE SWITCH'S SURFACE. DO NOT TO ALLOW SWITCH'S SURFACE TEMPERATURE TO EXCEED 260°C

MANUAL SOLDERING

SOLDERING TEMPERATURE	MAX.350°C.
CONTINUOUS SOLDERING TIME	MAX. 5 SECONDS.

PRECAUTIONS IN HANDLING

1. CARE SHOULD BE EXERCISED SO THAT FLUX FROM THE UPPER PART OF THE PRINTED CIRCUIT BOARD DOES NOT ADHERE TO THE SWITCH.

JJLVOUT1070NOPRTB	2331396-1
SMART PART NUMBER	PART NUMBER

THIS DRAWING IS A CONTROLLED DOCUMENT.		DWN	03MAY2018	TE Connectivity Ltd.	
		CHK	03MAY2018		
		APVD	03MAY2018		
		NAME	ALEXANDER SHARPE		
DIMENSIONS:	TOLERANCES UNLESS OTHERWISE SPECIFIED:	PRODUCT SPEC		SWITCH, DETECTOR, JJL SERIES, 6.5X3.9mm, VERTICAL, THROUGH HOLE, POSTS, 10.7mm	
mm [INCHES]		APPLICATION SPEC		SIZE	CAGE CODE
	0 PLC ± -			A3	00779
	1 PLC ± -			DRAWING NO	C-2331396
	2 PLC ± 0.20 [.008]			RESTRICTED TO	-
	3 PLC ± -			CUSTOMER DRAWING	SCALE NTS
	4 PLC ± -				SHEET 2 OF 2
	ANGLES ± -				REV A
MATERIAL	FINISH	WEIGHT			
-	-				