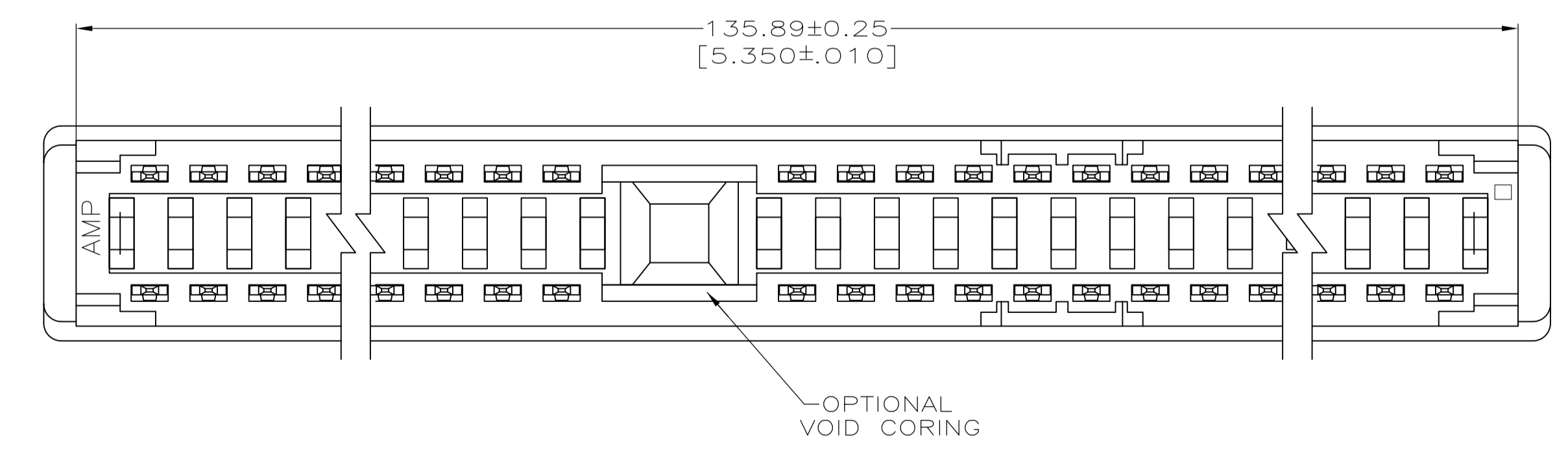
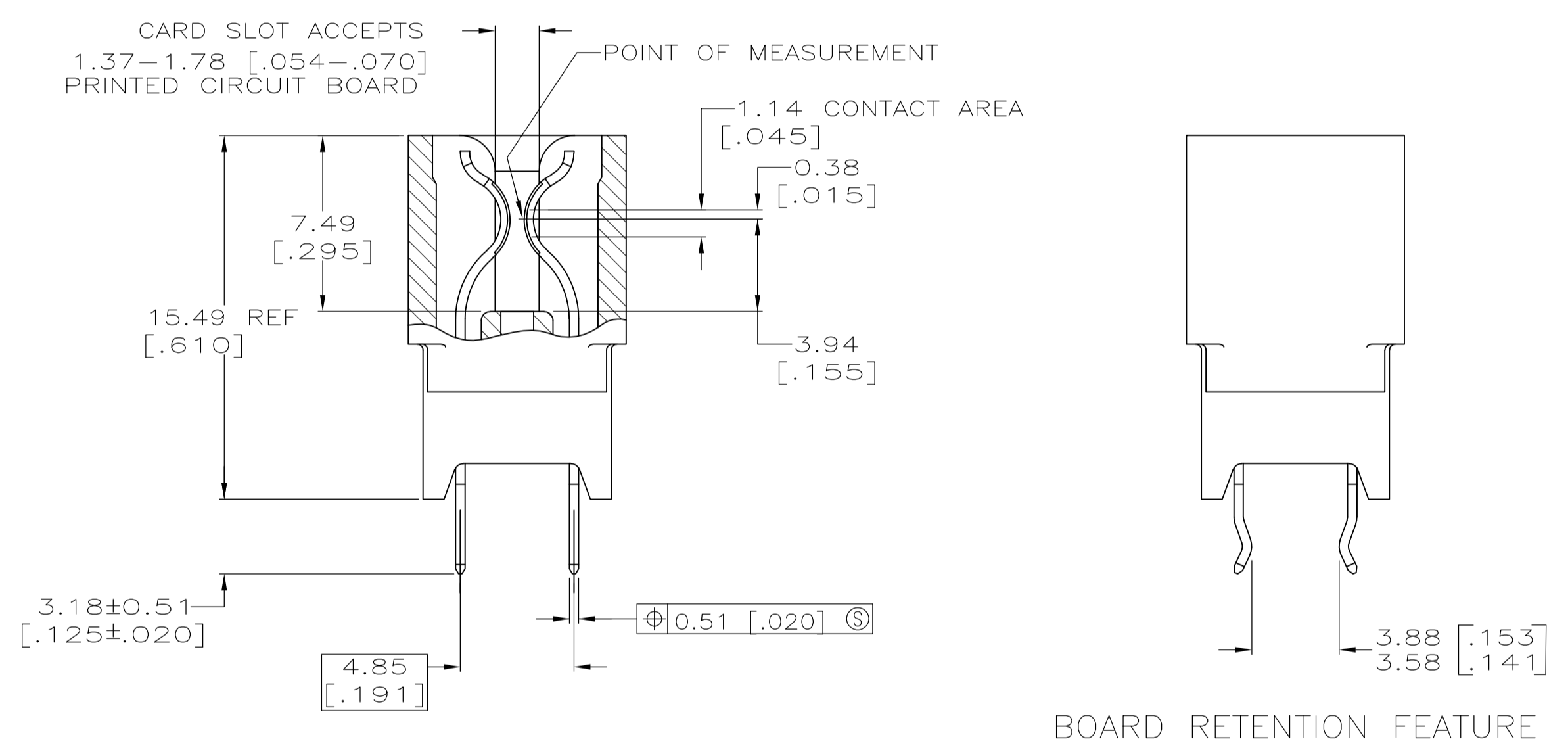
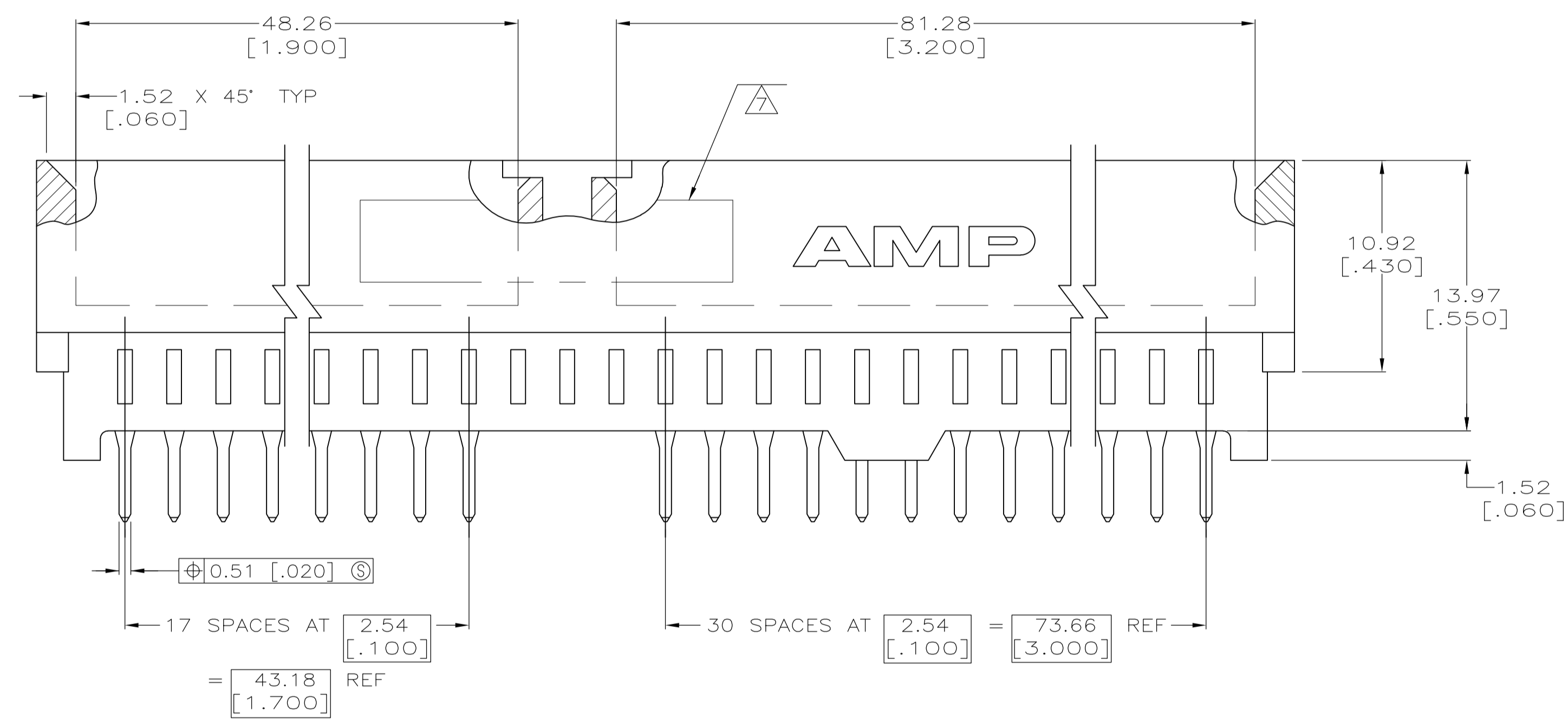
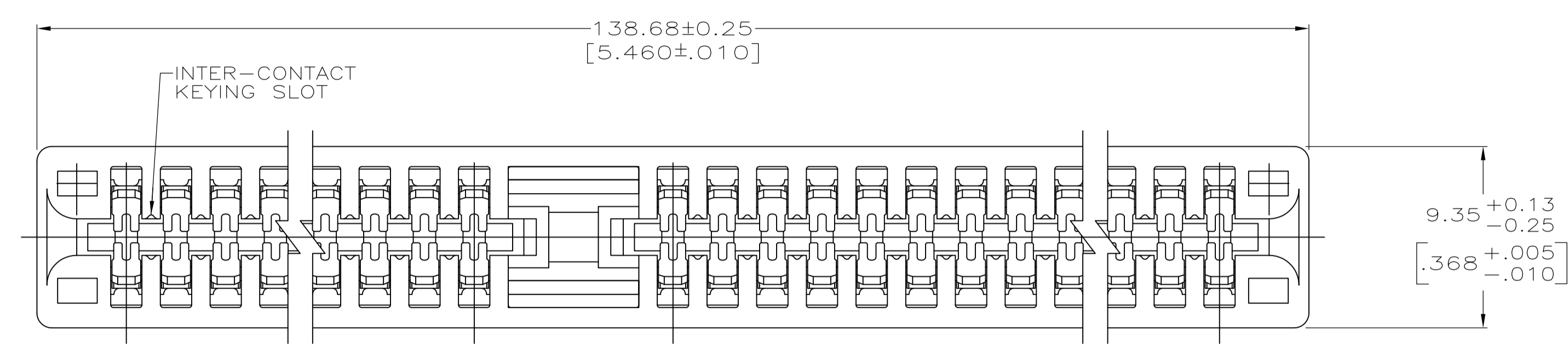


- 1 HOUSING: GLASS FILLED POLYESTER; COLOR: BLACK.
- 2 CONTACT: PHOSPHOR BRONZE.
- 3 NICKEL PLATE: 0.00127 [.000050] MIN - ALL OVER.
- 4 MATTE TIN PLATE: 0.00254 [.000100] MIN-SOLDER POSTS.
- 5 GOLD PLATE: 0.00076 [.000030] MIN - CONTACT AREA.
- 6 NICKEL PLATE PER MIL-G-45204. GOLD PLATE PER QQ-N-290.
- 7 AMP PART NUMBER, DATE CODE AND CSA LOGO ARE MARKED IN APPROXIMATE AREA SHOWN, EITHER SIDE.
- 8. RECOMMENDED PCB FINISHED HOLE DIA: 1.02±0.08 [.040±.003].
- 9. THE RETENTIVE FEATURE OF THIS CONNECTOR IS DESIGNED FOR FULL SEATING IN .062±0.008 THICK CIRCUIT BOARDS. FOR APPLICATIONS IN BOARDS OF OTHER THICKNESSES CONTACT AMP INCORPORATED.
- 10 PACKAGED 20 CONNECTORS PER TUBE.
- 11 PACKAGED 72 CONNECTORS PER EPS TRAY.
- 12 GOLD PLATE: 0.00038 [.000015] MIN - CONTACT AREA.
- 13 PACKAGED IN SLIDE PACK.
- 14 PACKAGE 57 CONNECTORS IN TUBES.
- 15 DATUMS AND BASIC DIMENSIONS TO BE DETERMINED BY CUSTOMER.



NOTE 5	NOTE 11	5,6,31,32,41,42,93,94	49	5645169-4
NOTE 5	NOTE 11	-	49	5645169-3
NOTE 5	NOTE 11	5,6,31,32,41,42,93,94	49	5645169-2
PLATING	PACKAGE	BOARD RETENTION LOCATION	NO OF POSN	PART NUMBER

THIS DRAWING IS A CONTROLLED DOCUMENT.

DIMENSIONS: mm	TOLERANCES UNLESS OTHERWISE SPECIFIED:	0 PLC ± -	1 PLC ± -	2 PLC ± 0.13 [.005]	3 PLC ± -	4 PLC ± -	ANGLES ± °
MATERIAL		FINISH		WEIGHT		CUSTOMER DRAWING	

AL FRANTUM 14 JUN 05
AL FRANTUM 14 JUN 05

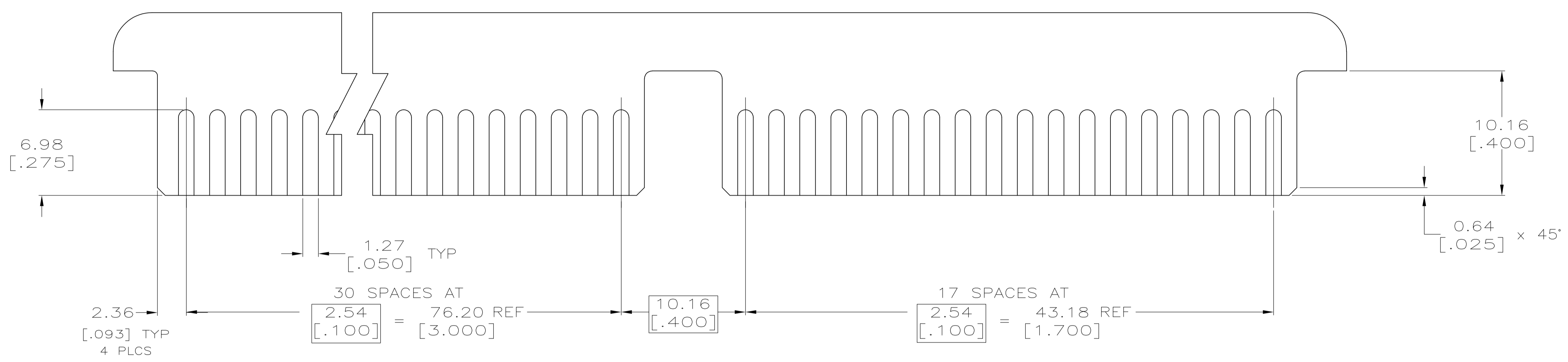
NAME: CONNECTOR ASSEMBLY, STANDARD EDGE II, 2.54 [.100]

PRODUCT SPEC: 108-9039
APPLICATION SPEC

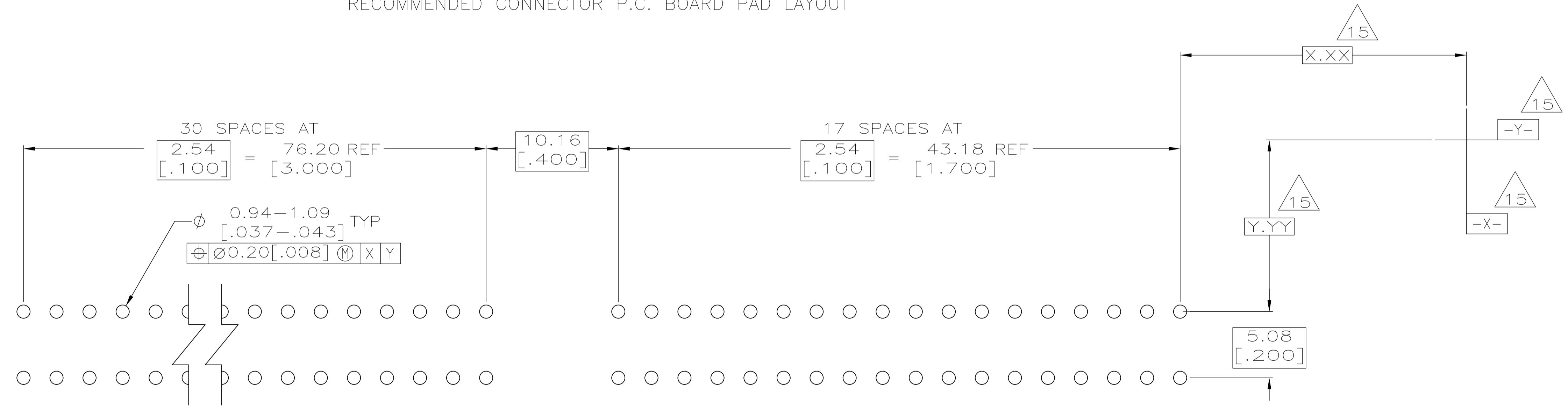
SIZE: A1 00779
CAGE CODE: 5645169
DRAWING NO: 5645169

RESTRICTED TO: -

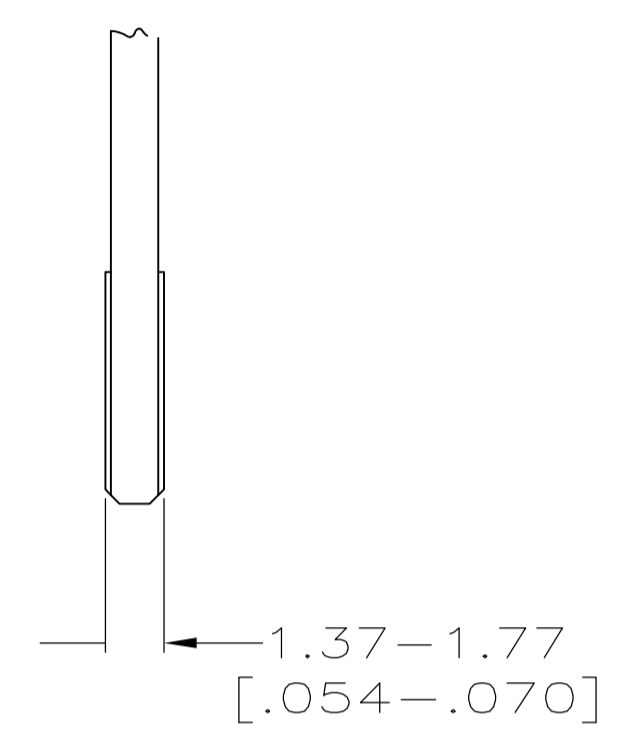
SCALE: 5:1 SHEET: 1 OF 2 REV: A1



RECOMMENDED CONNECTOR P.C. BOARD PAD LAYOUT



RECOMMENDED CONNECTOR P.C. BOARD HOLE PATTERN



THIS DRAWING IS A CONTROLLED DOCUMENT.		DN: AL FRANTUM 14 JUN 05	TE Connectivity
		CHK: AL FRANTUM 14 JUN 05	
DIMENSIONS:	TOLERANCES UNLESS OTHERWISE SPECIFIED:	APVD:	NAME:
mm	0. PLC ± -	PRODUCT SPEC:	CONNECTOR ASSEMBLY, STANDARD EDGE II, 2.54 [.100]
	1. PLC ± -	APPLICATION SPEC:	108-9039
	2. PLC ± 0.13 [.005]		
	3. PLC ± -	SIZE:	A1
	4. PLC ± -	CAGE CODE:	00779
	ANGLES ± -	DRAWING NO:	5645169
MATERIAL:	FINISH:	WEIGHT:	RESTRICTED TO:
SEE SHEET 1	SEE SHEET 1		
CUSTOMER DRAWING		SCALE: 5:1	SHEET 2 OF 2 REV A1