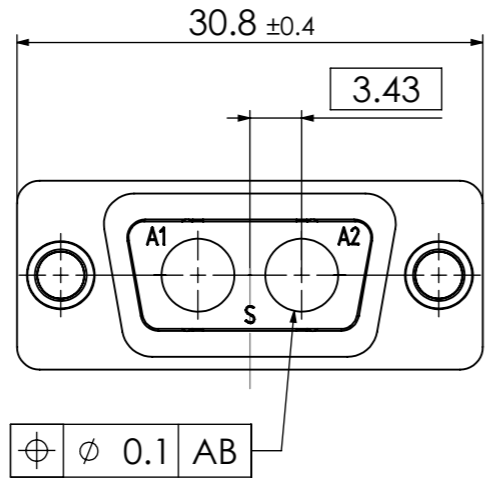
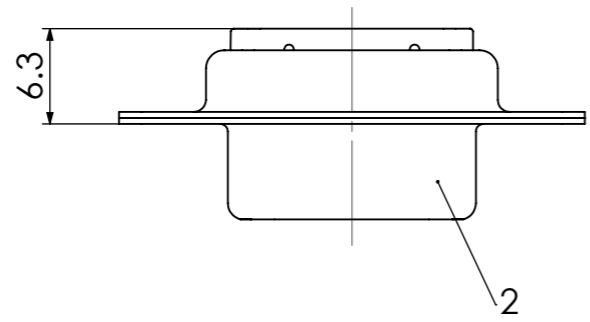
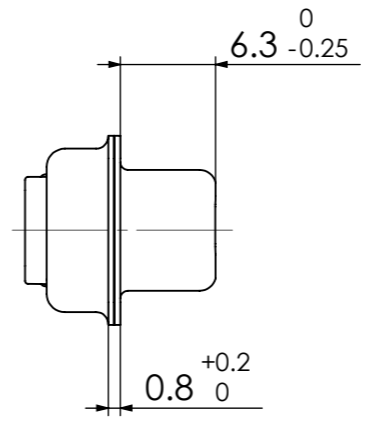
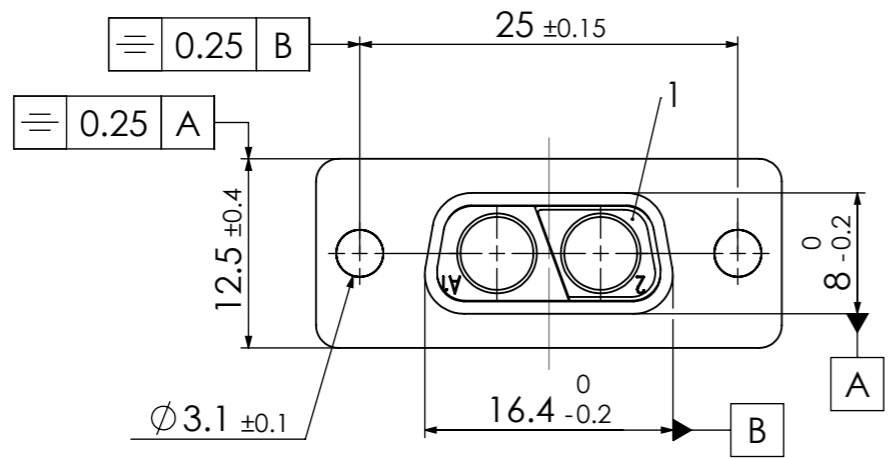


COMMENT: ALL RIGHTS ARE RESERVED BY US FOR THIS DRAWING. WITHOUT OUR PRIOR CONSENT, IT MAY NEITHER BE DUPLICATED NOR MADE AVAILABLE TO A THIRD PARTY. AND IT ALSO MAY NOT BE IMPROPERLY USED BY THE RECEIVER, OR A THIRD PARTY.



RoHS compliant

No.	St.	Part	Type Description/Material	Surface plating/Colour/Class
2	1	Shell	Steel	tin plated
1	1	Insulator	PBT (-55°C - +130°C)	black

				SCALE 2:1	TITLE D-Sub Mixed-Layout Connector	
						NAME / DATE DRAWN Denzinger 29-10-2002 CHECKED floßmann 29-10-2002
					DWG.NO. F2W2SC-K121	REV. 1
1	REV.	DATE			CH.-NO.	ORIGINAL: DIN A3-DRAWING AS A FILE REPLACEMENT FOR: