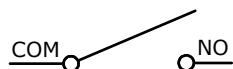
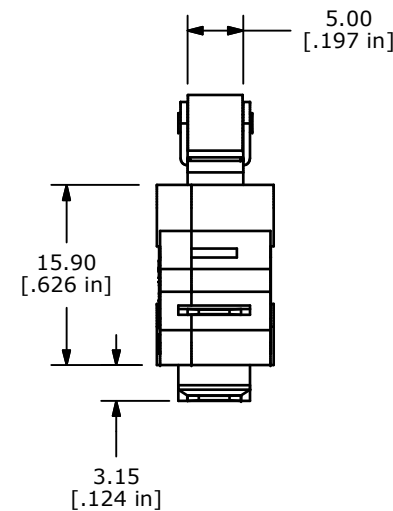
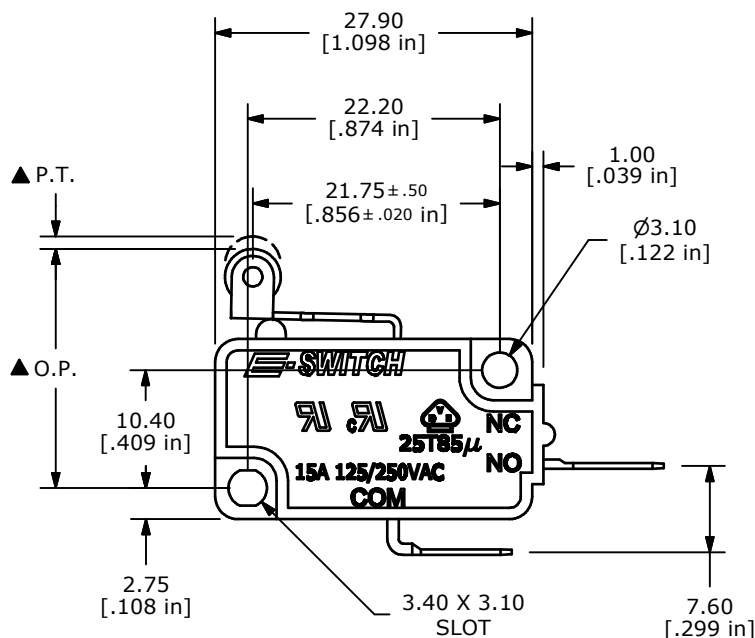


O.P. (MM)	P.T. (MM)
20.7 ± 0.8	1.1 MAX.


O.P. = OPERATING POINT
P.T. = PRE-TRAVEL



CIRCUIT: SPST
NORMALLY OPENED



- NOTES:
1. ALL DIMENSIONS IN MM [INCH]
 2. GENERAL TOLERANCE: X.X ± 0.4
X.XX ± 0.25
 3. RATING: 15A @125/250VAC UL, CUL, VDE APPROVED
 4. OPERATING FORCE: 250 ± 50 GRAMS
 5. OPERATING TEMP: -25°C TO 85°C
 6. ELECTRICAL LIFE: 50,000 CYCLES MIN.
 7. MECHANICAL LIFE: 1,000,000 CYCLES TYP.
 8. INSULATION RESISTANCE: 100 MEGA-OHMS MIN.
 9. DIELECTRIC STRENGTH: 1500VAC 1 MINUTE (INITIAL VALUE)
 10. CONTACT RESISTANCE: 100 MILLI -OHMS MAX.
 11. ▲ DENOTES CRITICAL PARAMETER.
 12. 2002/95/EC (ROHS) COMPLIANT


E-SWITCH®

TITLE LS0851505F250C1C				
SCALE	DATE	DR	DWG	REV
NONE	5/29/2012	drg	Q950063	B

B	21023	CORRECT TERMINAL WIDTH	2/12/13	EBP
A	20612	INITIAL RELEASE	05/23/12	drg
REV	PCR NO	DESCRIPTION	DATE	BY
THE INFORMATION CONTAINED IN THIS DOCUMENT IS PROPRIETARY TO E-SWITCH AND IS NOT TO BE COPIED OR TRANSFERRED				