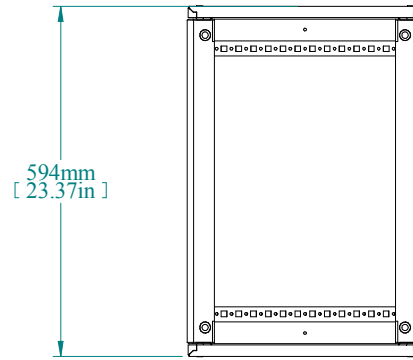
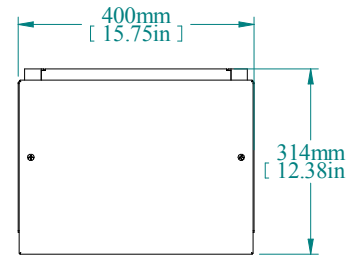


ISOMETRIC VIEW



594mm  
[ 23.37in ]

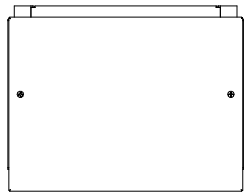
TOP VIEW



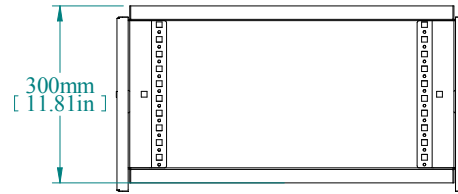
400mm  
[ 15.75in ]

314mm  
[ 12.38in ]

FRONT VIEW



REAR VIEW



300mm  
[ 11.81in ]

L.S VIEW

PART NUMBERS	
HTCM346	PAINTED TEXTURED GRAY RAL 7035

NOTES
Top Module consists of frame with removable front and rear panels See Hammond Website for Additional Accessories.

Data subject to change without notice. Isometric drawing not to scale.



**HAMMOND  
MANUFACTURING™**  
www.hammondmfg.com  
PART NO. HTCM346