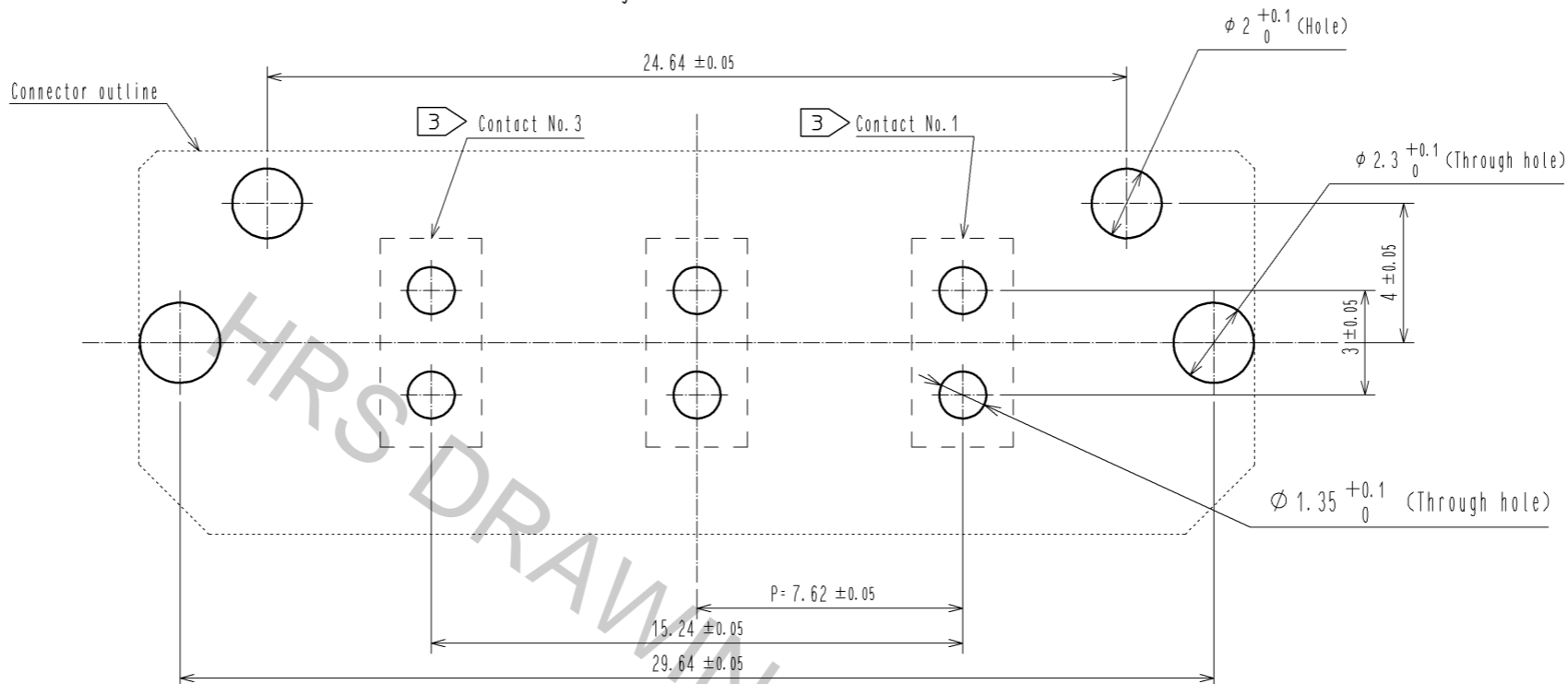


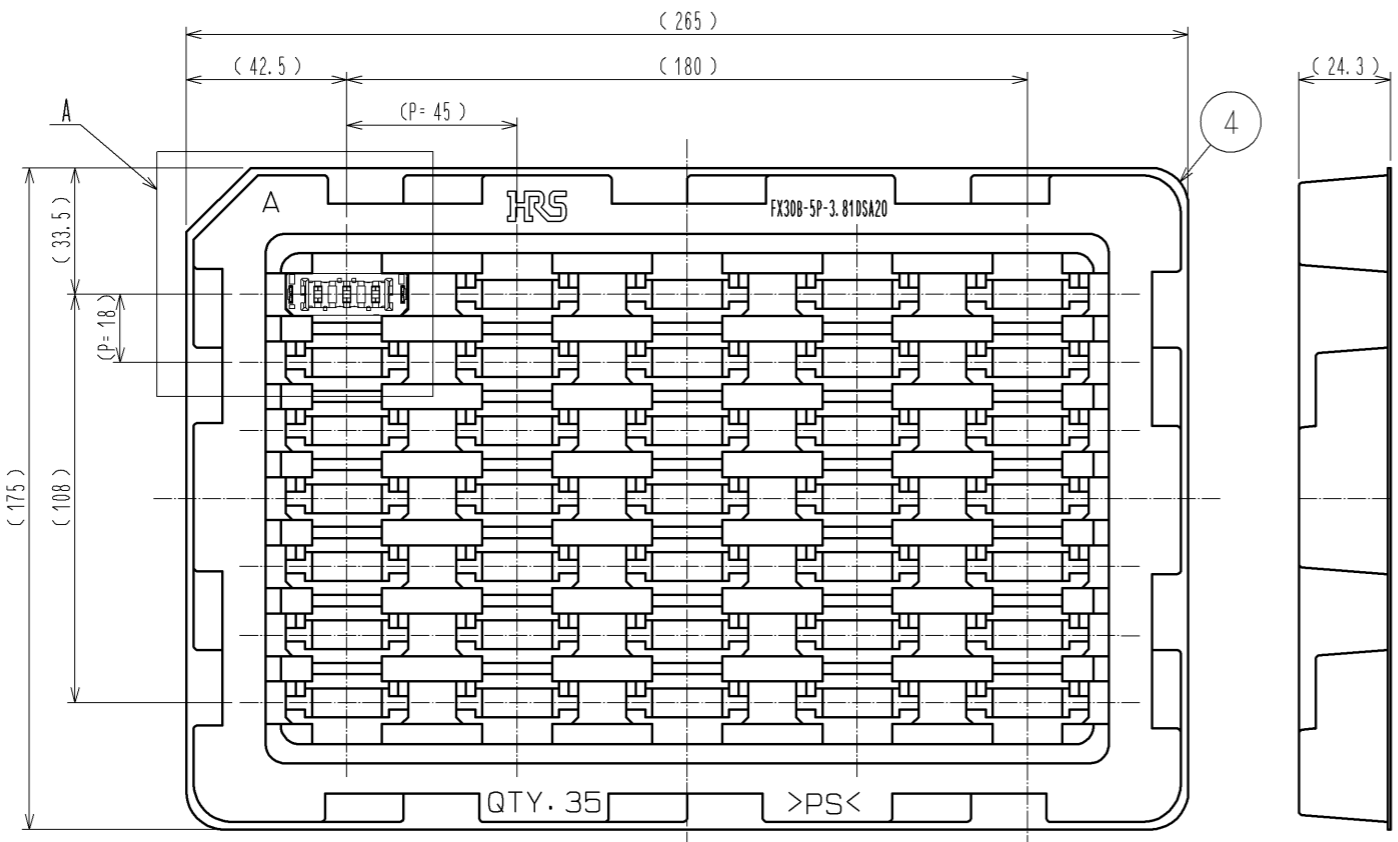
- NOTE
- 1 This product is packaged in tray. (35pcs/tray)
 - 2 Blemish and hit mark can be occurred through out the manufacturing process which doesn't affect quality level. Also, black spot could be observed on the surface of housing.
 - 3 For the contact NO., adjacent two pairs of leads placed back-to-back (4 leads in total) Compose one line.
 - 4 Misalignment absorbing range: ± 0.3 mm max.
 - 5 The dimension in parentheses are for references.
 - 6 Lot NO. is indicated at either one of the position as shown.

2	Copper alloy	Contact area:Gold-plating $0.1 \mu\text{m}$	4	Polystyrene	
		Lead area: Tin-plating $1.0 \mu\text{m}$			
		Under plating: Nickel $1.0 \mu\text{m}$	3	Phosphor bronze	Tin-plating $3.0 \mu\text{m}$
1	Polyamide	Black UL94V-0			Under plating: Nickel $1.0 \mu\text{m}$
NO.	MATERIAL	FINISH . REMARKS	NO.	MATERIAL	FINISH . REMARKS
UNITS		SCALE	COUNT	DESCRIPTION OF REVISIONS	
mm		2 : 1		DESIGNED	CHECKED
HRS HIROSE ELECTRIC CO., LTD.		APPROVED : HS. OKAWA	14.09.12	DRAWING NO. EDC3-359157-00	
		CHECED : KN. SHIBUYA	14.09.12	PART NO. FX30B-3P-7.62DSA20	
		DESIGNED : DK. AIMOTO	14.09.12	CODE NO. CL570-3105-7-00	
		DRAWN : DK. AIMOTO	14.09.12	1/2	

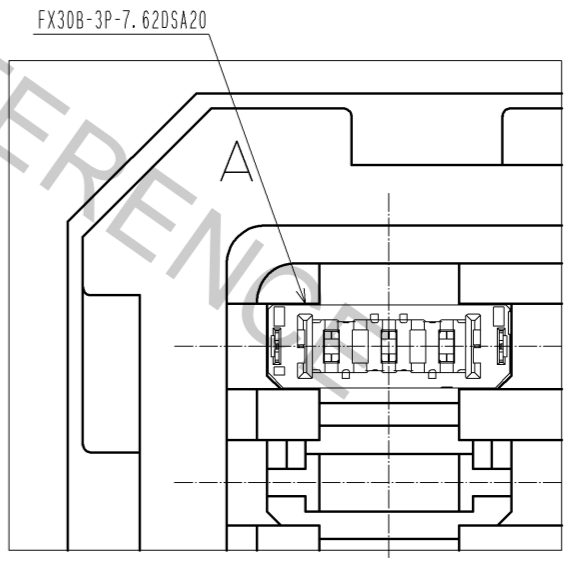
Recommended hole pattern dimension of PCB(5:1)
(Connector mounting side, PCB thickness:t=1.6mm)



1 Drawing for packaging(1:2)



A(1:1)



HRS	DRAWING NO.	EDC3-359157-00	
	PART NO.	FX30B-3P-7.62DSA20	
	CODE NO.	CL570-3105-7-00	