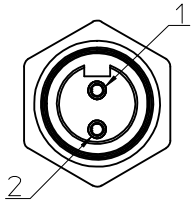
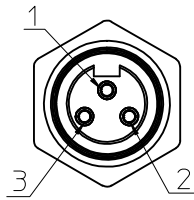


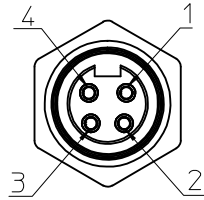
# FACE VIEW - FEMALE INSERT SCALE 2 : 1



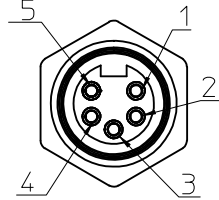
1 WHITE  
2 BLACK



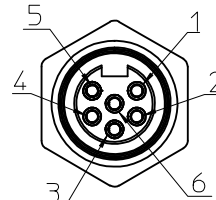
1 GREEN/YELLOW  
2 BLACK  
3 WHITE



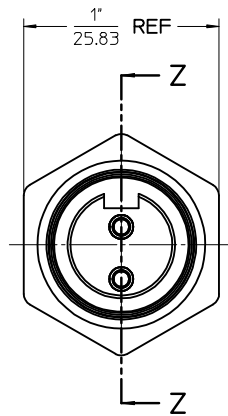
1 BLACK  
2 WHITE  
3 RED  
4 GREEN/YELLOW



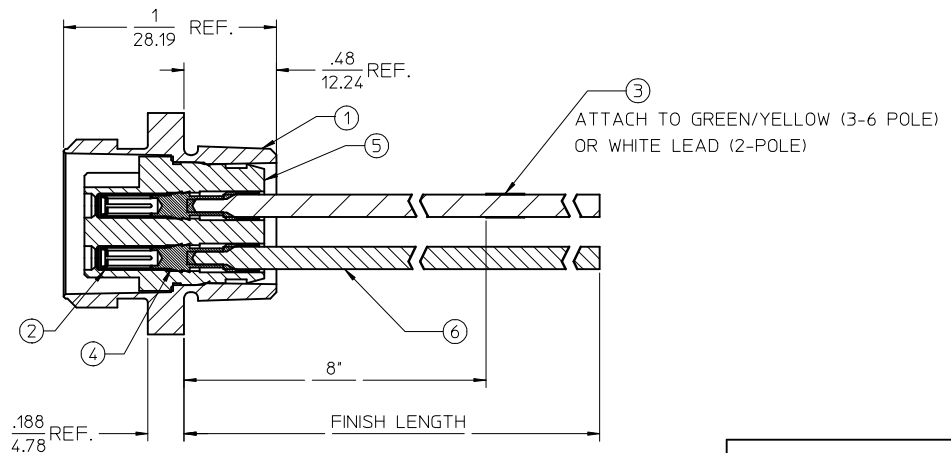
1 WHITE  
2 RED  
3 GREEN/YELLOW  
4 ORANGE  
5 BLACK



1 WHITE  
2 RED  
3 GREEN/YELLOW  
4 ORANGE  
5 BLACK  
6 BLUE



FEMALE INSERT - FRONT VIEW



FINAL ASSEMBLY  
1300130060 (SHOWN)

<b>ENTER DESCRIPTION</b> EC NO: MNA2010-0057 DRAWN BY: NKUMAR01 2009/07/13 CHKD: JFMURPHY APPR: JFMURPHY 2009/08/10 REV: A	<b>DESCRIPTION</b> DESCRIPTION	<b>QUALITY SYMBOLS</b> ▽=0 ▽=0	GENERAL TOLERANCES (UNLESS SPECIFIED)		DIMENSION STYLE <b>SECTION Z-Z</b>	SCALE 2:1	DESIGN UNITS INCH	THIRD ANGLE PROJECTION
			mm      INCH	DRAWN BY NKUMAR01	DATE 31/07/09	TITLE <b>MC 2P FR 12IN 16/1 PVC</b>		
			4 PLACES ± --- ± --- 3 PLACES ± --- ± --- 2 PLACES ± --- ± --- 1 PLACE ± --- ± ---	CHECKED BY BWOODMAN	DATE 31/07/09	APPROVED BY JFMURPHY		
			ANGULAR ±1/2°	APPROVED BY JFMURPHY	DATE 31/07/09	MATERIAL NO. SD-130013-060		
DRAFT WHERE APPLICABLE MUST REMAIN WITHIN DIMENSIONS			SEE SHEET 2		DOCUMENT NO. SD-130013-060			SHEET NO. 1 OF 2
THIS DRAWING CONTAINS INFORMATION THAT IS PROPRIETARY TO MOLEX INCORPORATED AND SHOULD NOT BE USED WITHOUT WRITTEN PERMISSION								

FEMALE RECEPTACLE ASSEMBLY

2 POLE	3 POLE	4 POLE	5 POLE	6 POLE
--------	--------	--------	--------	--------

Sl. No.	DESCRIPTION	MATERIAL	FINISH	QUANTITY				
1	RECEPTACLE SHELL	ZINC DIECAST	BLACK E-COAT	1	1	1	1	1
2	SOCKET SLEEVE - TUBE	STAINLESS STEEL	PASSIVATED	2	3	4	5	6
3	LABEL	PLASTIC FILM	BLACK/YELLOW	1	1	1	1	1
4	SOCKET CONTACT 16AWG	COPPER ALLOY	GOLD PLATED	2	3	4	5	6
5	2P FEM INSERT PVC A-SIZE	PVC	YELLOW	1				
	3P FEM INSERT PVC A-SIZE	PVC	YELLOW		1			
	4P FEM INSERT PVC A-SIZE	PVC	YELLOW			1		
	5P FEM INSERT PVC A-SIZE	PVC	YELLOW				1	
6	#16-1 BLK PVC WIRE UL1015	PVC JACKET	BLACK	1	1	1	1	1
	#16-1 BLU PVC WIRE UL1015	PVC JACKET	BLUE					1
	#16-1 GRN/YEL PVC WIRE UL1015	PVC JACKET	GREEN/YELLOW		1	1	1	1
	#16-1 ORN PVC WIRE UL1015	PVC JACKET	ORANGE				1	1
	#16-1 RED PVC WIRE UL1015	PVC JACKET	RED			1	1	1
	#16-1 WHT PVC WIRE UL1015	PVC JACKET	WHITE		1	1	1	1

POLE COUNT	MAX. VOLTAGE RATING	MAX. CURRENT RATING
2 POLE	600 VOLTS	13 AMPS
3 POLE	600 VOLTS	13 AMPS
4 POLE	600 VOLTS	10 AMPS
5 POLE	600 VOLTS	8 AMPS
6 POLE	600 VOLTS	8 AMPS

PART NUMBER	DESCRIPTION	FINISHED LENGTH
1300130060	1R2004A20A120	12.0" +.75" -0 [0.3M +19.1MM -0]
1300130067	1R2004A20F060	6.0' +2.19' -0 [1.8M +55.6MM -0]
1300130135	1R3004A20A120	12.0" +.75" -0 [0.3M +19.1MM -0]
1300130148	1R3004A20F060	6.0' +2.19' -0 [1.8M +55.6MM -0]
1300130314	1R4004A20A120	12.0" +.75" -0 [0.3M +19.1MM -0]
1300130325	1R4004A20F060	6.0' +2.19' -0 [1.8M +55.6MM -0]
1300130442	1R5004A20A120	12.0" +.75" -0 [0.3M +19.1MM -0]
1300130452	1R5004A20F060	6.0' +2.19' -0 [1.8M +55.6MM -0]
1300130567	1R6004A20A120	12.0" +.75" -0 [0.3M +19.1MM -0]
1300130576	1R6004A20F060	6.0' +2.19' -0 [1.8M +55.6MM -0]

ENTER DESCRIPTION EC NO: MNA2010-0057 DRAWN BY: DRWINAKUMAR01 2009/07/31 CHKD: APPR: JFMURPHY 2009/08/10 REV: A	QUALITY SYMBOLS 	GENERAL TOLERANCES (UNLESS SPECIFIED)	DIMENSION STYLE <b>IN/MM</b>	SCALE <b>2:1</b>	DESIGN UNITS <b>INCH</b>	THIRD ANGLE PROJECTION 	
		4 PLACES ± --- ± --- 3 PLACES ± --- ± --- 2 PLACES ± --- ± --- 1 PLACE ± --- ± ---	DRAWN BY: NKUMAR01 DATE: 31/07/09 CHECKED BY: BWOODMAN DATE: 31/07/09 APPROVED BY: JFMURPHY DATE: 31/07/09	MC 2P FR 12IN 16/1 PVC			
		ANGULAR ±1/2°		MATERIAL NO. <b>SEE CHART</b> DOCUMENT NO. <b>SD-130013-060</b>			SHEET NO. 2 OF 2
		DRAFT WHERE APPLICABLE MUST REMAIN WITHIN DIMENSIONS		THIS DRAWING CONTAINS INFORMATION THAT IS PROPRIETARY TO MOLEX INCORPORATED AND SHOULD NOT BE USED WITHOUT WRITTEN PERMISSION			

6

5

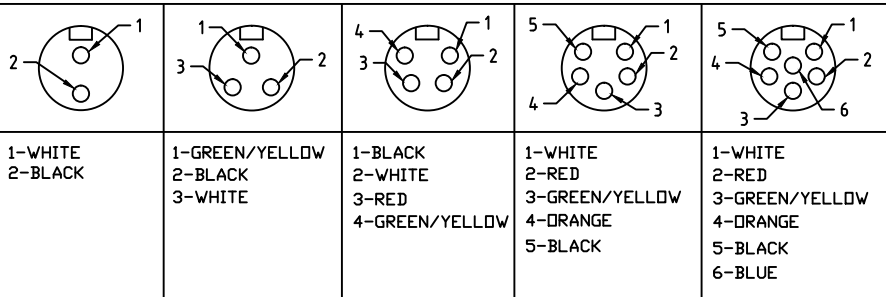
4

3

2

1

## FACE VIEW-FEMALE INSERT



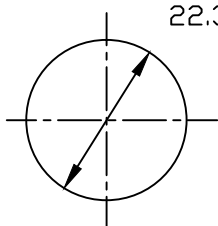
## NOTES:

- MATERIAL: SEE TABLE
- FINISH: SEE TABLE
- ELECTRICAL:  
VOLTAGE: 2P THRU 6P 600V PER UL 2238  
3P 400V PER IEC60664  
4,5 & 6P 320V PER IEC60664

CURRENT: 2P & 3P: 13A  
4P: 10A  
5P & 6P: 8A

- TEMP RATING: -20°TO +105°C
- PROTECTION: IP67 (WHEN MATED)
- ALL DIMS ARE FOR REFERENCE  
UNLESS NOTED OTHERWISE

Ø.88  
22.3



REF. KNOCKOUT HOLE

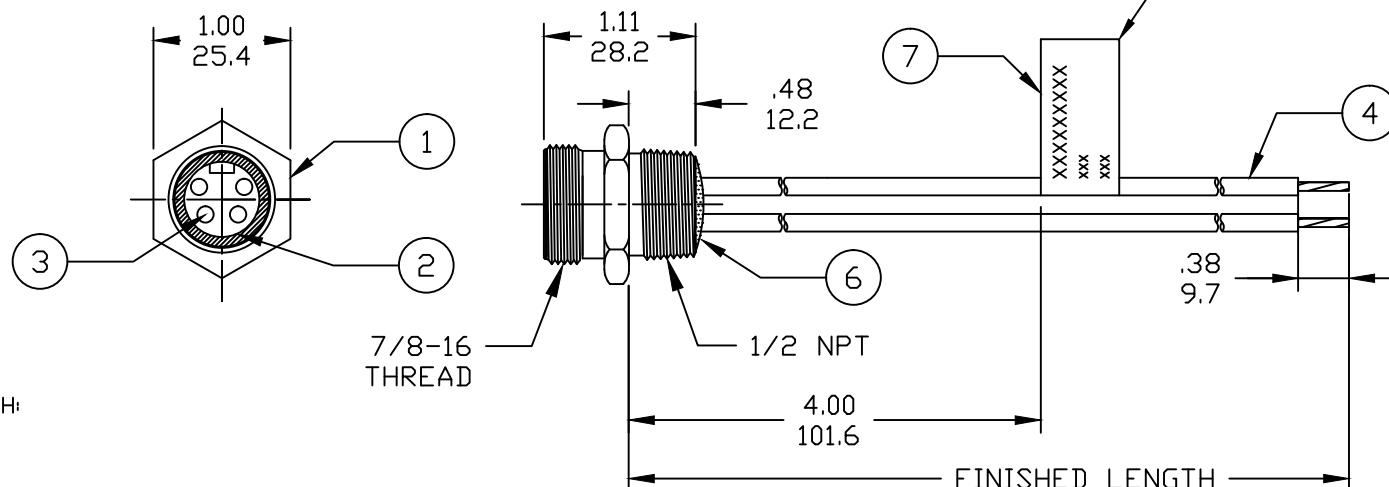
## PART NUMBER LEGEND

1R3004A20F020

↑ POLES  
2-6

↑ FINISHED LENGTH:  
A120= 12 IN.  
F020= 2 FEET  
F100= 10 FEET

M005= 0.5 METER  
M010= 1 METER  
M100= 10 METER



## TABLE

ITEM	DESCRIPTION	MATERIAL	FINISH
6	FLAG LABEL	VINYL	BLACK/YELLOW
5	POTTING MATERIAL	EPDXY	
4	WIRE, 16 AWG UL (1015)	PVC INSULATION	SEE CHART
3	CONTACT SOCKET	COPPER ALLOY	GOLD PLATED
2	FEMALE INSERT	PVC	YELLOW
1	RECEPTACLE SHELL	ZINC DIE-CAST	BLACK

REVID NOTES: REMOVE SPAN, AD PIN LEG	EC NO: IFC2017-0559	DRWN: RSTONE 2016/12/05	CHKD: M ZIELIN 2016/12/12	APPR: BWOODMAN
REV	A	DESCRIPTION		

QUALITY SYMBOLS	▽=0	▽C=0
-----------------	-----	------

## GENERAL TOLERANCES (UNLESS SPECIFIED)

	mm	INCH
4 PLACES	±---	±---
3 PLACES	±---	±---
2 PLACES	±---	±---
1 PLACE	±---	±---

ANGULAR ±1/2°

DRAFT WHERE APPLICABLE  
MUST REMAIN  
WITHIN DIMENSIONSDIMENSION STYLE  
INCH/MM

DRAWN BY	DATE
RSTONE	2016/12/05
CHECKED BY	DATE
M ZIELIN	2016/12/12
APPROVED BY	DATE
---	---

MATERIAL NO. --

SIZE  
A

THIS DRAWING CONTAINS INFORMATION THAT IS PROPRIETARY TO MOLEX INCORPORATED AND SHOULD NOT BE USED WITHOUT WRITTEN PERMISSION

SCALE  
---DESIGN UNITS  
INCHTHIRD ANGLE  
PROJECTION

TITLE  
MINI-CHANGE RECEPTACLE  
2-6P FEMALE  
#16-1 PVC WIRES

MOLEX  
MOLEX INCORPORATED

DOCUMENT NO. SD-130013-121

SHEET NO.  
1 OF 1

6

5

4

3

2

1