

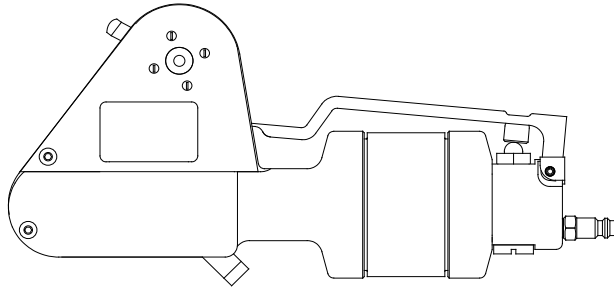


ASTRO TOOL CORP.

CONNECTOR ASSEMBLY TOOLING

CYCLE CONTROLLED MANUAL FEED PNEUMATIC CRIMPING TOOL

Catalog Number 10623



I. GENERAL

The ASTRO TOOL CORP. 10623 MANUAL FEED PNEUMATIC CRIMPING TOOL is a fast, versatile, pneumatically operated, four indenter tool for crimping splice caps.

A minimum of 80 P.S.I. is required to operate the 10623 PNEUMATIC MANUAL FEED CRIMPING TOOL. The recommended operating range is 80-100 P.S.I.. An air regulator, filter and lubricator should be used for long life and proper operation of the tool. The tool is portable, but can be used bench mounted, or suspended.

This is a FULL CYCLE TOOL; once the cycle has been started, the trigger will not release until the cycle is completed.

II. OPERATION

The 10623 tool is pre-set at the factory to crimp the following Buchanan connectors: # 2006, 2006S, 2008S, 2011, 2011S splice caps; and Termend lugs.

• To crimp #2006, 2006S, 2008S splice caps and Termend lugs, the following settings are to be made:

1. The Slide is to be pushed all the way in. See figure #1.

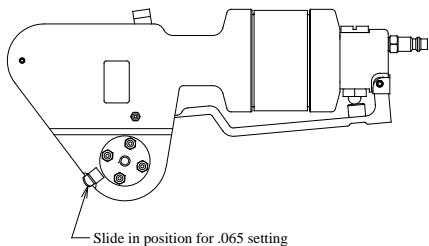


Figure #1

2. The Latch is to be in the up position. See figure #2.

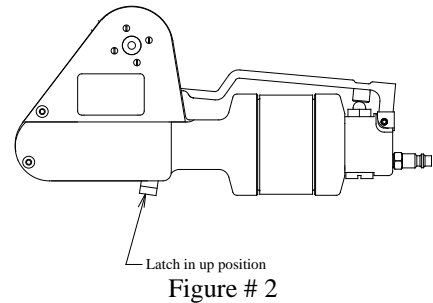


Figure # 2

Note: The latch position may only be changed when air pressure is connected and the trigger is actuated.

3. These settings will result in an indenter opening of .065.

• To crimp #2011 and 2011S splice caps, the following settings are to be made:

1. The Slide is to be pulled out. See figure # 3

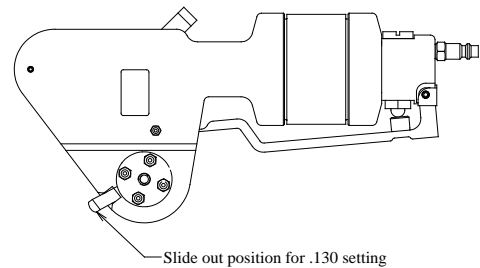


Figure # 3

2. The Latch is to be in the down position. See figure # 4.

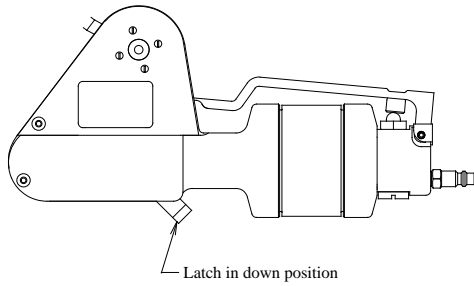


Figure #4

Note: The latch position may only be changed when air pressure is connected and the trigger is actuated.

3. These settings will result in an indenter opening of .130.

CRIMP DEPTH ADJUSTMENT.

1. Remove left-hand cover and loosen jam nut and stop plate. See figure # 5.

WARNING

CAUTION IS TO BE EXERCISED WHEN OPERATING THIS TOOL WITH THE COVER REMOVED.

2. Connect air supply inlet of tool to 80-100 P.S.I. filtered, regulated and lubricated air source.
3. Depress and hold down trigger. Set the latch to the appropriate position for gaging required.
4. Select a gage pin of the proper diameter and insert it in the indenter opening. Use a .065 diameter for # 2006, 2006S, 2008S splice caps, and Termend lugs. Use a .130 diameter pin for 2011 and 2011S splice caps.

**CAUTION:
BE SURE THAT THE GAGE PIN IS IN
THE INDENTER OPENING AND NOT
BETWEEN THE INDENTERS.**

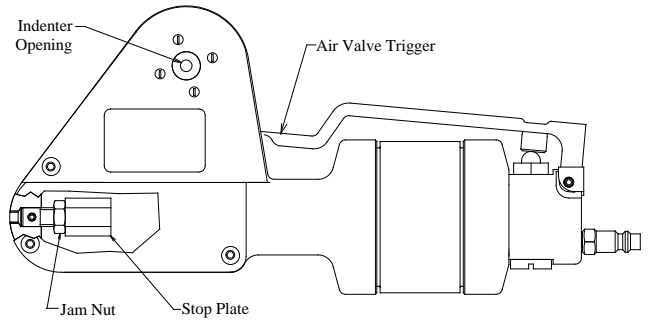


Figure # 5
Jam Nut and Stop Plate
Shown on Typical Tool

5. The gage pin must slide smoothly into the indenter opening. There should be no play or sloppiness in the fit.

**CAUTION:
DO NOT CRIMP GAGE PIN.**

6. Release the trigger and re-adjust the stop plate as necessary to obtain the required indenter opening.
7. After desired indenter opening is achieved, lock the stop plate in position with the jam nut.
8. After locking down the stop plate, verify the gage setting by cycling the tool and checking the gaging with the gage pin. Re-adjust if required.
9. Replace the left hand cover to original position after calibration is completed.

**ASTRO TOOL CORP. MANUFACTURERS OF INSERTION, REMOVAL,
CRIMP TOOLS AND CONNECTOR SERVICE KITS**

ASTRO TOOL CORPORATION • 21615 S.W. T-V HWY. • BEAVERTON, OREGON 97003
503-642-9853 • FAX 503-591-7766