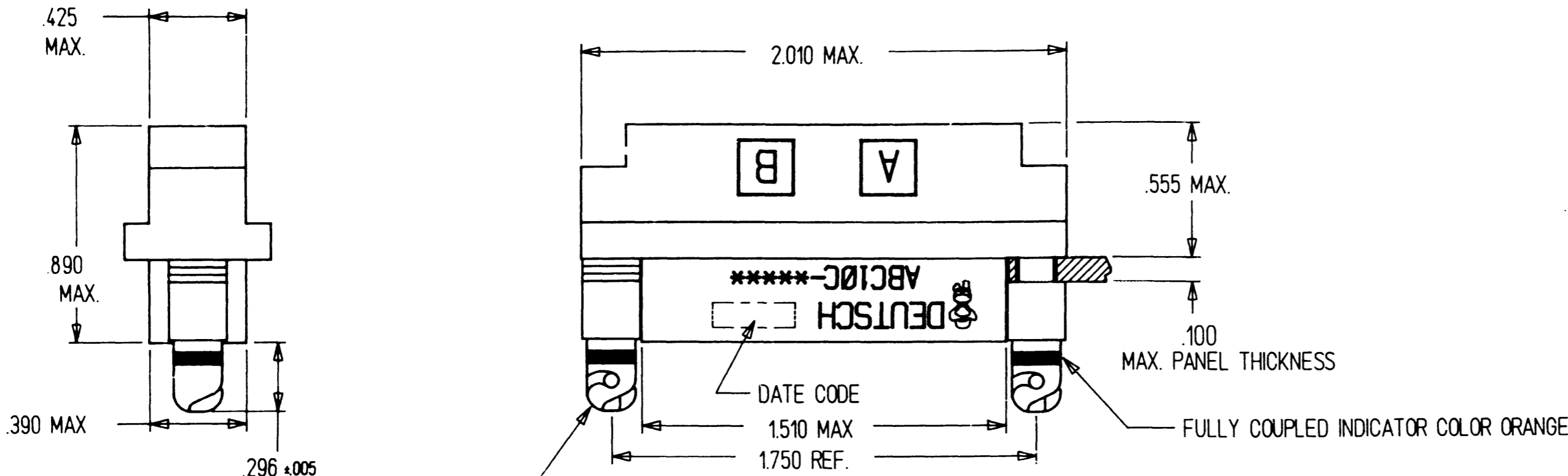
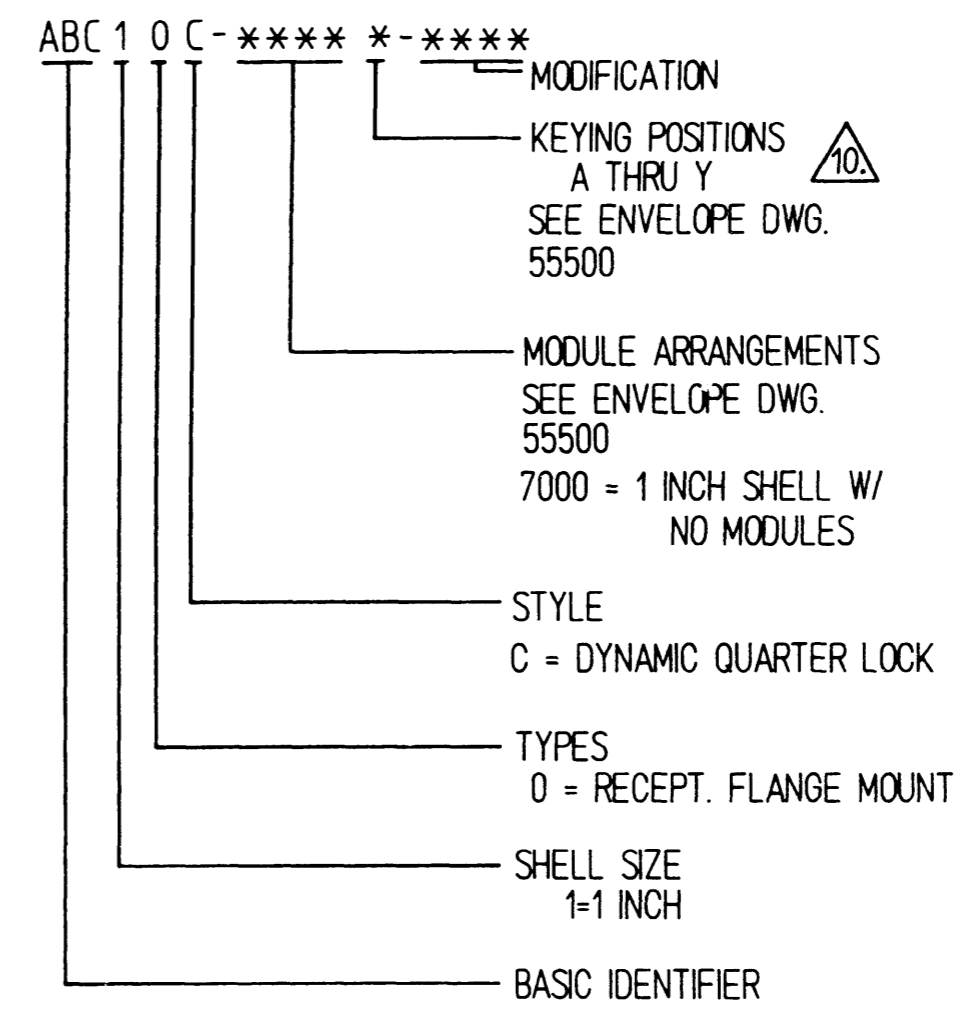
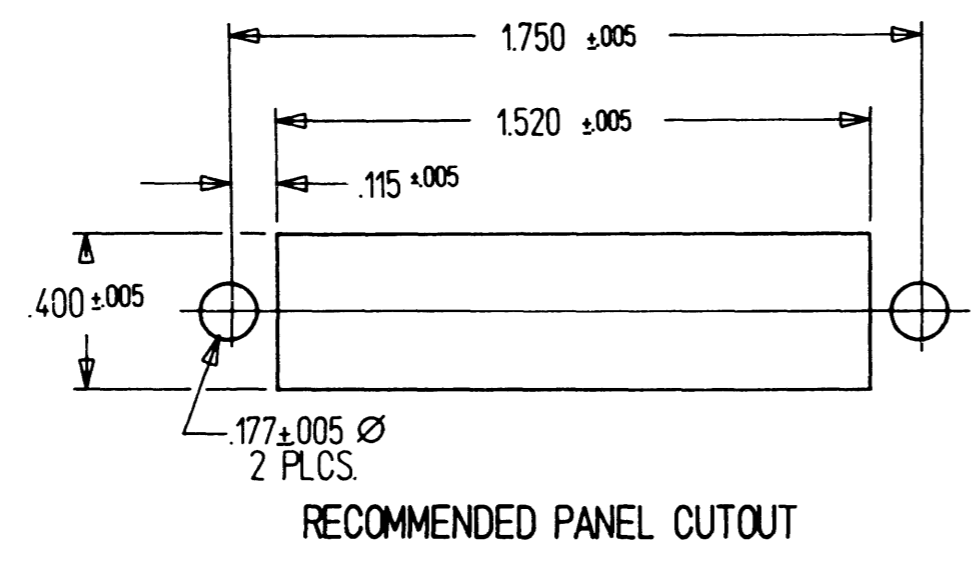
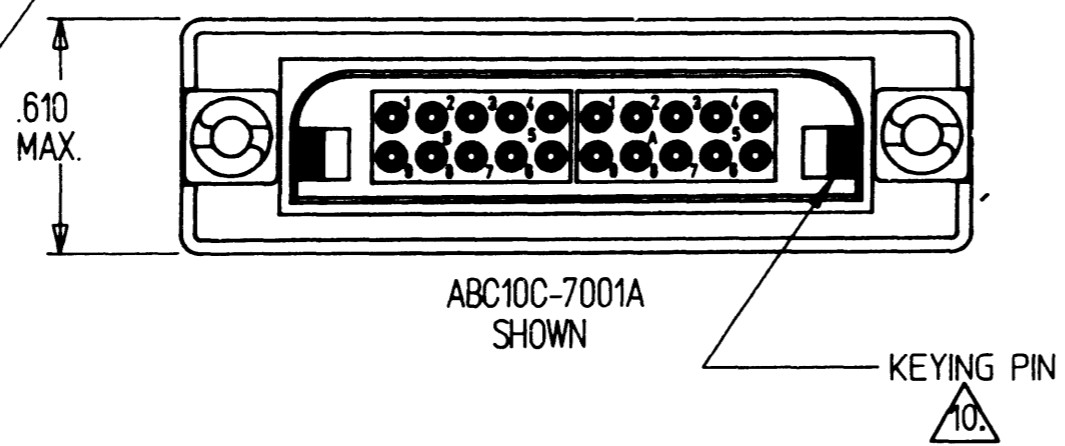


A	ABC10C-*****	REV	DESCRIPTION	DATE	APPROVED
		N/C	NEW RELEASE PER E.O. A 9887	6/16/89	L.L.A.
		A	REVISED PER E.O. A10205	11-5-92	g



(MOUNTING DIMENSION)
DIMENSION MUST BE HELD
WHEN CONNECTOR IS IN USE

ALL MOUNTING HARDWARE
AND SELF LOCKING SCREWS
SUPPLIED WITH CONNECTOR



10. WHEN NO LETTER IS CALLED OUT, KEYING PINS ARE SHIPPED LOOSE AND INSTALLED BY THE CUSTOMER EXAMPLE P/N: ABC10C-7000. IF LETTER A-Y IS CALLED OUT FACTORY INSTALLS KEYING PINS EXAMPLE P/N: ABC10C-7000A.

9. SEALING CAPABILITIES:
15 P.S.I. PRESSURE DIFFERENTIAL.
8. PANEL SEALING GASKET SUPPLIED.
7. FOR INSERT ARRANGEMENTS AND KEYING POSITIONS SEE ENVELOPE DRAWING 55500.
6. SEE DEUTSCH ENVELOPE DRAWINGS FOR CRIMP TOOL AND POSITIONER AND SOCKET CONTACTS 12336-** AND PIN CONTACTS 12331-**.
5. MATES WITH ABC PLUG CONNECTOR.
4. FINISH: SHELL DEUTSCH SPECIAL METALIZED SURFACE.
3. MATERIAL: SHELL COMPOSITE MATERIAL.
METAL COMPONENTS STAINLESS STEEL.
GASKET SILICONE.
2. FOR AVAILABILITY CONSULT FACTORY.
1. DIMENSIONS ARE IN INCHES UNLESS OTHERWISE SPECIFIED.

SIGNATURE & DATE		RECEPTACLE 1 INCH FLANGE MOUNTING DYNAMIC QUARTER LOCK COUPLING ABC CONNECTOR ENVELOPE	CP	MATL CODE
DR	TIM HOLT 5/3/89		DEUTSCH ENGINEERED CONNECTING DEVICES Municipal Airport Banning, California	
CHK	L.L.A. 6/6/89		C	ABC10C-*****
PE	TIM HOLT 5/3/89			CODE 1139
APPD			DWG SIZE	
SCALE	NONE	WT		

NOTE: