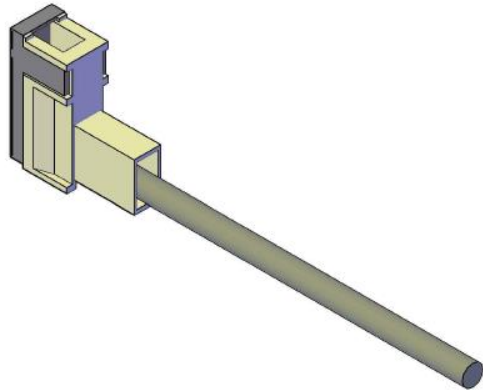
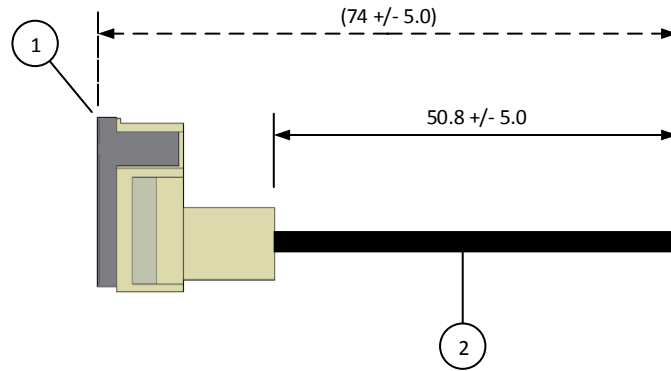
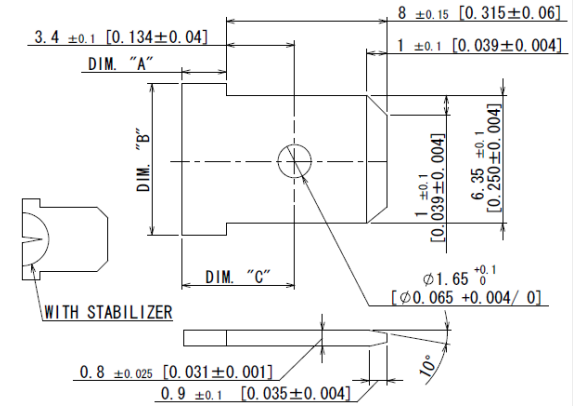


4		3		2		1	
ITEM	CONNECTOR PART NO.	DESCRIPTION	IPI CHECK	EOR CHECK	Applicable Tooling		
1	RARSP-1V-00 & RARSFC-1V	1 POS RIGHT-ANGLE RSF HOUSING & COVER			APPLICATOR		
1	RASRSF-61T-250A	RIGHT-ANGLE RSF TERMINAL – BRASS TIN-PLATED			SUGGESTED MATING TAB		
2	UL1015, 16 AWG	BLACK					

	WITHOUT STABILIZER	WITH STABILIZER
DIM. "A"	2.20 [0.087] MIN	4.20 ±0.15 [0.165 ±0.006]
DIM. "B"	7.40 [0.291] MIN	7.98 [0.314] MIN
DIM. "C"	5.90 [0.232] MAX	(7.6)



**JST**

SCALE	CUSTOMER NAME	CUSTOMER PART NO.
1:1		
DIMENSIONS	DESCRIPTION	
All dimensions are in MM with a tolerance of +/- 3.0 unless otherwise specified.	2" INSIDE LENGTH – 1 POSITION, LIF, POS LOCK, .250, FLAG, SINGLE-END ASSY, BRASS TIN-PLATED, BLUNT LEAD, F	
DRAWN BY	ASSEMBLY PART NO.	
STEVEN PILKINGTON	A01RARSP16K51B	
CHECKED BY	DRAWING NO. & REVISION	REVISED
JUSTIN BAKER	GAM-148	3/16/2016

REV.	DESCRIPTION	DATE	BY