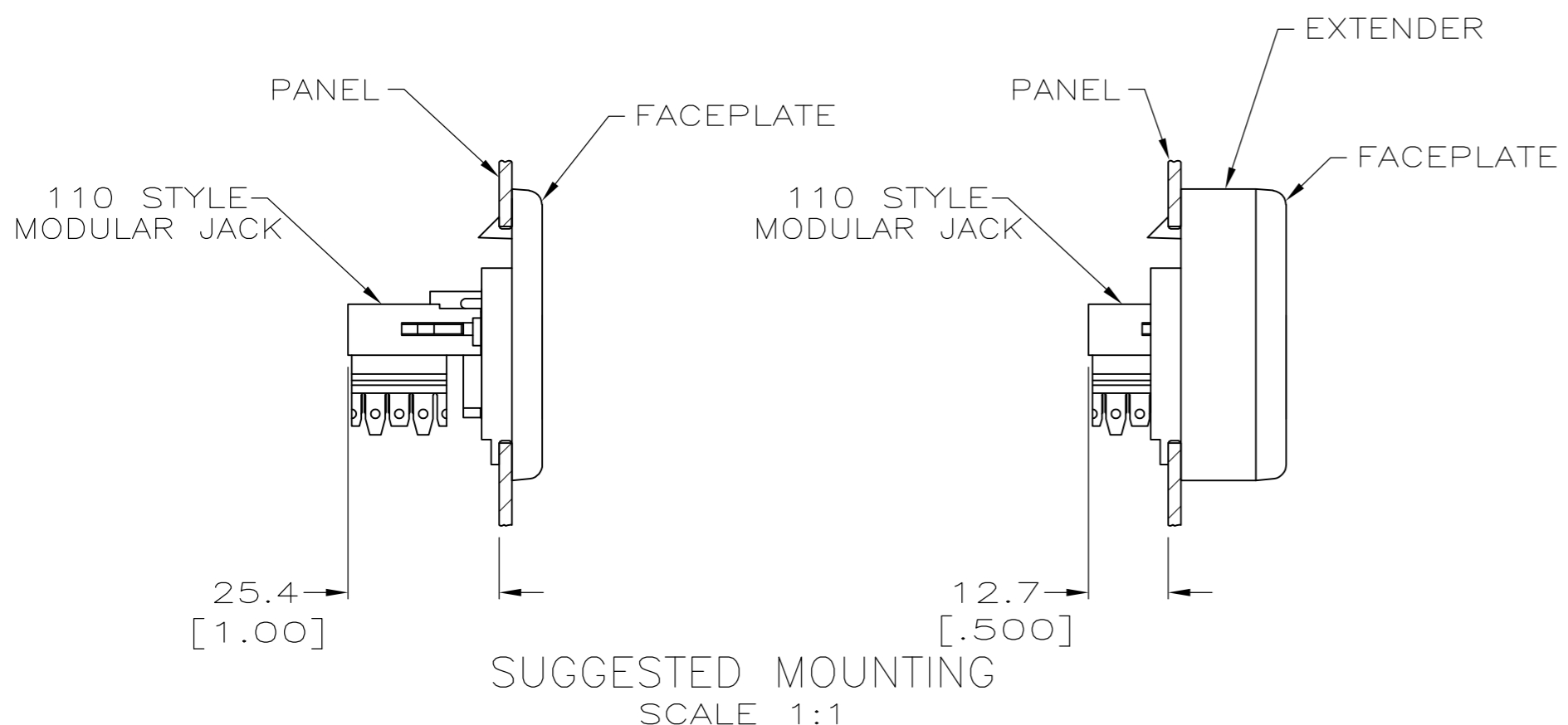
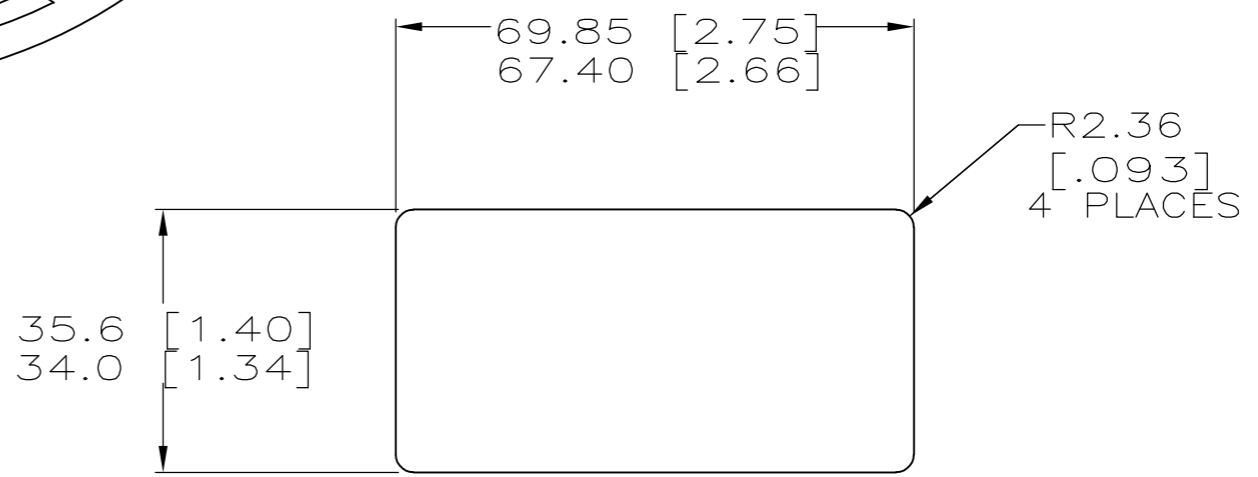
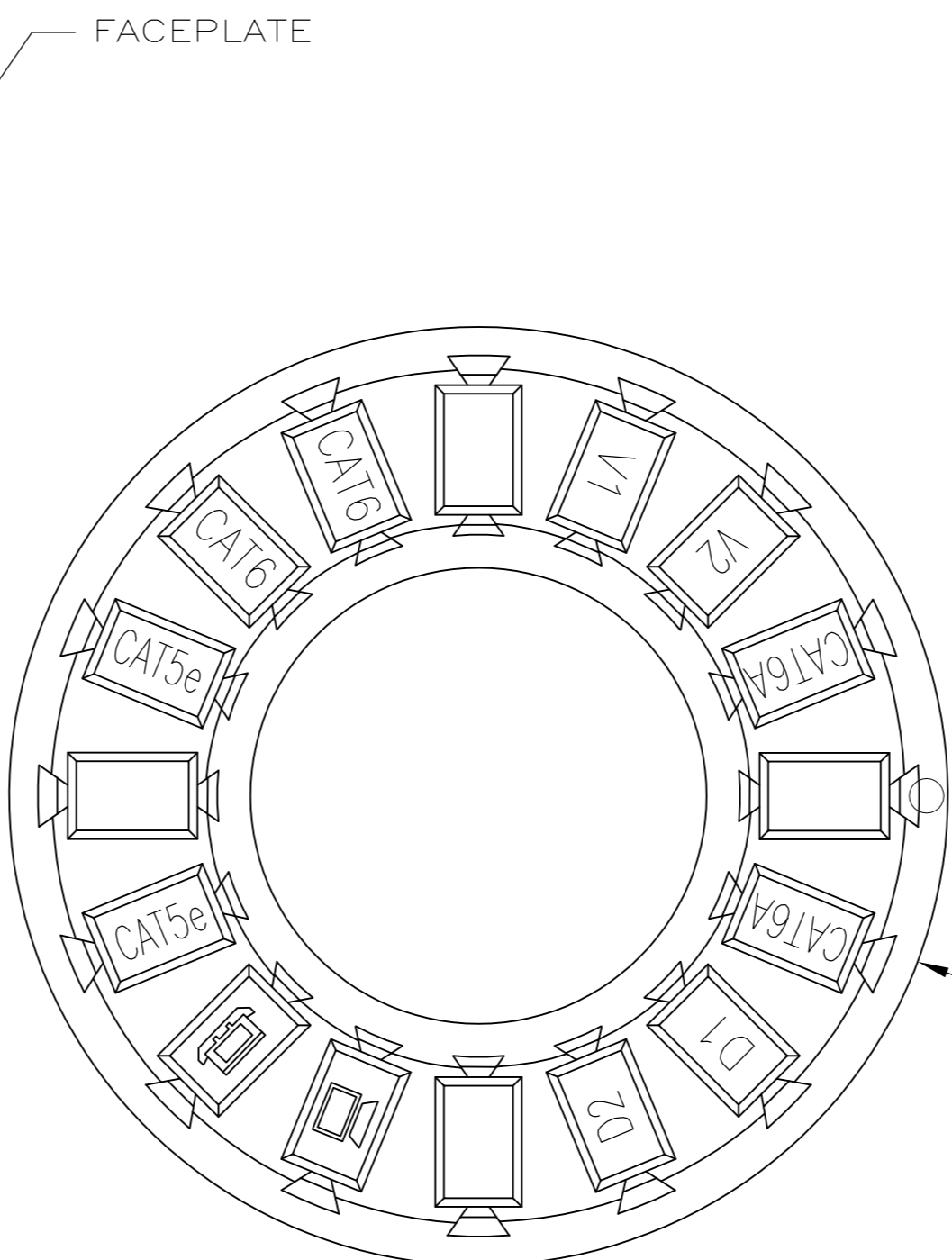
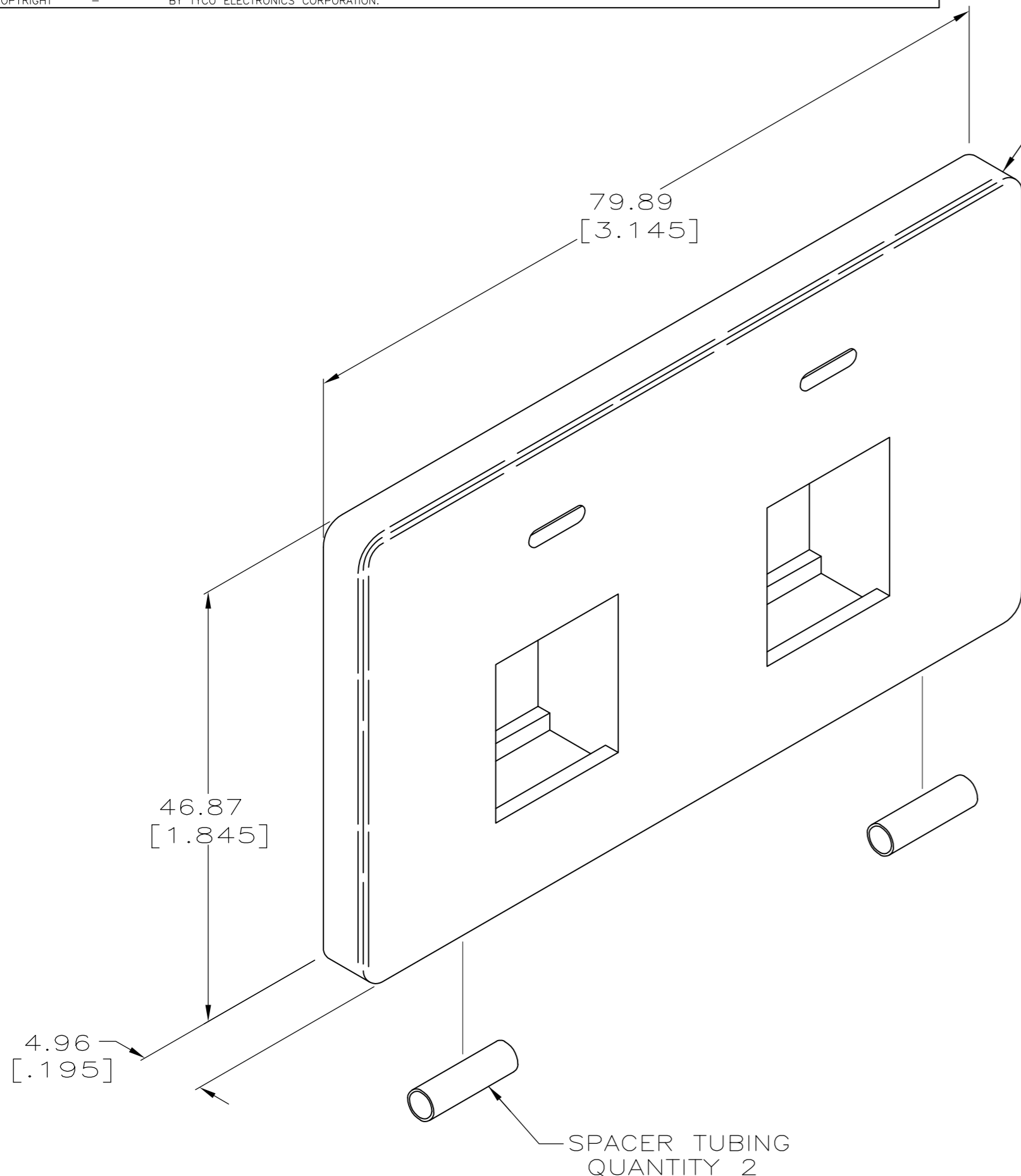


THIS DRAWING IS UNPUBLISHED. RELEASED FOR PUBLICATION
 © COPYRIGHT BY TYCO ELECTRONICS CORPORATION. ALL INTERNATIONAL RIGHTS RESERVED.

LOC	DIST	REVISIONS					
		P	LTR	DESCRIPTION	DATE	DWN	APVD
HM	00		E	REV ECO-09-023706	22OCT09	LH	RA
			F	REV ECO-10-011451	01JUN2010	LH	RA



- 1 MATERIAL: FACEPLATE- POLYCARBONATE MOLDING COMPOUND, SEE TABLE FOR COLORS. ICON- ABS MOLDING COMPOUND, BLACK. SPACER TUBE- POLYOLEFIN, BLACK.
- 2 DIMENSIONS ARE MAXIMUM UNLESS OTHERWISE SPECIFIED.
- 3. THE FACEPLATE CAN BE INSTALLED INTO PANELS WHICH ARE 2.03 [.080] TO 1.14 [.045] THICK.

NEMA GRAY	558106-4
LT ALMOND	558106-2
BLACK	558106-1
COLOR	PART NO.

THIS DRAWING IS A CONTROLLED DOCUMENT.		DWN M.D.BYERLY 6-30-93	Tyco Electronics Corporation Harrisburg, PA 17105-3608	
DIMENSIONS: MM [INCHES]		CHK C.WHITT 8-4-93		
TOLERANCES UNLESS OTHERWISE SPECIFIED:		APVD -	NAME	
0 PLC ± -	1	PRODUCT SPEC	FACEPLATE KIT, 2 PORT, 110CONNECT, FLUSH MOUNT FLEX MODE	
1 PLC ± -	2	APPLICATION SPEC	SIZE A2	CAGE CODE 00779
2 PLC ± -	3	408-3317	DRAWING NO C=558106	RESTRICTED TO
3 PLC ± -	4	WEIGHT -	SCALE 2:1	SHEET 1 of 1
4 PLC ± -	ANGLES ± -	CUSTOMER DRAWING	REV F	
FINISH -				